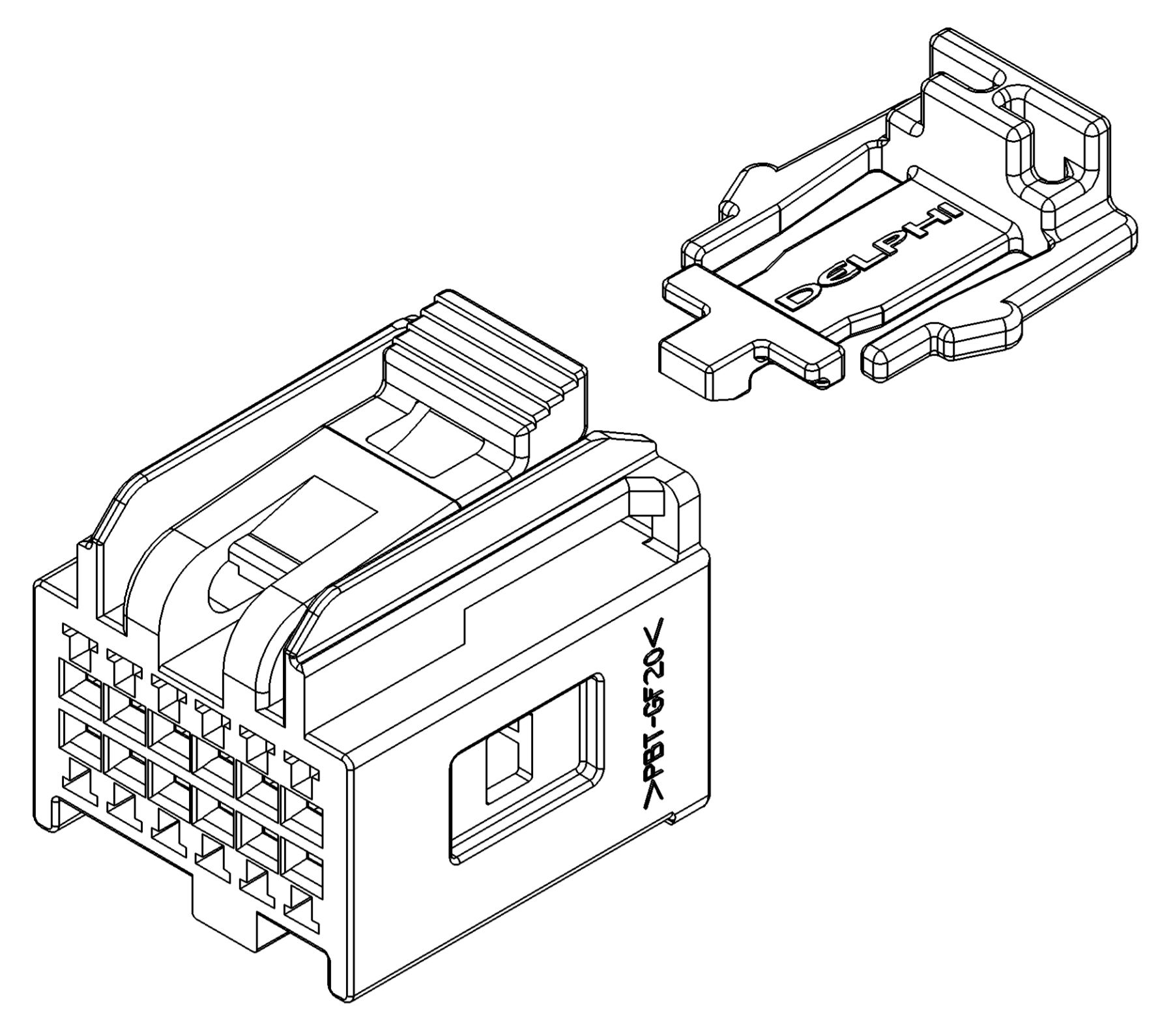
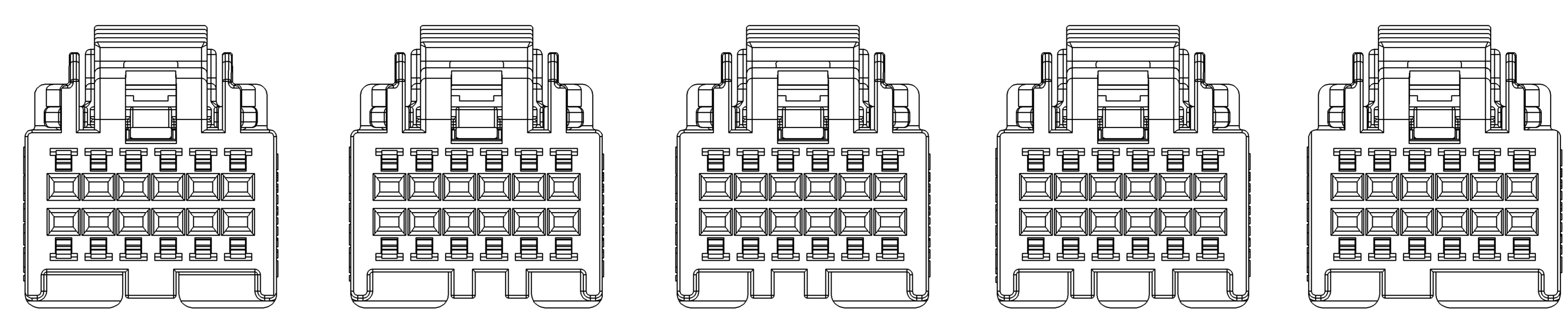


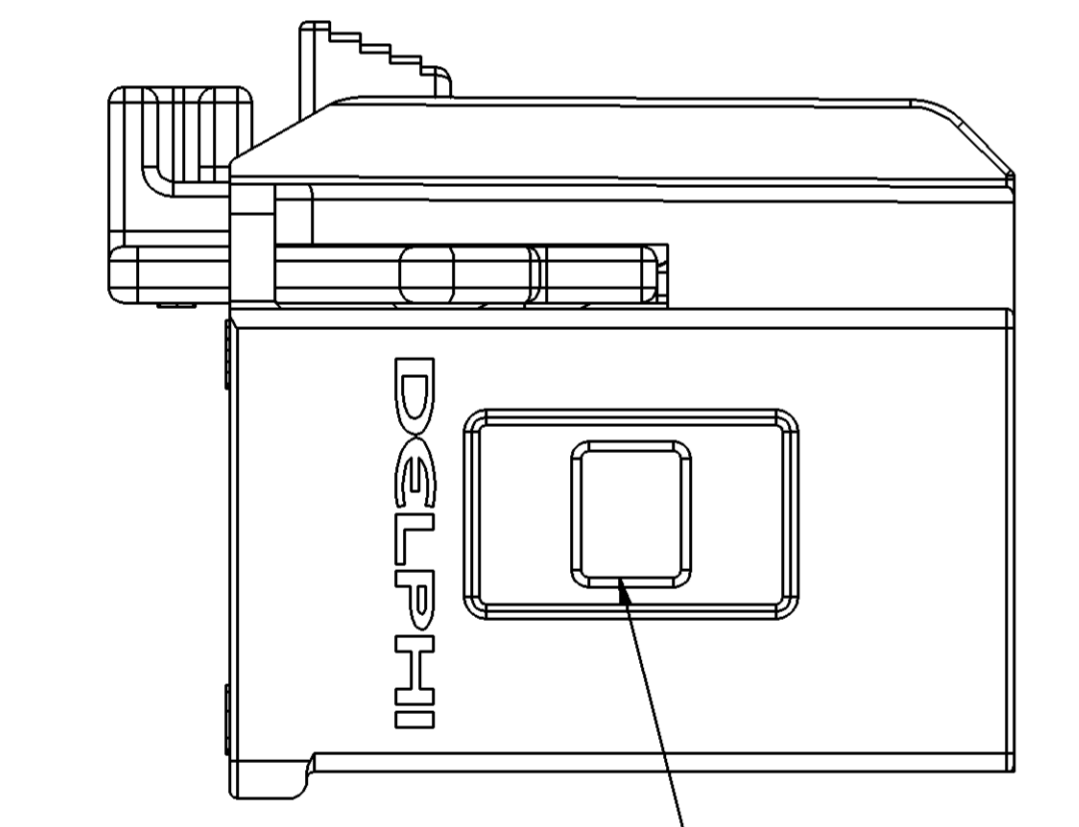
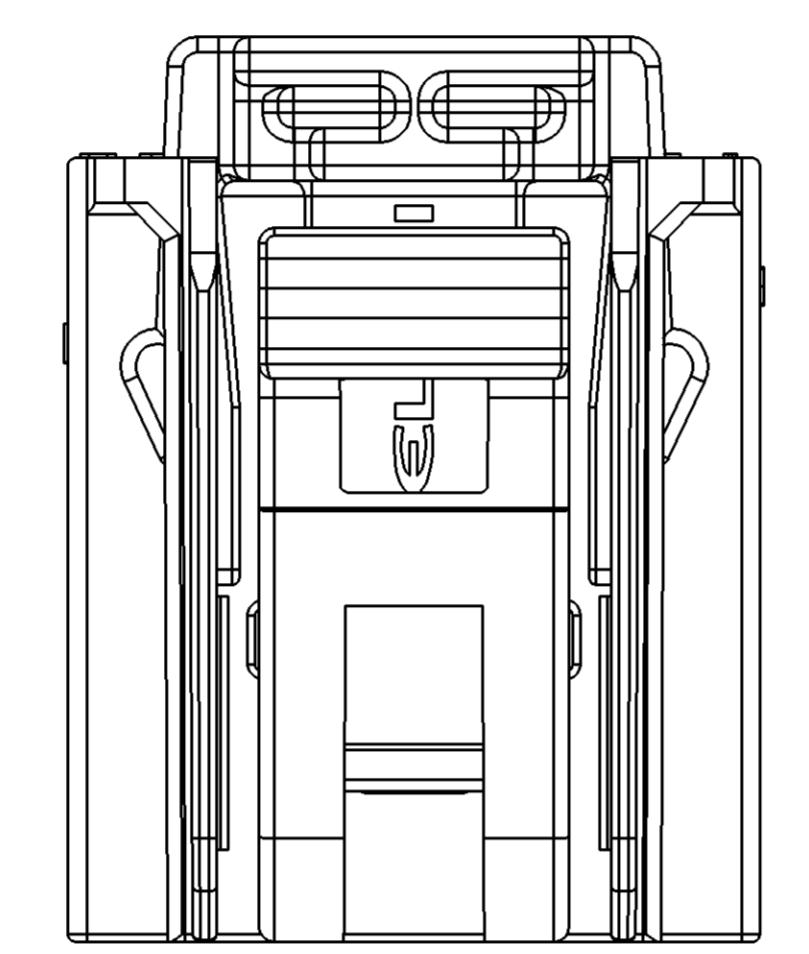
SYMBOL DEFINITION		MISSING SYMBOLS		DATE				REVISION HISTORY				AUTH		DR		APVD		
A DIMENSION WITHOUT AN INSPECTION REPORT SYMBOL DOES NOT REQUIRE INSPECTION. IT MAY BE CONTROLLED ON THE INDIVIDUAL COMPONENT DRAWING.	TOTAL NO OF INSPECTIONS REQUIRED	NO MISSING SYMBOL NUMBER		07N003	R	01	-	-	-	-	-	-	-	-	248034	DAD	DAD	NLN
	LAST NO. USED			18FE04	-	02	-	-	-	-	-	-	-	-	252066	END	END	NLN



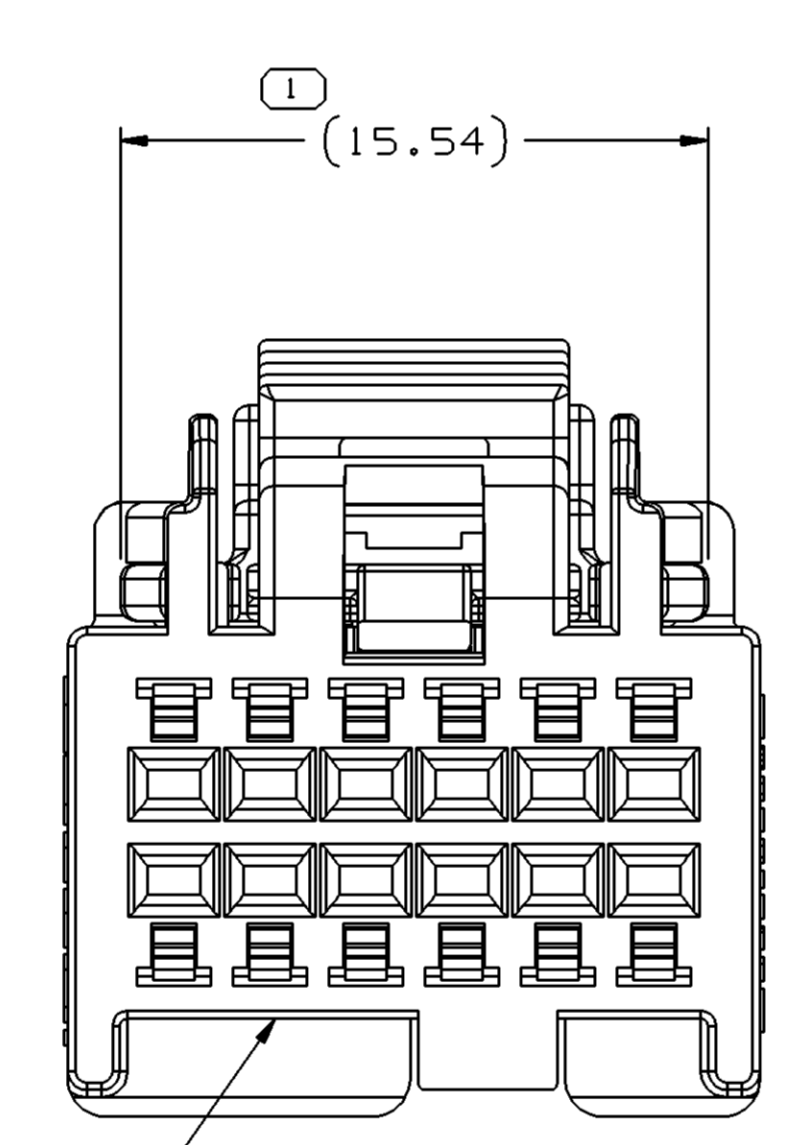
EXPLODED ASSEMBLY VIEW



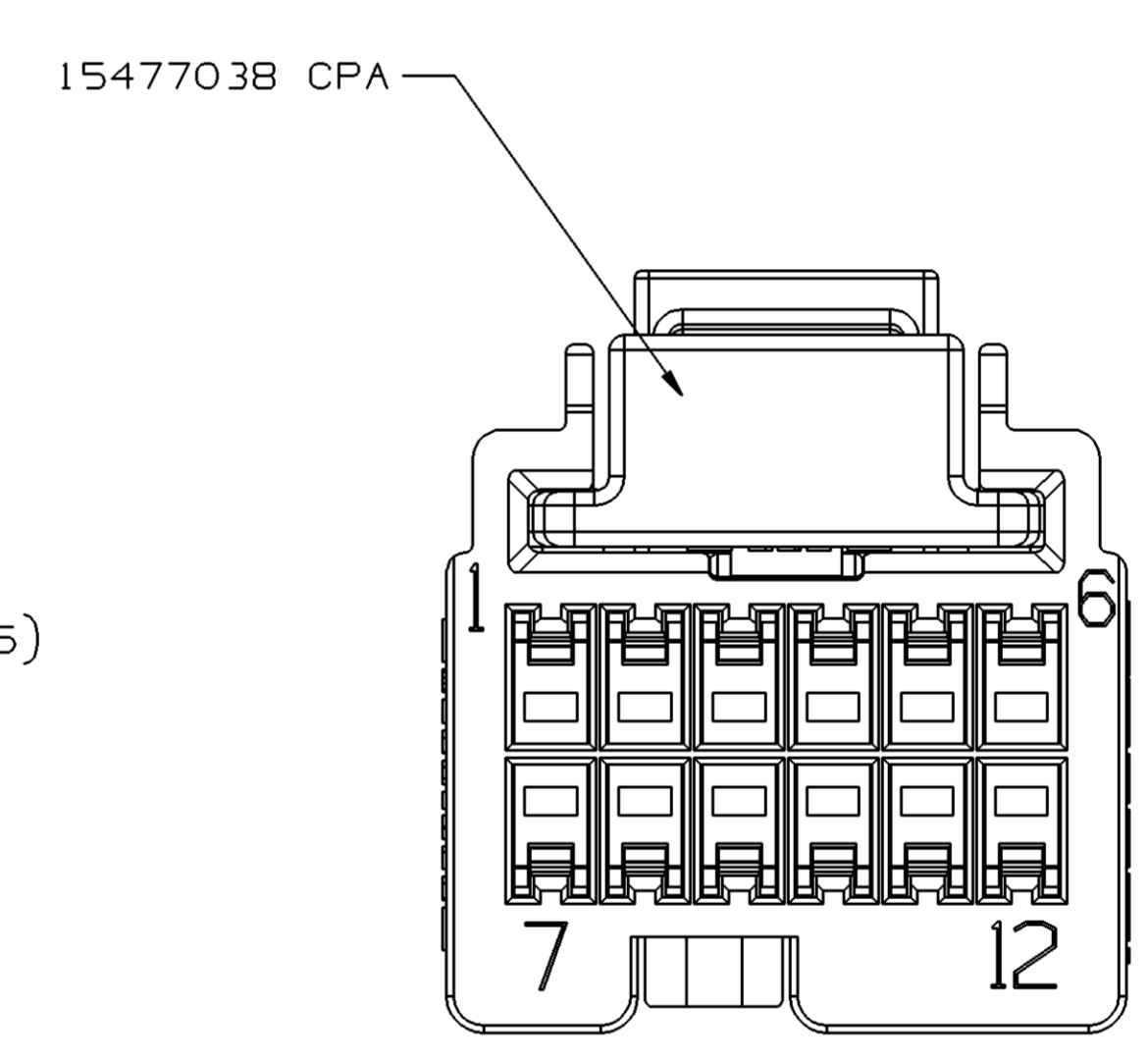
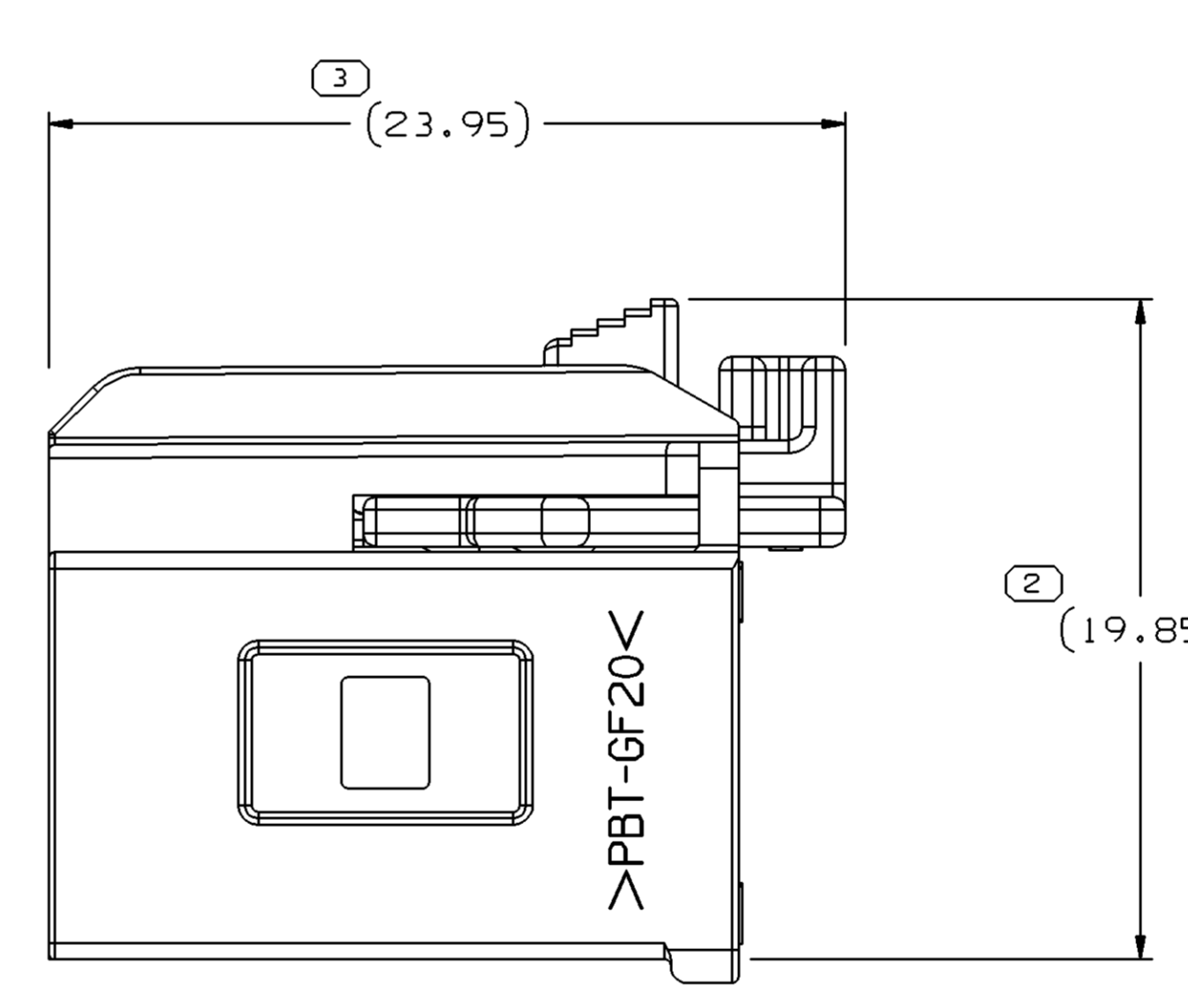
TYPE 102 SAME AS TYPE 101 EXCEPT AS SHOWN
 TYPE 103 SAME AS TYPE 101 EXCEPT AS SHOWN
 TYPE 104 SAME AS TYPE 101 EXCEPT AS SHOWN
 TYPE 105 SAME AS TYPE 101 EXCEPT AS SHOWN
 TYPE 106 SAME AS TYPE 101 EXCEPT AS SHOWN



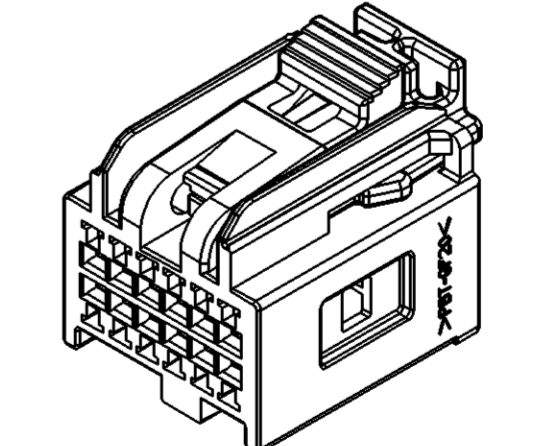
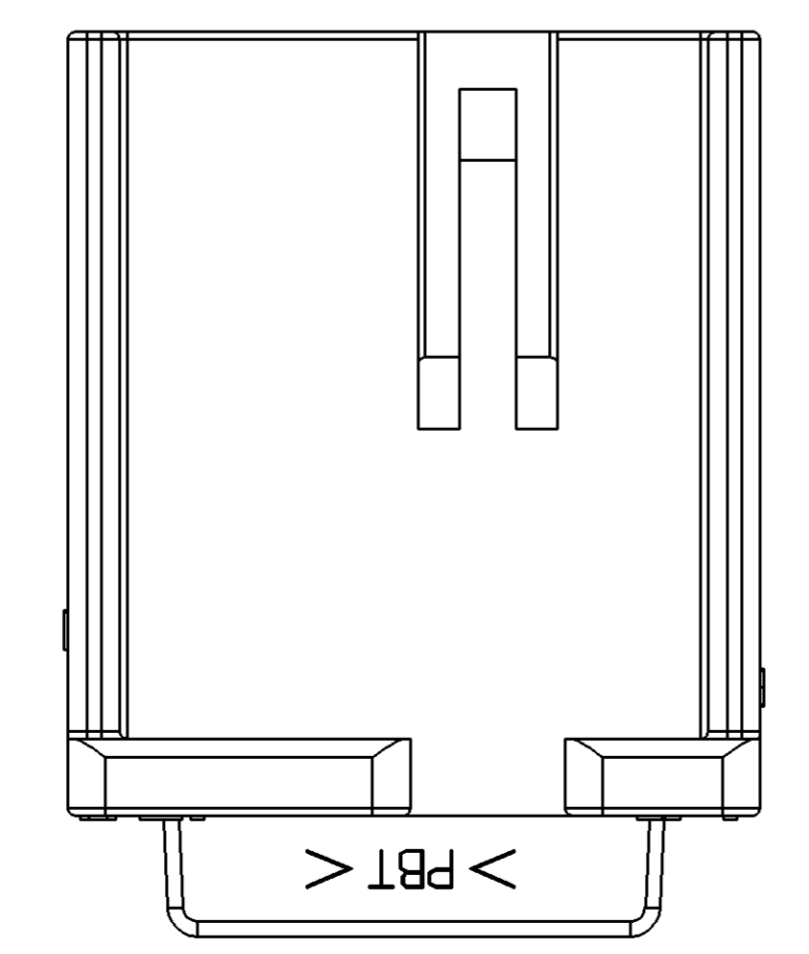
RECOMMENDED SIDE FOR SECONDARY LOCK INSERTION.



TYPE 101



15477038 CPA



VIEW SCALE DOES NOT REFLECT ACTUAL PART SIZE

- NOTES
- UNLESS OTHERWISE SPECIFIED AND/OR INDICATED: DIMENSIONS ARE TO FACE OF VIEW SHOWN AND AUTOMATICALLY ROUNDED BY COMPUTER FOR INSPECTION (SEE MATH MODEL FOR PRECISE DIMENSIONS). FOR ALL OTHER DIMENSIONS NOT SHOWN BUT REQUIRED FOR TOOL BUILD, SEE MATH MODEL FOR PRECISE TOOL PATH DATA.
 - SEALING CODE 0 - UNSEALED
 - THIS PART ACCEPTS THE FOLLOWING COMPONENTS OR EQUIVALENT:
 TERMINAL 15445904
 SECONDARY TERMINAL LOCK 15477037
 - MAXIMUM INSULATION CRIMP WIDTH: 1.9mm
 MAXIMUM INSULATION CRIMP HEIGHT: 2.8mm
 - ASSEMBLY VALIDATED PER SAE/USCAR-2 APRIL 2001:
 TEMPERATURE CLASS 1, VIBRATION FOR COMPONENTS NOT COUPLED TO ENGINE.
 - SAE/USCAR-2 APRIL 2001: 5.4.4 - CPA ENGAGE FORCE: 11-30N
 - SAE/USCAR-2 APRIL 2001: 5.4.4 - SECONDARY LOCK DISENGAGE FORCE: 15-63N
 - MATING CONNECTOR REQUIREMENTS PER ESD30451.

PART NO	REV	N/P	STATUS	TYPE	CONNECTOR	CONNECTOR COLOR	USCAR TYPE	MATING CONNECTOR OR EQUIVALENT
15483213	02	-	-	106	15483206	NATURAL	F	15423733
15483212	02	-	-	105	15483205	DARK BLUE	E	15423732
15483211	02	-	-	104	15483204	GREEN	D	15423731
15483210	02	-	-	103	15483203	BROWN	C	15423730
15483209	02	-	-	102	15483202	GRAY	B	12423729
15483208	02	-	-	101	15477027	BLACK	A	15423728

DOW TYPE		PART DRAWING	
STYLE		DISTR CODE	D
VOLUME (CM³)		ROUTING	6900
UNLESS OTHERWISE SPECIFIED			
THIS DOCUMENT IS IN ACCORDANCE WITH ASME Y14.5M-1994 AS AMENDED BY THE 2003 DIMENSIONING AND TOLERANCING ADDENDUM - 1997. ALL GEOMETRIC TOLERANCES AND RELATED DATUM APPLICABLE TO THIS DRAWING ARE UNLESS OTHERWISE SPECIFIED.			
MFG DOES NOT APPLY WHEN RELATIONSHIP BETWEEN FEATURES IS ESTABLISHED BY ORIENTATION OR LOCATION TOLERANCES. SEPARATE POSITION DATUMS MAY BE GAGED SEPARATELY, REGARDLESS OF DATUM REFERENCE.			
ALL DIMENSIONS ARE IN MILLIMETERS			
REFERENCE		THIRD ANGLE PROJECTION	
DO NOT SCALE		USE MATH DATA	
R 0.1 MAX SHARP CORNER TOLERANCE		R 0.2 MAX	
DIMENSIONAL RANGE (MM)		CHART E1	
FROM	TO	TOLERANCE	ANGULAR TOLERANCE
> 0	> 20	±0.3	±1
> 20	> 30	±0.4	±1
> 30	> 70	±0.5	±1
> 70	> 100	±0.6	±1
> 100	> 150	±0.8	±1
> 150	> 200	±1.0	±1
> 200	> 250	±1.2	±1
> 250	> 300	±1.5	±1
> 300	> 400	±2.0	±1

DELPHI
 DELPHI PACKARD ELECTRIC SYSTEMS
 WARREN, OH

DR	DATE
APVD1 DAVE DEVILLE	07N003
APVD2 DAVE DEVILLE	07N003
APVD3 NICOLE NAMISH	07N003
APVD4	
APVD5	

MATERIAL: SEE DRAWING

DRAWING NAME: TAXI ASM CONN F MICRO HVT

DRAWING NUMBER: 15483207

SIZE: A0 SCALE: 5:1 FRAME NO: 1 OF 1 SHEET NO: 1 OF 1 REV: 02