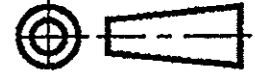


DO NOT SCALE  
DIMENSIONS IN mm

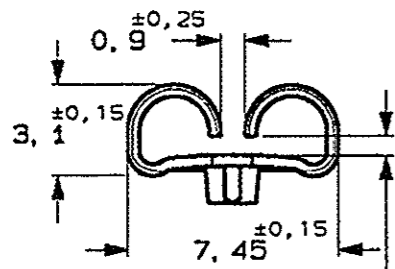
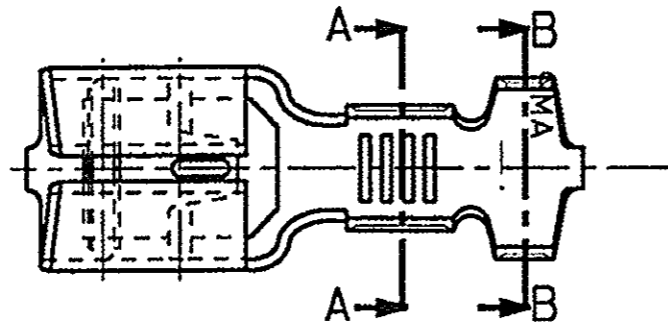
METRIC

THIRD ANGLE  
PROJECTION

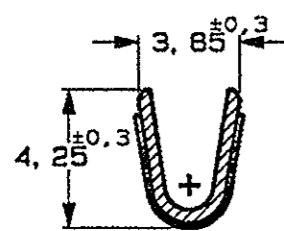
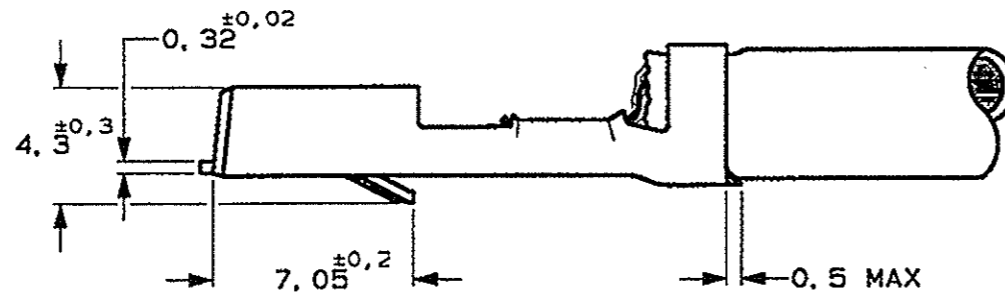
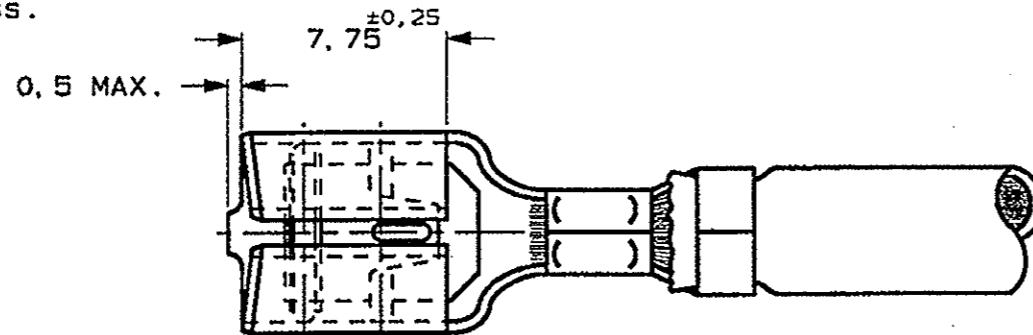
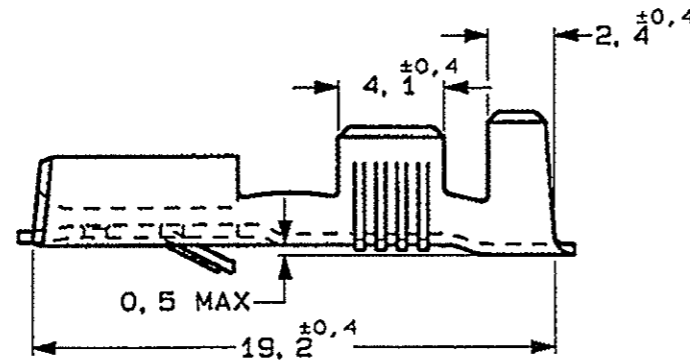


NOTES

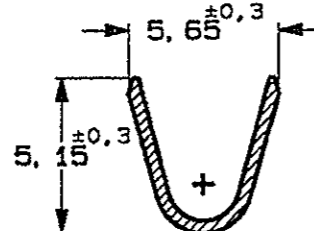
- 1 FOR USE ON MINIATURE APPLICATORS ( LEFT-RIGHT FEED ) AND STANDARD APPLICATORS ( RIGHT-LEFT FEED ).
- 2 FOR USE ON MINIATURE APPLICATORS (AMP-O-MATOR APPLICATION ). ( LEFT-RIGHT FEED ).
- 3 BRASS ACC ASTM B36 ALLOY 260.
- 4 PH.BRONZE ACC ASTM B103.
- 5 GAGE 0,71 MUST NOT ENTER, GAGE 0,51 MUST ENTER.



5 for 0.8mm tab thickness.



SECTION A-A



SECTION B-B

WIRE RANGE :  
1,0-2,5 mm<sup>2</sup>  
INSULATION RANGE :  
3,4-5,1mm DIA.

DIRECTION OFF TOP OF REEL



Terminal "U" down.

SILVER	6-160448-6	BRASS	6-160449-6
TIN	6-160448-5	BRASS	6-160449-5
SILVER	6-160448-3	PH.BRONZE	6-160449-3
TIN	6-160448-2/6--8	PH.BRONZE	6-160449-2
PLAIN	6-160448-1	PH.BRONZE	6-160449-1
PLAIN	6-160448-0/6--7	BRASS	6-160449-0
PLATING	STRIPNUMBER	MATERIAL	PARTNUMBER

CUSTOMER DRAWING FOR REFERENCE ONLY  
WILL NOT BE UPDATED

THIS DRAWING IS UNPUBLISHED  
RELEASED FOR PUBLICATION . 19



NAME  
.250 SRS FASTIN-ON RECEPTACLE.

A2	REVISED PER ECO-11-005140	RK	HMR	31MAR11
LTR.	REVISION RECORD	DR.	CHK.	DATE
DR.:	D. KESSLER	CHK.:	P. BETJON	APP.:
DATE:	19 JAN 95	DATE:	-	DATE:
				L.V.SOEST

DWG.No.	160449	R	REV.LTR.	A2	SHEET	1 OF 1	A3
---------	--------	---	----------	----	-------	--------	----