

1551574-5 ✓ ACTIVE

TE Internal #: 1551574-5

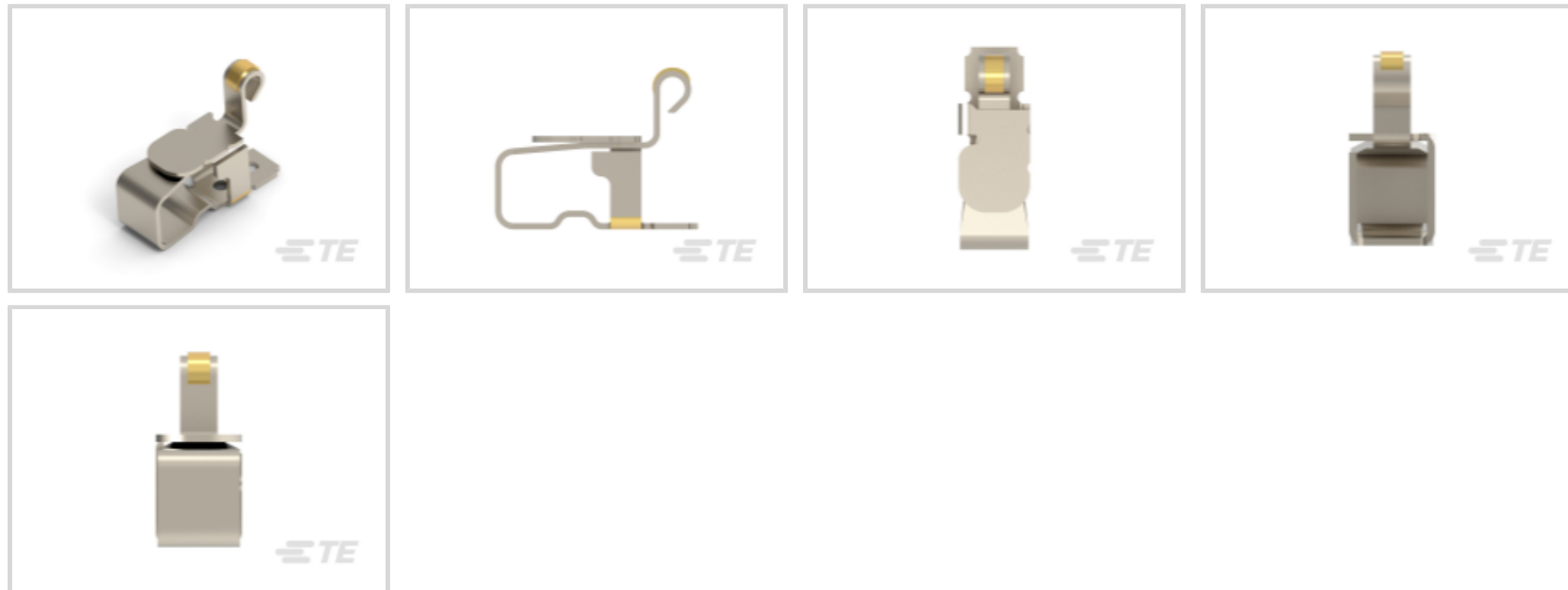
PCB Spring Contact, Preloaded - C-Clip, Scalable, Uncompressed

Height 2.6 mm [.102 in], Length .128 in [3.26 mm], Width 1.15 mm [.045 in]

[View on TE.com >](#)



Connectors > PCB Connectors > Board-to-Board Connectors > PCB Spring Contacts



Spring Finger Type: **Preloaded - C-Clip**

Scalable: **Yes**

Side Protected: **No**

Uncompressed Height: **2.6 mm [.102 in]**

Contact Length: **3.26 mm [.128 in]**

Features

Product Type Features

Spring Finger Type	Preloaded - C-Clip
Scalable	Yes
Connector System	Board-to-Board
Sealable	No
Connector & Contact Terminates To	Printed Circuit Board

Configuration Features

Side Protected	No
Number of Positions	1

Contact Features

Contact Underplating Material	Nickel
PCB Contact Termination Area Plating Material	Gold
Contact Base Material	Stainless Steel
Contact Length	3.26 mm[.128 in]
Contact Width	1.15 mm[.045 in]



Contact Working Range (Low)	1.7 mm[.067 in]
-----------------------------	-----------------

Contact Working Range (High)	2.3 mm[.091 in]
------------------------------	-----------------

Point of Contact Area Plating Material	Gold
--	------

Contact Current Rating (Max)	.5 A
------------------------------	------

Dimensions

Uncompressed Height	2.6 mm[.102 in]
---------------------	-----------------

Usage Conditions

Operating Temperature Range	-40 – 85 °C[-40 – 185 °F]
-----------------------------	---------------------------

Operation/Application

Circuit Application	Signal
---------------------	--------

Packaging Features

Packaging Quantity	4500
--------------------	------

Packaging Method	Tape & Reel
------------------	-------------

Product Compliance

[For compliance documentation, visit the product page on TE.com>](#)

EU RoHS Directive 2011/65/EU	Compliant
------------------------------	-----------

EU ELV Directive 2000/53/EC	Compliant
-----------------------------	-----------

China RoHS 2 Directive MIIT Order No 32, 2016	No Restricted Materials Above Threshold
---	---

EU REACH Regulation (EC) No. 1907/2006	Current ECHA Candidate List: JUNE 2022 (224) Candidate List Declared Against: JAN 2022 (223) SVHC > Threshold: Not Yet Reviewed
--	--

Halogen Content	Low Halogen - Br, Cl, F, I < 900 ppm per homogenous material. Also BFR/CFR/PVC Free
-----------------	---

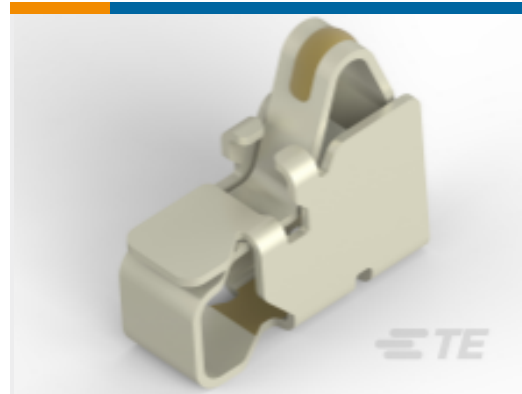
Solder Process Capability	Not reviewed for solder process capability
---------------------------	--

Product Compliance Disclaimer

This information is provided based on reasonable inquiry of our suppliers and represents our current actual knowledge based on the information they provided. This information is subject to change. The part numbers that TE has identified as EU RoHS compliant have a maximum concentration of 0.1% by weight in homogenous materials for lead, hexavalent chromium, mercury, PBB, PBDE, DBP, BBP, DEHP, DIBP, and 0.01% for cadmium, or qualify for an exemption to these limits as defined in the Annexes of Directive 2011/65/EU (RoHS2). Finished electrical and electronic equipment products will be CE marked as required by Directive 2011/65/EU. Components may not be CE marked. Additionally, the part numbers that TE has identified as EU ELV compliant have a maximum concentration of 0.1% by weight in homogenous materials for lead, hexavalent chromium, and mercury, and 0.01% for cadmium, or qualify for an exemption to these limits as defined in the Annexes of Directive 2000/53/EC (ELV). Regarding the REACH Regulation, the information TE provides

on SVHC in articles for this part number is based on the latest European Chemicals Agency (ECHA) 'Guidance on requirements for substances in articles' posted at this URL: <https://echa.europa.eu/guidance-documents/guidance-on-reach>

Compatible Parts

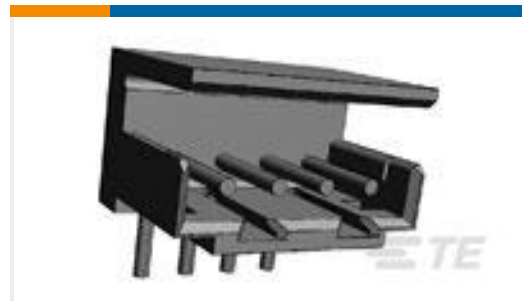


TE Part # 2108614-5
2.7H SPRING FINGER WITH EMOSS



TE Part # 2388202-1
Shield Finger, 3.8mm

Customers Also Bought



TE Part #1-292250-0
CT P/HDR BOX H ASSY 10P W/KINK



TE Part #1-331677-4
SOCKET, MIN-SPR AU SER-3



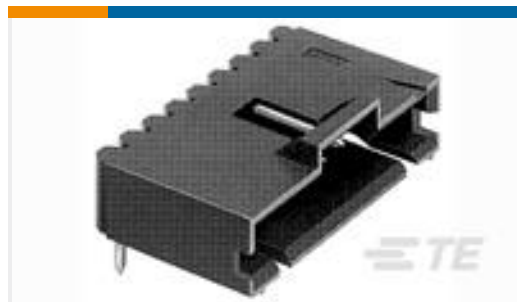
TE Part #5553811-3
ASSY, EMI RCPT, 24 POSN, SCR LK



TE Part #5-103673-2
3 MTE HDR SRRA LATCH W/HLDWN



TE Part #1827625-1
SHIELD FINGER 3014 ANTI OVER STRESS TYPE



TE Part #6-103634-1
12 MTE HDR SRRA LTCH. 100CL LF



TE Part #3-2199250-2
TYPE C 2.9H SPRING FINGER



TE Part #5415025-2
JACK, RTANG, PCB, 50 OHM, BNC



TE Part #1775333-6
ZIF FPC 0.5, 2H, 6P

Documents

Product Drawings
Shield Finger, Loose Piece
English



CAD Files

Customer View Model

[ENG_CVM_CVM_1551574-5_B.2d_dxf.zip](#)

English

3D PDF

3D

Customer View Model

[ENG_CVM_CVM_1551574-5_B.3d_igs.zip](#)

English

Customer View Model

[ENG_CVM_CVM_1551574-5_B.3d_stp.zip](#)

English

By downloading the CAD file I accept and agree to the [Terms and Conditions](#) of use.

Datasheets & Catalog Pages

[Spring Fingers Quick Reference Guide](#)

English

Product Specifications

[Product Specification](#)

English

Product Environmental Compliance

[MD_1551574-5_08302017233_dmtec](#)

English

[MD_1551574-5_08302017233_dmtec](#)

English