



VAL-U-LOK

TE Internal #: 1586316-2

Power Contacts, Contact, 600 VAC, Gold, 26 – 22 AWG Wire Size, .13 – .33 mm<sup>2</sup> Wire Size, Wire-to-Wire, Wire & Cable, Crimp, Power, Pin

[View on TE.com >](#)

Connectors > Power Connectors > Power Contacts



Power Contact Type: **Contact**

Operating Voltage: **600 VAC**

Contact Mating Area Plating Material: **Gold**

Wire Size: **.13 – .33 mm<sup>2</sup>**

**Features**

**Product Type Features**

Power Contact Type	Contact
Connector System	Wire-to-Wire
Connector & Contact Terminates To	Wire & Cable

**Electrical Characteristics**

Operating Voltage	600 VAC
-------------------	---------

**Contact Features**

Contact Fabrication	Stamped & Formed
Contact Mating Area Plating Material	Gold
Contact Current Rating (Max)	9 A
Contact Type	Pin
Contact Retention Within Housing	With
Mating Square Post Dimension	1.14 mm[.045 in]
Contact Base Material	Brass
Contact Mating Area Plating Material Thickness	.76 μm[30 μin]
Wire Contact Termination Area Plating Thickness	2.54 μm[100 μin]

Wire Contact Termination Area Plating Material	Tin
Wire Contact Termination Area Plating Material Finish	Bright
Contact Orientation	Straight
Contact Underplating Material	Nickel
Contact Underplating Material Thickness	1.27 μm[50 μin]

### Termination Features

Termination Method to Wire & Cable	Crimp
------------------------------------	-------

### Mechanical Attachment

Connector Mounting Type	Cable Mount (Free-Hanging)
Wire Insulation Support	Without

### Dimensions

Wire Size	.13 – .33 mm <sup>2</sup>
Accepts Wire Insulation Diameter Range	1.19 – 1.75 mm[.047 – .069 in]

### Usage Conditions

Operating Temperature Range	-40 – 105 °C[-40 – 221 °F]
-----------------------------	----------------------------

### Operation/Application

Circuit Application	Power
---------------------	-------

### Industry Standards

Glow Wire Rating	Standard Part - Not Glow Wire
VDE Tested	No
Agency/Standard	CSA, UL
CSA File Number	208567
UL Rating	Recognized
UL Flammability Rating	UL 94V-0, UL 94V-2
UL File Number	E28476

### Packaging Features

Packaging Method	Loose Piece
Packaging Quantity	500

### Other

Wire/Cable Type	Discrete Wire
-----------------	---------------

## Product Compliance


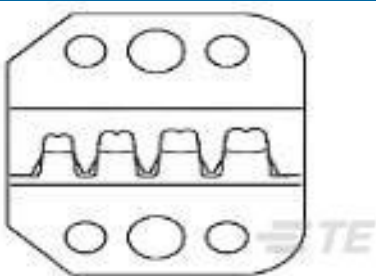

[For compliance documentation, visit the product page on TE.com>](#)

EU RoHS Directive 2011/65/EU	Compliant
EU ELV Directive 2000/53/EC	Compliant
China RoHS 2 Directive MIIT Order No 32, 2016	No Restricted Materials Above Threshold
EU REACH Regulation (EC) No. 1907/2006	Current ECHA Candidate List: JUNE 2022 (224) Candidate List Declared Against: JAN 2022 (223) SVHC > Threshold: Not Yet Reviewed
Halogen Content	Low Halogen - Br, Cl, F, I < 900 ppm per homogenous material. Also BFR/CFR/PVC Free
Solder Process Capability	Not applicable for solder process capability

### Product Compliance Disclaimer

This information is provided based on reasonable inquiry of our suppliers and represents our current actual knowledge based on the information they provided. This information is subject to change. The part numbers that TE has identified as EU RoHS compliant have a maximum concentration of 0.1% by weight in homogenous materials for lead, hexavalent chromium, mercury, PBB, PBDE, DBP, BBP, DEHP, DIBP, and 0.01% for cadmium, or qualify for an exemption to these limits as defined in the Annexes of Directive 2011/65/EU (RoHS2). Finished electrical and electronic equipment products will be CE marked as required by Directive 2011/65/EU. Components may not be CE marked. Additionally, the part numbers that TE has identified as EU ELV compliant have a maximum concentration of 0.1% by weight in homogenous materials for lead, hexavalent chromium, and mercury, and 0.01% for cadmium, or qualify for an exemption to these limits as defined in the Annexes of Directive 2000/53/EC (ELV). Regarding the REACH Regulation, the information TE provides on SVHC in articles for this part number is based on the latest European Chemicals Agency (ECHA) 'Guidance on requirements for substances in articles' posted at this URL: <https://echa.europa.eu/guidance-documents/guidance-on-reach>

## Compatible Parts

 <p>TE Part # 91387-1 PRO-CRIMPER TOOL &amp; DIE</p>	 <p>TE Part # 91387-2 PRO-CRIMPER DIE(ONLY)</p>	 <p>TE Part # 2-1579021-8 CSV10 4.2 ConnSys</p>
---	--	--

## Customers Also Bought



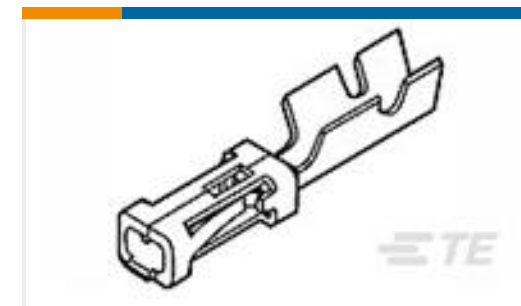
TE Part #52937  
TERMINAL,PIDG SPR SPD 16-14 10



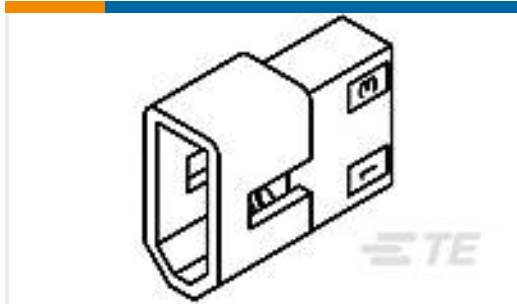
TE Part #1-640251-2  
12P SL156 HSG W/O LCK RAMP



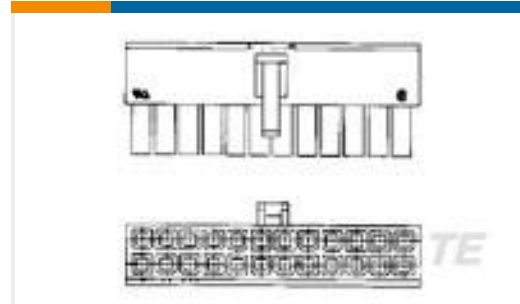
TE Part #87977-4  
12 MODIV HSG DR MRKD .100 POL



TE Part #102128-1  
MOD V RECP LP



TE Part #770340-1  
02P .062 COMM P&S PLUG



TE Part #794954-2  
2P RCPT VAL-U-LOK V2



TE Part #61116-1  
CMNL PIN 24-18 PTBR



TE Part #4-1625885-9  
1W SM M/OX 5% 270K



TE Part #6609037-5  
6EP1=F7173 S0



TE Part #2-36149-4  
TERMINAL,PIDG R IR 20 6

## Documents

### Product Drawings

[VAL-U-LOK PIN BR AU 26-22 LP](#)

English

### CAD Files

Customer View Model

[ENG\\_CVM\\_1586316-2\\_A.3d\\_igs.zip](#)

English

Customer View Model

[ENG\\_CVM\\_1586316-2\\_A.3d\\_stp.zip](#)

English

Customer View Model

[ENG\\_CVM\\_1586316-2\\_A.2d\\_dxf.zip](#)

English

[3D PDF](#)

3D

By downloading the CAD file I accept and agree to the [Terms and Conditions](#) of use.

### Datasheets & Catalog Pages



## SOFT\_SHELL\_PIN\_AND\_SOCKET\_CONNECTORS\_CATALOG

English

---

**Product Specifications**

**Application Specification**

English