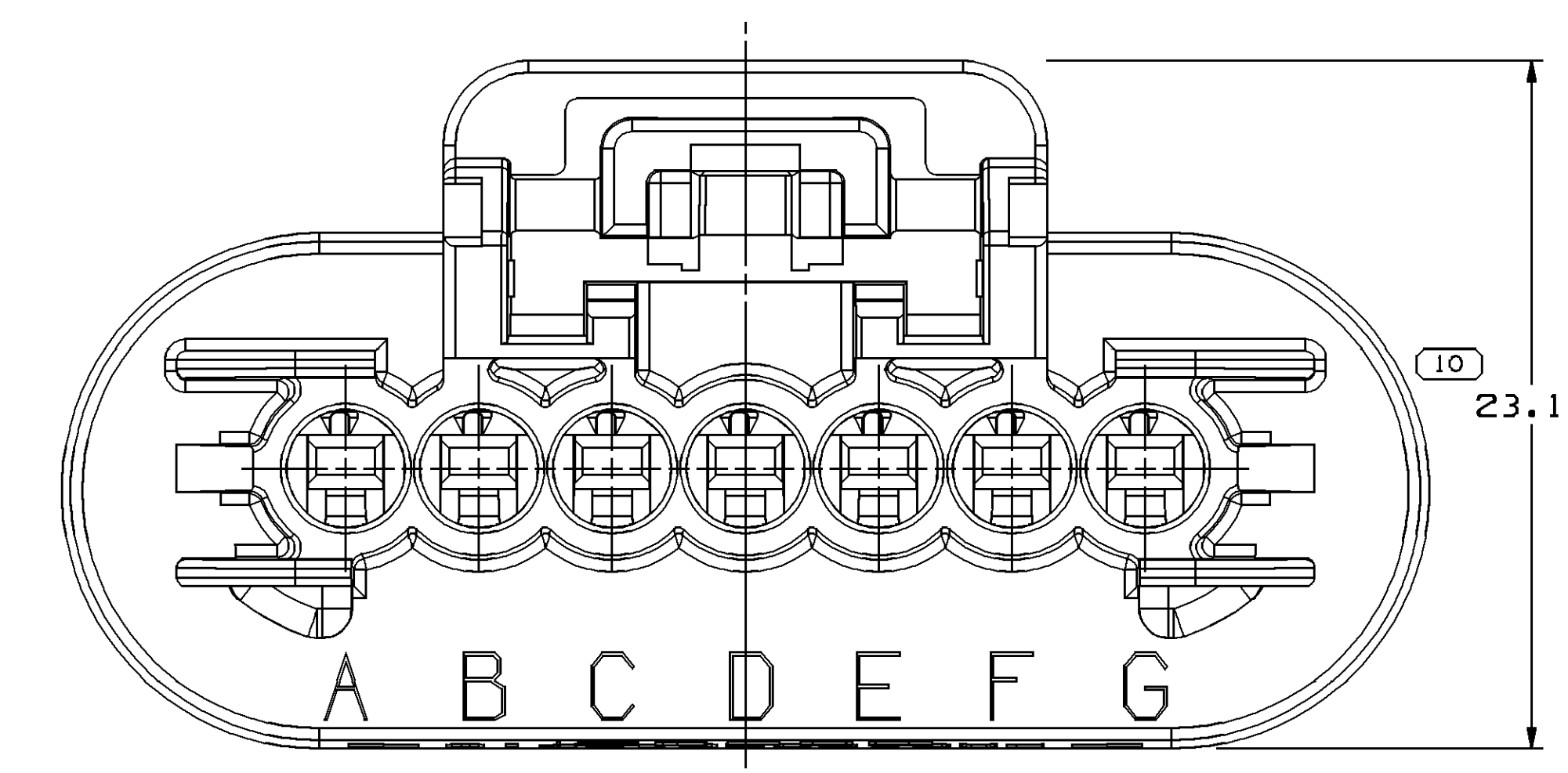
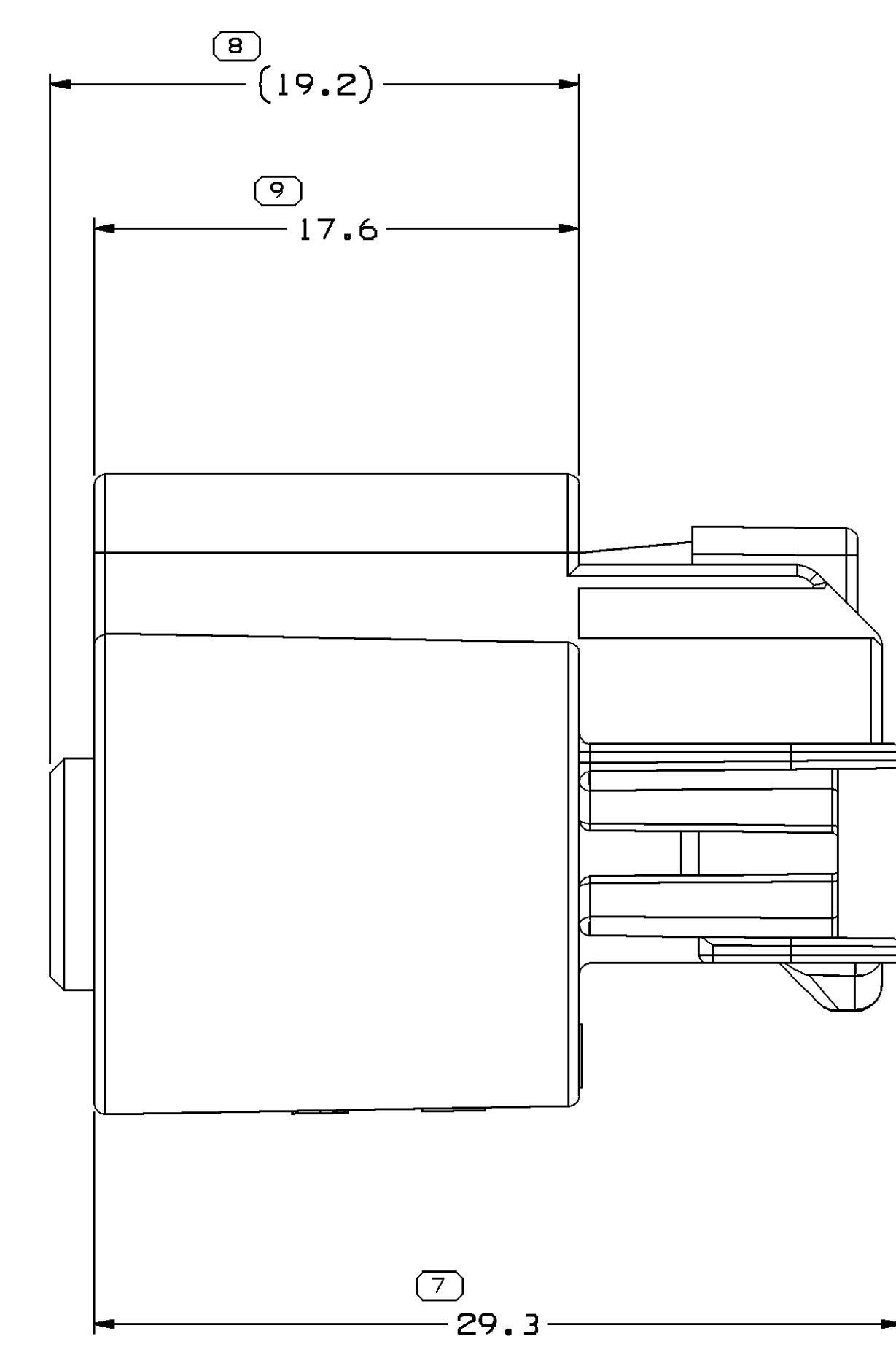
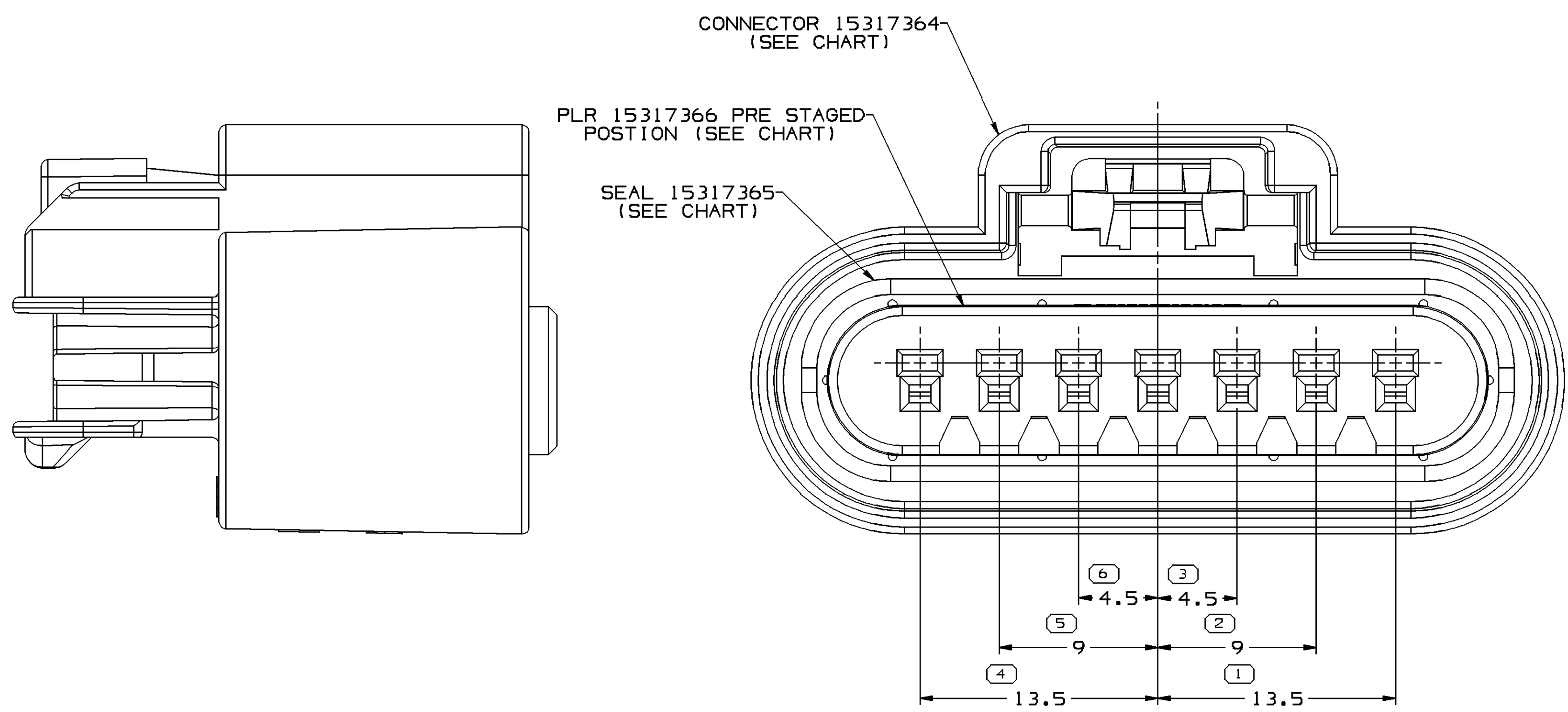
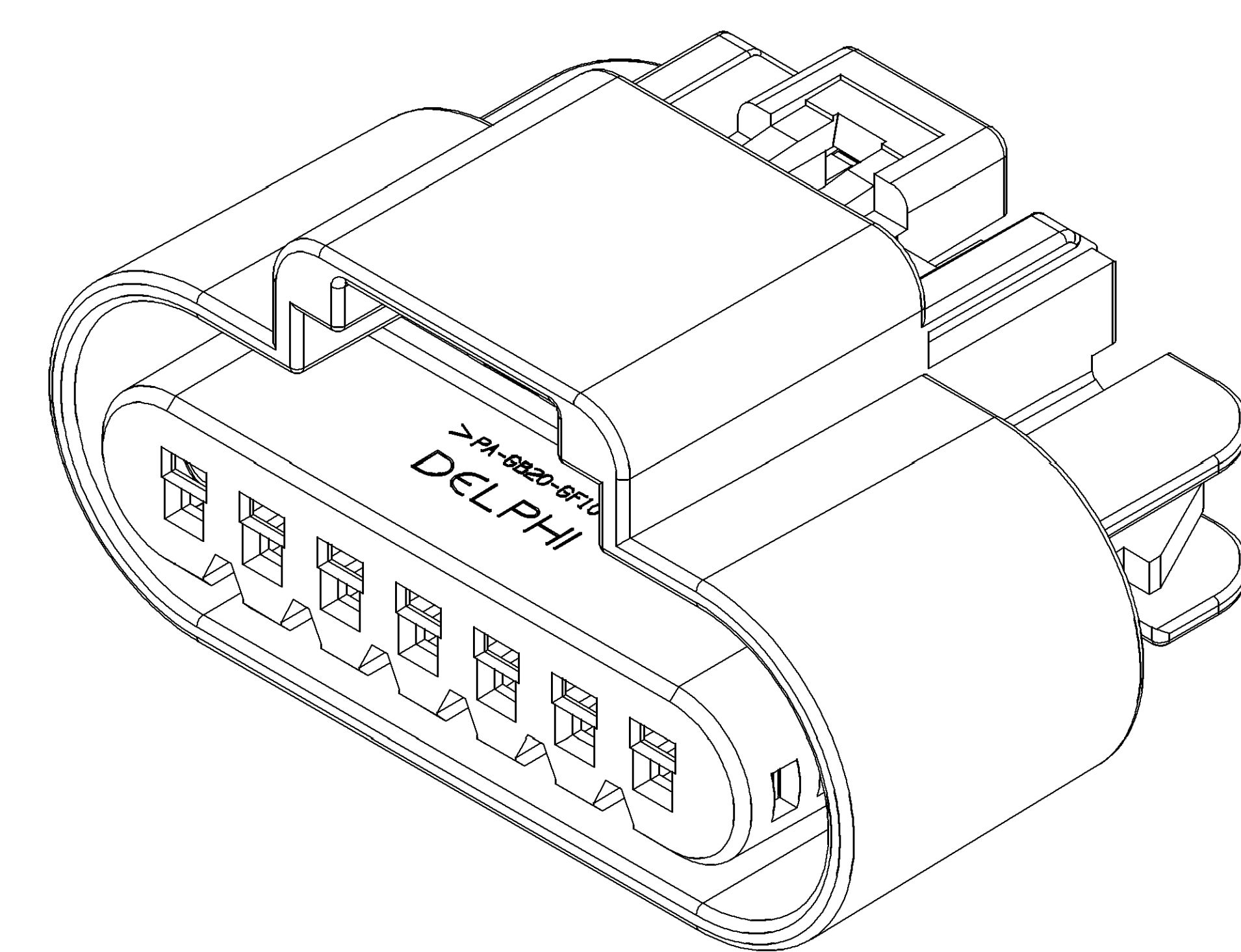
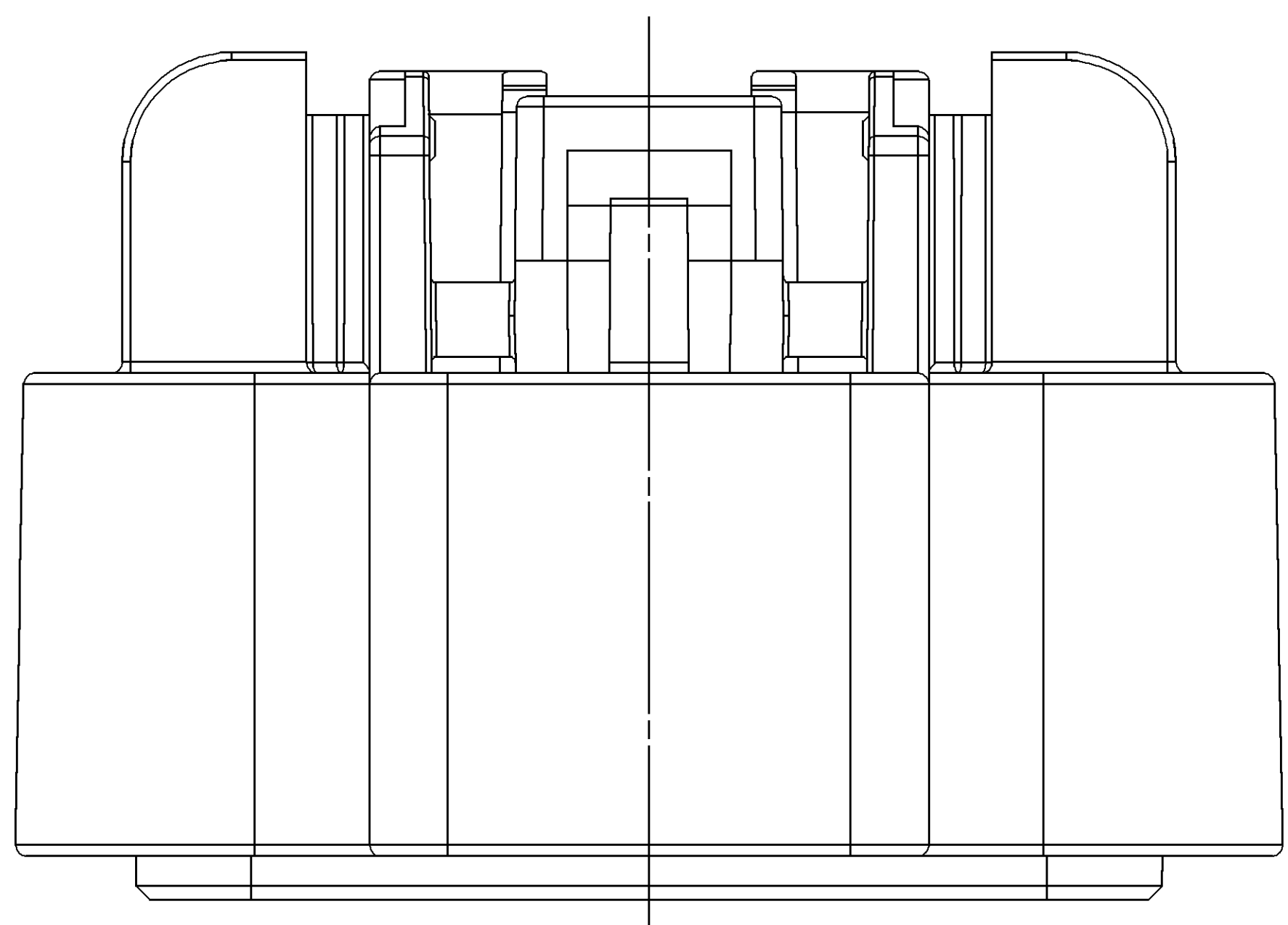


SYMBOL DEFINITION			MISSING SYMBOLS	
A DIMENSION WITHOUT AN INSPECTION REPORT SYMBOL () OR () DOES NOT REQUIRE INSPECTION. IT MAY BE CONTROLLED ON THE INDIVIDUAL COMPONENT DRAWING.	TOTAL NO OF INSPECTIONS REQUIRED	10	NO MISSING SYMBOL NUMBER	
() INDICATES THE DIMENSION IS SHOWN ON THE PART DRAWING AND THE TOOL MUST BE QUALIFIED AT 80% OF THE TOLERANCE SHOWN UNLESS SUPERSEDED BY A "TBT".	LAST NO. USED	10		

DWG STATUS				REVISION HISTORY				AUTH		DR		AP/VD	
DATE	STG	REV	N/P	CHG	ZONE								
20M197	R	A	-	-	-	WAS PE060743 AND RELEASED				970005	END	END	END
16N005	R	01	AA	-	-	MATING TERMINAL 15326264 WAS 1219181B AND UPDATED DRAWING				274709	MM	MM	LN
15DE05	R	A2	-	-	-	A1 FOR CHANGE NOTICE 274709 WAS 01 AA				275347	MM	MM	LN
23MR07	R	A3	-	-	-	UPDATED PDM ATTRIBUTES				400945	EF5	FRG	GG1



NOTES

- UNLESS OTHERWISE SPECIFIED AND/OR INDICATED:
DIMENSIONS ARE TO FACE OF VIEW SHOWN AND AUTOMATICALLY ROUNDED BY COMPUTER FOR INSPECTION (SEE MATH MODEL FOR PRECISE DIMENSIONS). FOR ALL OTHER DIMENSIONS NOT SHOWN BUT REQUIRED FOR TOOL BUILD, SEE MATH MODEL FOR PRECISE TOOL PATH DATA.
- THIS PART ACCEPTS THE FOLLOWING COMPONENTS OR EQUIVALENT:
ASSEMBLY CONNECTOR 15359189
TERMINAL 15326264
CONNECTOR POSITION ASSURANCE LOCK 15317832
TERMINAL POSITION ASSURANCE LOCK 15317368
CABLE SEAL 15366021
CAVITY PLUG 15305171
- FOR MATING CONFIGURATION REQUIREMENTS, SEE DRAWING 15326553.
- SEALING CODE 3.

DWG TYPE		PART DRAWING	
STYLE		DISTR CODE	D
VOLUME 10/11			
UNLESS OTHERWISE SPECIFIED THIS DOCUMENT IS IN ACCORDANCE WITH ASME Y14.5M-1994 AS MODIFIED BY THE IN SUPPLY DESCRIPTION AND TOLERANCE ADDENDUMS. SEPARATE MATTERS OF FEATURES MAY BE BASED SEPARATELY PER REFERENCE REFERENCES.			
ALL DIMENSIONS ARE IN MILLIMETERS			
REFERENCE			
(N/A) PROCESS SENSITIVE DIMENSION			
DIMENSIONS ENCLOSED IN () INDICATE REFERENCE DIMENSIONS AND NO TOLERANCE LIMITS ARE ESTABLISHED			
DIMENSIONAL RANGE (MM)		SHORT ET	
FROM	> 0	> 30	> 100
TO	20	70	100
TOLERANCE UNLESS OTHERWISE SPECIFIED		TOLERANCE UNLESS OTHERWISE SPECIFIED	
±0.15 ±0.2 ±0.3 ±0.4 ±0.5 ±0.6 ±0.8 ±1 ±1.2		±1 ±1.2	
ANGULAR TOLERANCE 32°			
THIRD ANGLE PROJECTION		DO NOT SCALE	
USE MATH DATA		UNIMAPHICS	

DELPHI
DELPHI PACKARD ELECTRICAL/ELECTRONIC ARCHITECTURE
NAPER, OH

DR	DATE
APV01 E. LUQUENO	20M197
APV02 E. LUQUENO	20M197
APV03 A. UGALDE	21M197
APV04	
APV05	

THIS DOCUMENT IS IN ACCORDANCE WITH ASME Y14.5M-1994 AS MODIFIED BY THE IN SUPPLY DESCRIPTION AND TOLERANCE ADDENDUMS. SEPARATE MATTERS OF FEATURES MAY BE BASED SEPARATELY PER REFERENCE REFERENCES.

ALL DIMENSIONS ARE IN MILLIMETERS

THIRD ANGLE PROJECTION

DO NOT SCALE

USE MATH DATA

UNIMAPHICS

DRAWING NAME
ASM CONN 7 F 6T 150 BLK SLD

DRAWING NUMBER
15317367

SIZE	SCALE	FRAME NO	SHEET NO	STG	REV	N/P
A0	5:1	1	1	1	R	A3

15317367	15317364	15317365	15317366
PART NO	CONNECTOR	SEAL	PLR