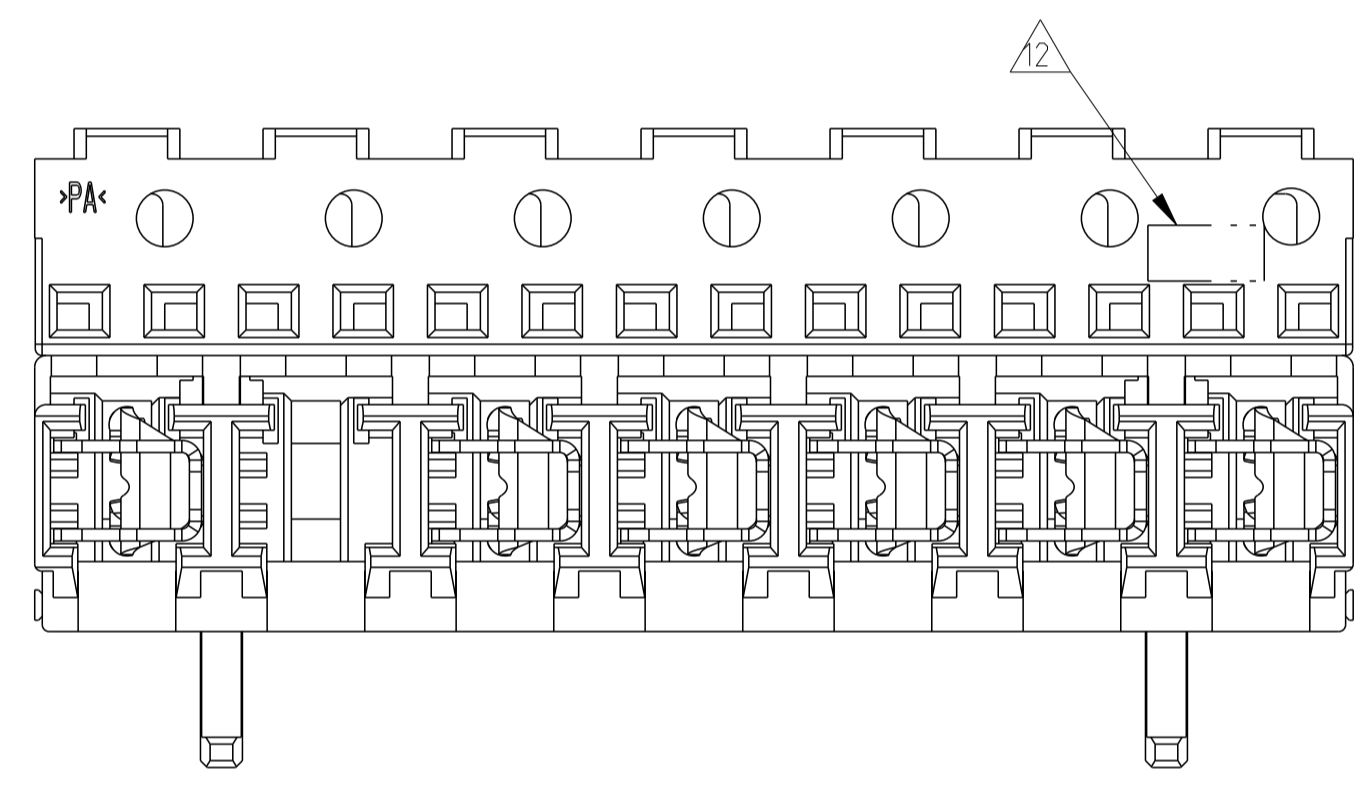
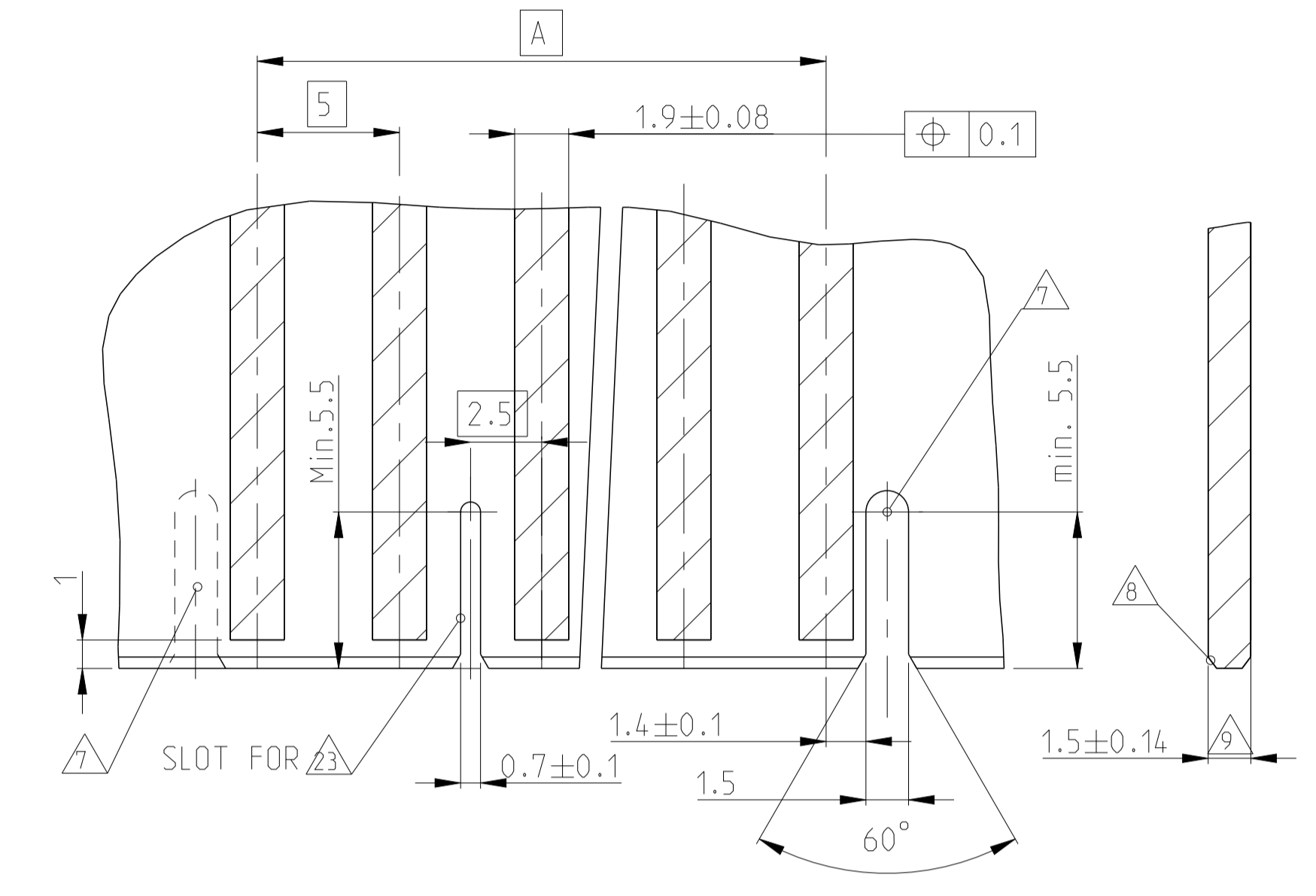
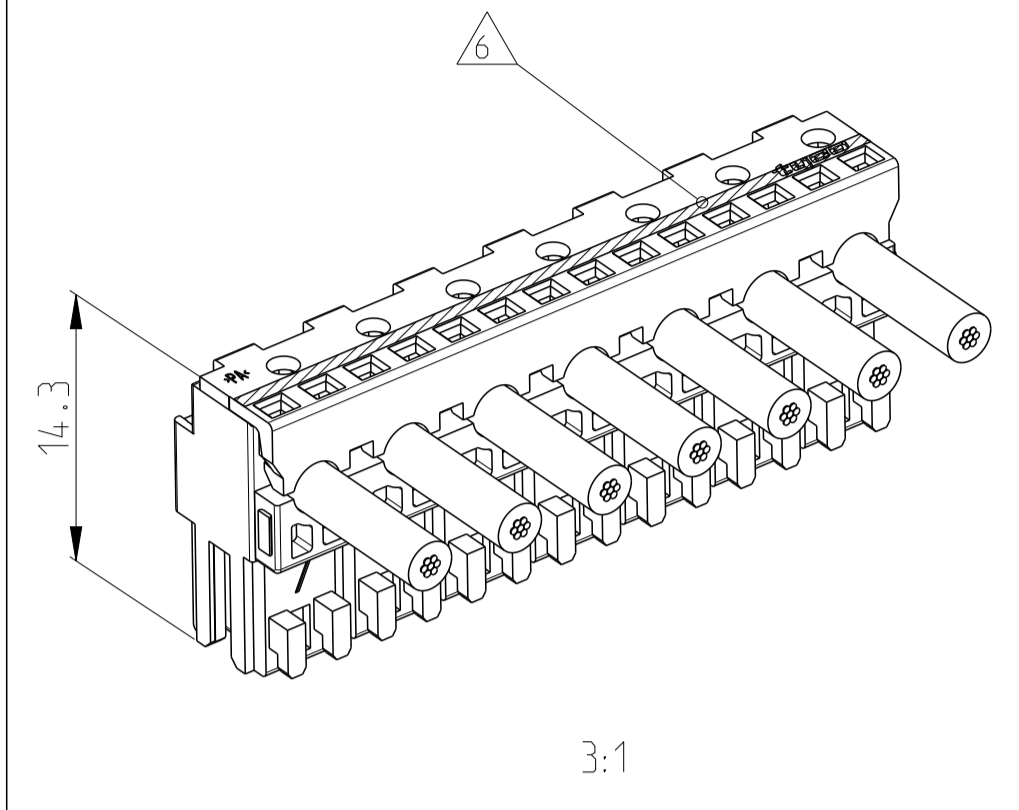
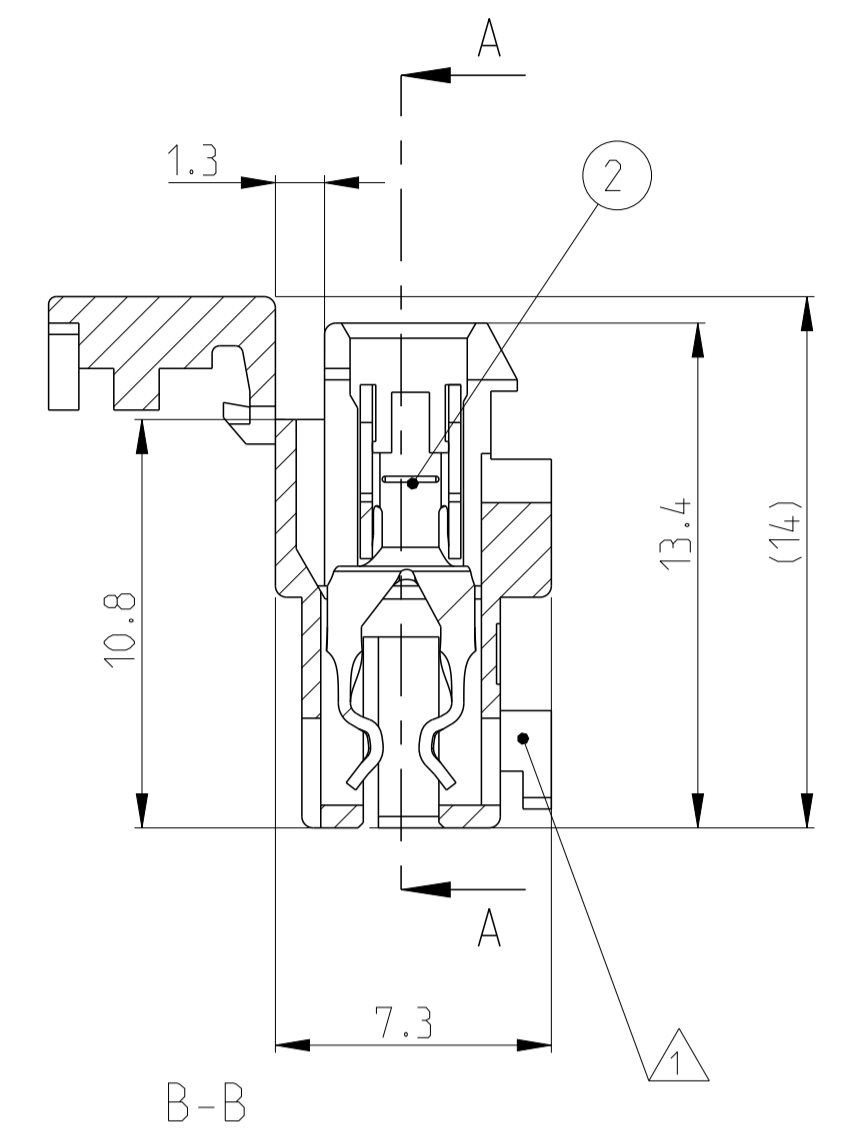
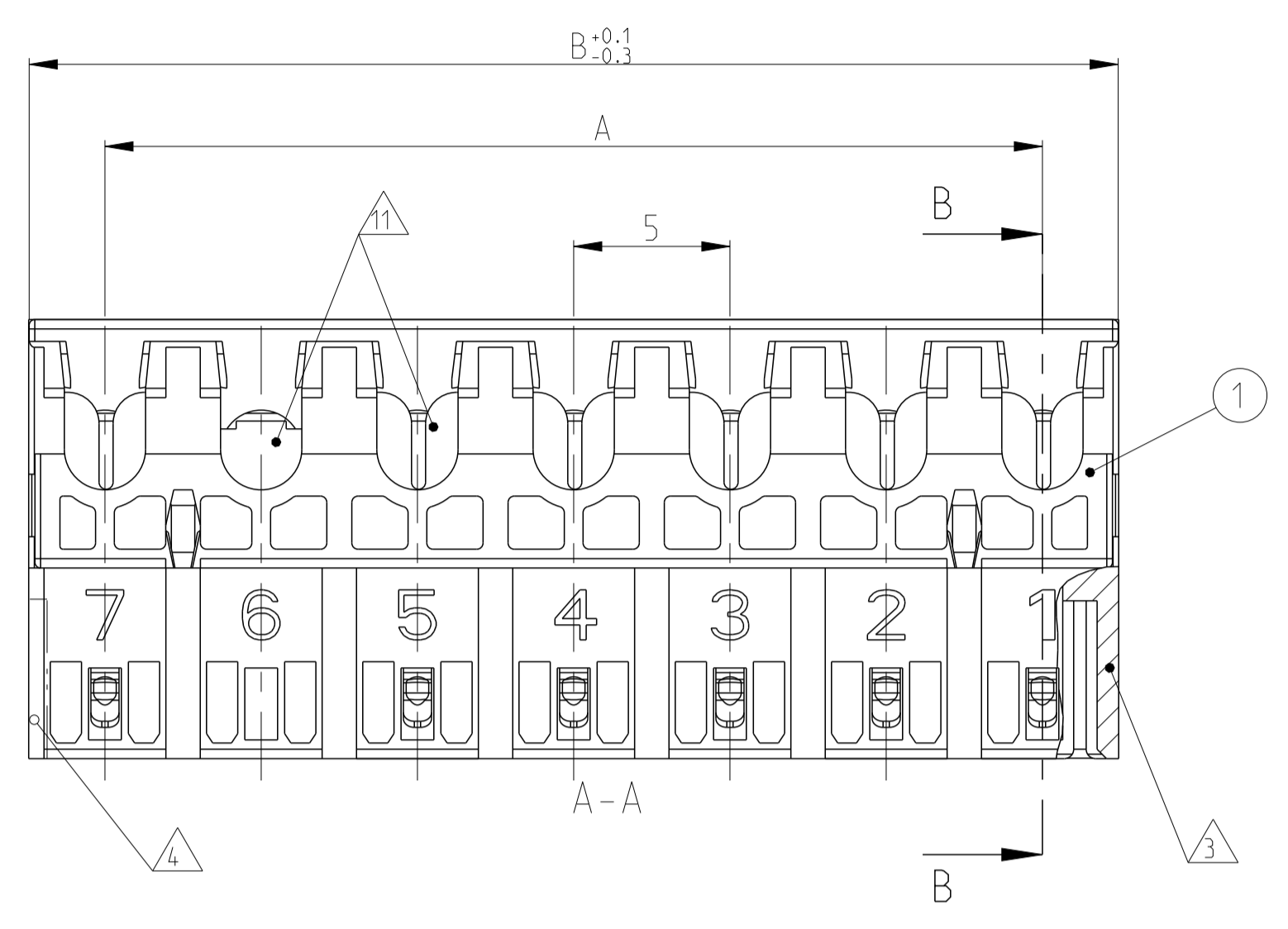


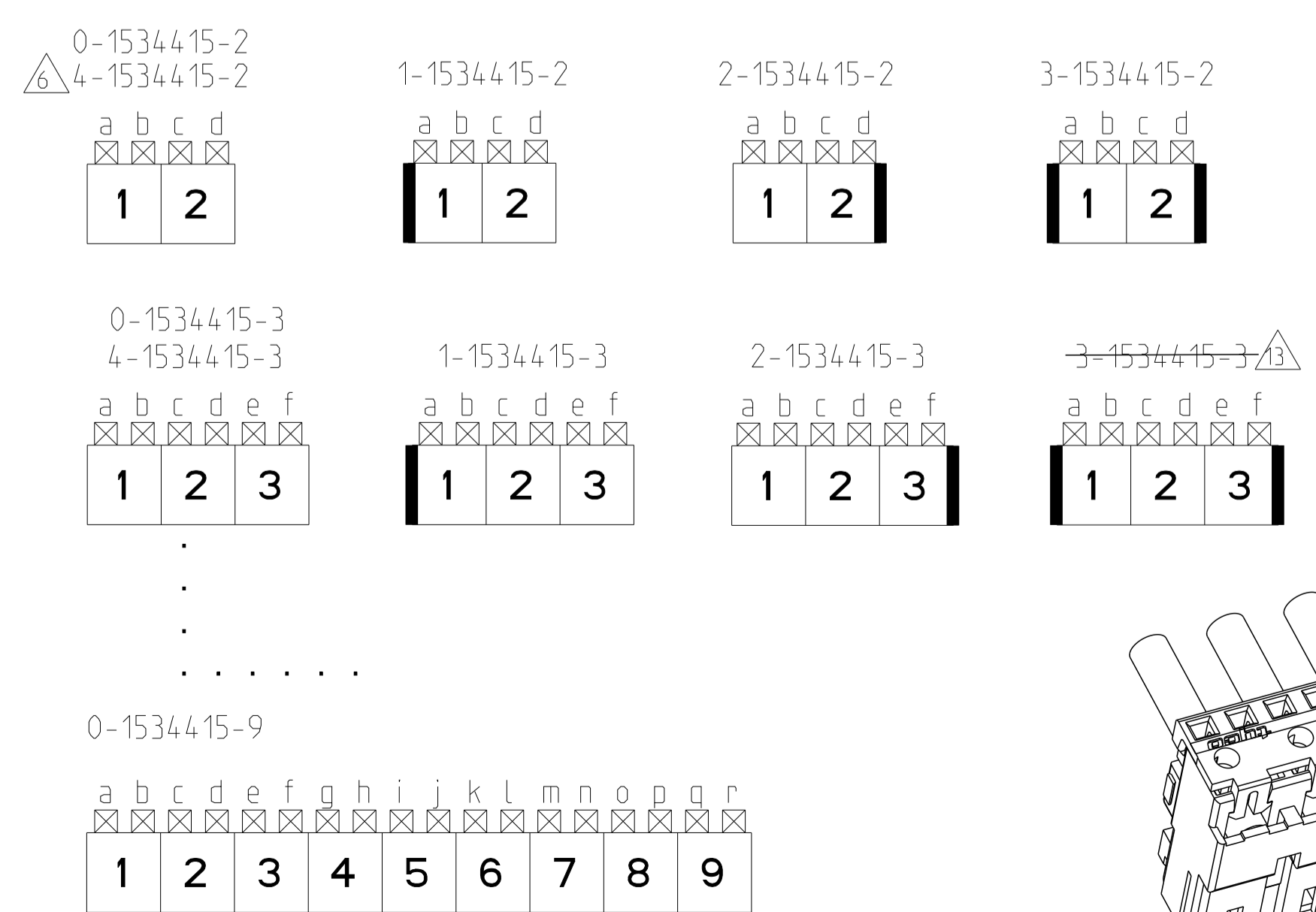
LOC		DIST		REVISIONS				
P	LTN	DATE	OWN	APVD	DESCRIPTION	DATE	OWN	APVD
	D13	Revised per ECR-18-013670	28AUG18	LR	FL			

PCB LAYOUT KEYED / CONNECTED ONLY WITH ADDITIONAL FRAME
 Leiterplattenanschluss kodiert / nur in Verbindung mit zusätzlichem Rahmen



- △6 KEYING BETWEEN POSITIONS
- △5 UL94 V0 AND GLOW WIRE TEST 750 °C WITHOUT FLAME
- △4 PRELIMINARY PART NOT RELEASED FOR PRODUCTION
- △3 OBSOLETE
- △2 TE LOGO
- X...CAVITY LOADED WITH CONTACT
 O...CAVITY WITHOUT CONTACT
 X...Kammer mit Kontakt
 O...Kammer ohne Kontakt
- △11
- △10 GLOW WIRE TEST 750 °C WITHOUT FLAME
 Gluehdrahttest 750°C ohne Flamme
- △9 INCLUSIVE COPPER CLADDING;
 Inclusive Kupferkaschierung:
- △8 PCB PREFERABLY CHAMFERED.
 Leiterplatte vorzugsweise angefast.
- △7 SLOT FOR SIDE KEYING, △△
 Schlitz fuer Seitenkodierung, △△.
- △6 COLOUR MARKING ON TOP OF HOUSING OPTIONAL ON TERMINATION MACHINE
 Farbmarkierung auf Gehäuseoberseite optional an Verarbeitungsmaschine
- 5 MATING PART: PCB (WITH FRAMES ACC. RAST 2.5 E.G. PN 964 575/576)
 TABHEADER PN 1 534 787/788
 Passender Gegenstecker: Leiterplatten (mit Rahmen nach RAST 2.5 z.B. 964 575/576)
 Tabwannen Nr. 1 534 787/788
- △4 SIDE KEYING, ON LAST CAVITY
 Seitenkodierung, an letzter Kammer
- △3 SIDE KEYING, ON CAVITY 1
 Seitenkodierung, an Kammer 1
- 2 WIRE RANGE: 0.35-0.5 mm²
 Drahtgrößenbereich: 0.35-0.5 mm²
- △1 KEYING RIBS; CUTTING WITH TERMINATION MACHINE POSSIBLE
 Kodierrippe; Schneiden auf der Verarbeitungsmaschine moeglich

KEYING PLAN (VIEW Z)
 Kodierschema (Ansicht Z)



X	X	X	X	X	X	X	X	X	X	X	NATURE	9	40	44.9	-	-	0-1534415-9		
X	X	X	X	X	X	X	X	X	X	X	NATURE	8	35	39.9	-	-	0-1534415-8		
		X	X	X	X	X	X	X	X	X	NATURE	7	30	34.9	-	-	0-1534415-7		
			X	X	X	X	X	X	X	X	NATURE	6	25	29.9	-	-	0-1534415-6		
				X	X	X	X	X	X	X	NATURE	5	20	24.9	-	-	0-1534415-5		
					X	X	X	X	X	X	NATURE	4	15	19.9	-	X	3-1534415-4 △14		
						X	X	X	X	X	NATURE	4	15	19.9	3/4	X	X	2-1534415-4 △14	
							X	X	X	X	NATURE	4	15	19.9	2/3	X	X	1-1534415-4 △14	
								X	X	X	NATURE	4	15	19.9	-	-	-	0-1534415-4	
									X	X	NATURE	3	10	14.9	1/2	X	X	6-1534415-3 △14	
									X	X	NATURE	3	10	14.9	-	-	-	5-1534415-3 △15	
									X	O	NATURE	3	10	14.9	-	-	-	4-1534415-3	
									X	X	X		3	10	14.9	X	X	3-1534415-3 △13	
									X	X	NATURE	3	10	14.9	-	X	-	2-1534415-3	
									X	X	NATURE	3	10	14.9	-	-	-	0-1534415-3	
										X	X	BROWN	2	5	9.9	-	-	-	4-1534415-2 △6
										X	X	NATURE	2	5	9.9	X	X	-	3-1534415-2
										X	X	NATURE	2	5	9.9	X	-	-	2-1534415-2
										X	X	NATURE	2	5	9.9	-	X	-	1-1534415-2
										X	X	NATURE	2	5	9.9	-	-	-	0-1534415-2

2	SEE TABLE	KONTAKT	CuNiSi	TINNED
1	siehe Tabelle	Federleistengehaeuse	PA 6 △6	NATUR/Natur
POS.	PN Bestell-Nr.	DESCRIPTION Beschreibung	MATERIAL	COLOUR/FINISH Farbe/Oberflaeche

THIS DRAWING IS A CONTROLLED DOCUMENT. DIMENSIONS: mm. TOLERANCES UNLESS OTHERWISE SPECIFIED: 0 PLC ±0.2, 1 PLC ±0.2, 2 PLC ±0.2, 3 PLC ±0.2, 4 PLC ±0.2, ANGLES ±°. MATERIAL: -. FINISH: -. WEIGHT: -. CUSTOMER DRAWING: -.

TE Connectivity
 AMP DUOPLUG POWER FEMALE CONNECTOR (Standard Version)
 SIZE: A1 00779 C=1534415
 SCALE: 5:1 SHEET: 1 OF 2


LOC	DIST	REVISIONS			
P	LTN	DESCRIPTION	DATE	DNW	APVD
-		SEE SHEET 1	-	-	-

△ PART NUMBERS WITH VO + GWT VERSION

9	8	7	6	5	4	3	2	1	NATURE	9	40	44.9	-	-	-	-
X	X	X	X	X	X	X	X	X	NATURE	9	40	44.9	-	-	-	-
		0	0	X	X	X	X	X	NATURE	7	30	34.9	-	-	-	1-2328644-7
		X	X	X	X	X	X	X	NATURE	7	30	34.9	-	-	-	2328644-7
				X	X	X	X	X	NATURE	5	20	24.9	-	-	-	-
						X	X	X	NATURE	3	10	14.9	-	-	X	2328644-3
							X	X	NATURE	2	5	9.9	-	-	-	-
CAVITY LOADED △11									COLOR △6	POS.	DIM A	DIM B	KEYING △6	KEYING △4	KEYING △3	TE P/N △4
2	SEE TABLE		CONTACT		CuNiSi		TINNED									
1	siehe Tabelle		Federleistengehaeuse		PA 6		NATUR/Natur									
POS.	TE P/N		DESCRIPTION		MATERIAL		COLOUR/FINISH									

PART NUMBERS WITH SILVERED CONTACTS

9	8	7	6	5	4	3	2	1	NATURE	9	40	44.9	-	-	-	2319602-9
X	X	X	X	X	X	X	X	X	NATURE	9	40	44.9	-	-	-	2319602-9
		X	X	X	X	X	X	X	NATURE	7	30	34.9	-	-	-	2319602-7
				X	X	X	X	X	NATURE	5	20	24.9	-	-	-	2319602-5
						X	X	X	NATURE	2	5	9.9	-	-	-	2319602-2
CAVITY LOADED △11									COLOR △6	POS.	DIM A	DIM B	KEYING △4	KEYING △3	TE P/N △4	
2	SEE TABLE		CONTACT		CuNiSi		SILVERED									
1	siehe Tabelle		Federleistengehaeuse		PA 6		NATUR									
POS.	TE P/N		DESCRIPTION		MATERIAL		COLOUR/FINISH									

THIS DRAWING IS A CONTROLLED DOCUMENT.		DNW H. Karabiyik 13 OCT 2016		TE Connectivity	
DIMENSIONS: mm		CHK B. Schnaubelt 24 JAN 2002		NAME AMP DUOPLUG POWER FEMALE CONNECTOR (Standard Version)	
TOLERANCES UNLESS OTHERWISE SPECIFIED:		APVD T. Klenner 24 JAN 2002	PRODUCT SPEC 108-18780		
0 PLC ±0.2		APPLICATION SPEC 116-18458			
1 PLC ±0.2		SIZE A1			
2 PLC ±0.2		CAGE CODE 00779			
3 PLC ±0.2		DRAWING NO C=1534415			
4 PLC ±0.2		RESTRICTED TO			
ANGLES ±°		SCALE 5:1			
FINISH		SHEET 2 OF 2			
MATERIAL		WEIGHT			
		CUSTOMER DRAWING			