

1544316-3 ✓ ACTIVE

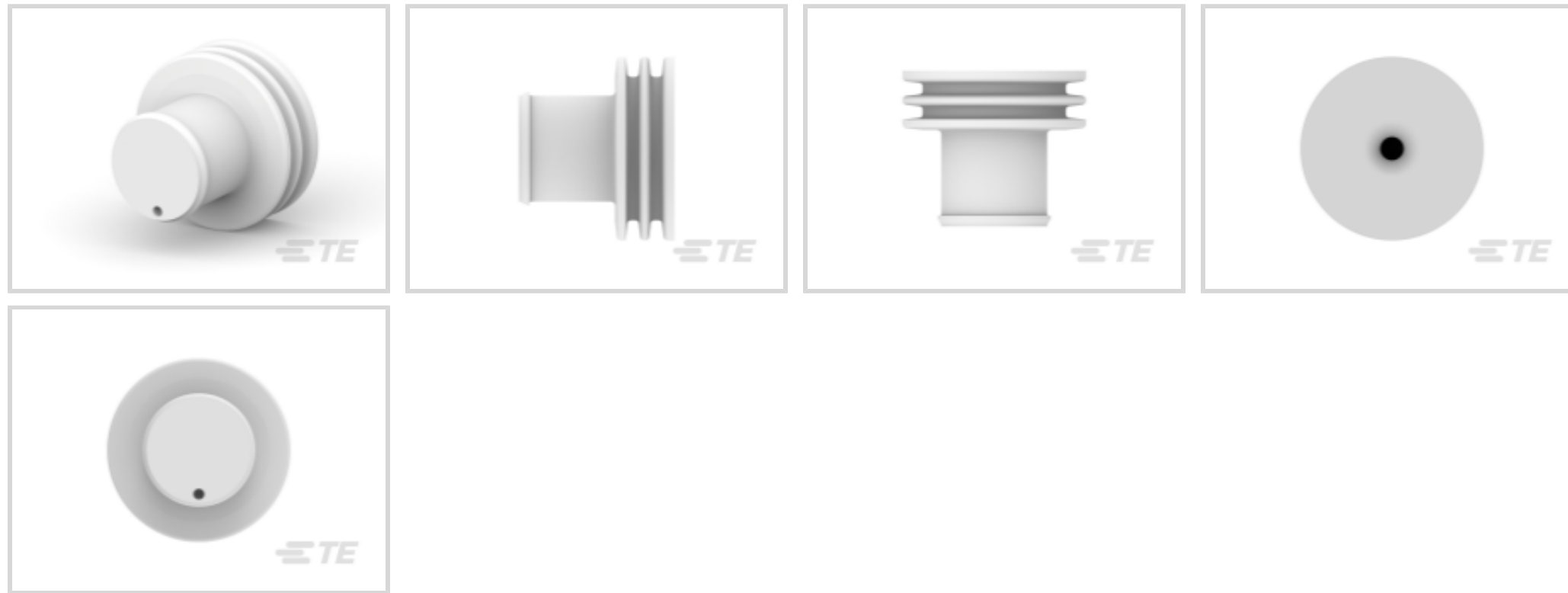
TE Internal #: 1544316-3

Automotive Seals & Cavity Plugs, Sealing Plug, Cavity Diameter .413 in [10.5 mm], Silicone, Poor, 50, White, -40 – 125 °C [-40 – 257 °F]

[View on TE.com >](#)



Connectors > Automotive Connectors > Seals & Cavity Plugs



Connector Seal Type: **Sealing Plug**  
Cavity Diameter: **10.5 mm [ .413 in ]**  
Seal Material: **Silicone**  
Resistance to Hydrocarbons: **Poor**  
Shore A Hardness: **50**

## Features

### Product Type Features

Connector Seal Type	Sealing Plug
---------------------	--------------

### Body Features

Seal Material	Silicone
Primary Product Color	White

### Dimensions

Cavity Diameter	10.5 mm[.413 in]
-----------------	------------------

### Usage Conditions

Operating Temperature (Max)	125 °C[257 °F]
Operating Temperature Range	-40 – 125 °C[-40 – 257 °F]

### Industry Standards

UL Flammability Rating	None
------------------------	------

### Packaging Features

Packaging Quantity	10000
Packaging Method	Box

## Other

Resistance to Hydrocarbons	Poor
Shore A Hardness	50
Contains Lubricant	No

## Product Compliance

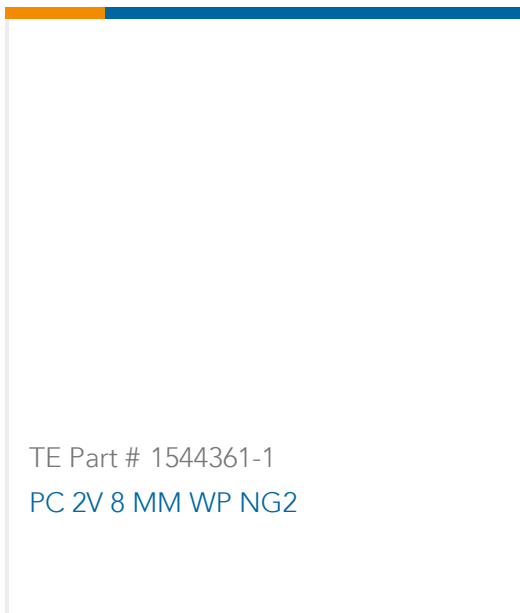
[For compliance documentation, visit the product page on TE.com>](#)

EU RoHS Directive 2011/65/EU	Compliant
EU ELV Directive 2000/53/EC	Compliant
China RoHS 2 Directive MIIT Order No 32, 2016	No Restricted Materials Above Threshold
EU REACH Regulation (EC) No. 1907/2006	Current ECHA Candidate List: JUNE 2022 (224) Candidate List Declared Against: JAN 2020 (205) SVHC > Threshold: Not Yet Reviewed
Halogen Content	Low Halogen - Br, Cl, F, I < 900 ppm per homogenous material. Also BFR/CFR/PVC Free
Solder Process Capability	Not applicable for solder process capability

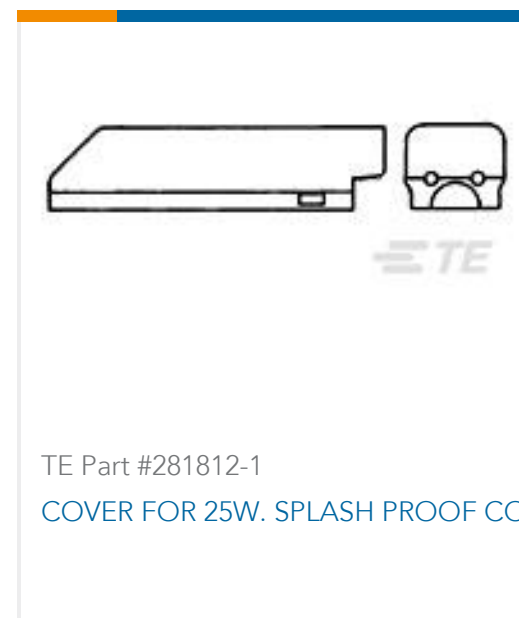
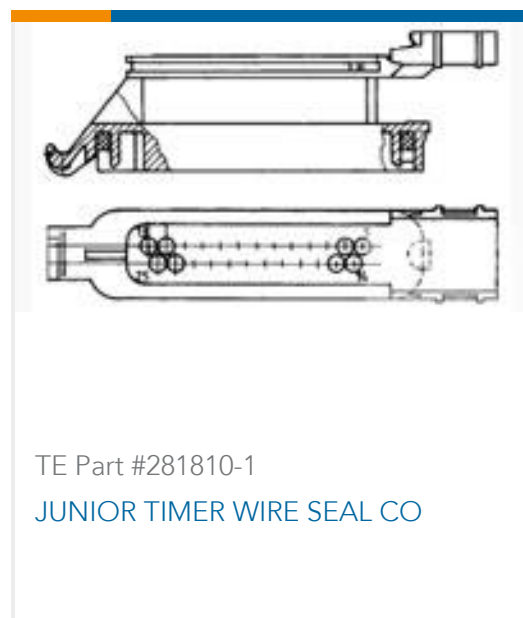
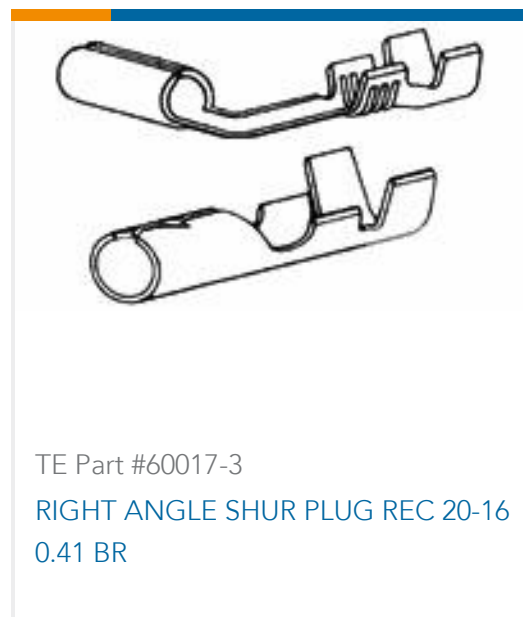
### Product Compliance Disclaimer

This information is provided based on reasonable inquiry of our suppliers and represents our current actual knowledge based on the information they provided. This information is subject to change. The part numbers that TE has identified as EU RoHS compliant have a maximum concentration of 0.1% by weight in homogenous materials for lead, hexavalent chromium, mercury, PBB, PBDE, DBP, BBP, DEHP, DIBP, and 0.01% for cadmium, or qualify for an exemption to these limits as defined in the Annexes of Directive 2011/65/EU (RoHS2). Finished electrical and electronic equipment products will be CE marked as required by Directive 2011/65/EU. Components may not be CE marked. Additionally, the part numbers that TE has identified as EU ELV compliant have a maximum concentration of 0.1% by weight in homogenous materials for lead, hexavalent chromium, and mercury, and 0.01% for cadmium, or qualify for an exemption to these limits as defined in the Annexes of Directive 2000/53/EC (ELV). Regarding the REACH Regulation, the information TE provides on SVHC in articles for this part number is based on the latest European Chemicals Agency (ECHA) 'Guidance on requirements for substances in articles' posted at this URL: <https://echa.europa.eu/guidance-documents/guidance-on-reach>

## Compatible Parts



## Customers Also Bought



## Documents

**Product Drawings**  
**BOUCHON BLANC**

English

### CAD Files

Customer View Model

[ENG\\_CVM\\_1544316-3\\_C.3d\\_igs.zip](#)

English

Customer View Model

1544316-3

Automotive Seals & Cavity Plugs, Sealing Plug, Cavity Diameter .413 in [10.5 mm],  
Silicone, Poor, 50, White, -40 – 125 °C [-40 – 257 °F]



[ENG\\_CVM\\_1544316-3\\_C.3d\\_stp.zip](#)

English

**Customer View Model**

[ENG\\_CVM\\_1544316-3\\_C.2d\\_dxf.zip](#)

English

**3D PDF**

English

By downloading the CAD file I accept and agree to the [Terms and Conditions](#) of use.

**Product Specifications**

**Product Specification**

French