



Terminals & Splices > Quick Disconnects



Quick Disconnect Terminal Type: **Tab**

Wire Size: **.82 – 2.08 mm<sup>2</sup>**

Mating Tab Width: **6.35 mm [ .25 in ]**

Mating Tab Thickness: **.81 mm [ .032 in ]**

## Features

### Product Type Features

Terminates To	Wire & Cable
Wire/Cable Type	Regular Wire
Wire Stop	No
Insertion Force	Normal
Sealable	No

### Configuration Features

Connection Capacity	Single
---------------------	--------

### Electrical Characteristics

Voltage (Max)	250 V
---------------	-------

### Contact Features

Quick Disconnect Terminal Type	Tab
Mating Tab Width	6.35 mm[.25 in]
Mating Tab Thickness	.81 mm[.032 in]
Terminal Orientation	Straight



Contact Base Material	Phosphor Bronze
Terminal Plating Material	Tin
Crimp Type	F-Crimp
Barrel Type	Open

### Mechanical Attachment

Mating Retention Type	Locking Lance .055 in
Wire Insulation Support	With

### Dimensions

Accepts Wire Insulation Diameter Range	3.1 – 4.1 mm [.122 – .161 in]
Receptacle Terminal Stock Thickness	.41 mm [.016 in]
Overall Length	30 mm [1.181 in]
Wire Size	.82 – 2.08 mm <sup>2</sup>

### Usage Conditions

Insulation Option	Uninsulated
Operating Temperature Range	-40 – 110 °C [-40 – 230 °F]

### Industry Standards

UL Flammability Rating	UL 94V-2
------------------------	----------

### Packaging Features

Packaging Quantity	3500
Packaging Method	Strip/Reel

### Other

Comment	Without Locking Hole
---------	----------------------

### Product Compliance

[For compliance documentation, visit the product page on TE.com>](#)

EU RoHS Directive 2011/65/EU	Compliant
EU ELV Directive 2000/53/EC	Compliant
China RoHS 2 Directive MIIT Order No 32, 2016	No Restricted Materials Above Threshold
EU REACH Regulation (EC) No. 1907/2006	Current ECHA Candidate List: JUNE 2022 (224) Candidate List Declared Against: JAN 2022 (223)



SVHC > Threshold:  
Not Yet Reviewed

Halogen Content

Low Halogen - Br, Cl, F, I < 900 ppm per homogenous material. Also BFR/CFR/PVC Free

Solder Process Capability

Not applicable for solder process capability

Product Compliance Disclaimer

This information is provided based on reasonable inquiry of our suppliers and represents our current actual knowledge based on the information they provided. This information is subject to change. The part numbers that TE has identified as EU RoHS compliant have a maximum concentration of 0.1% by weight in homogenous materials for lead, hexavalent chromium, mercury, PBB, PBDE, DBP, BBP, DEHP, DIBP, and 0.01% for cadmium, or qualify for an exemption to these limits as defined in the Annexes of Directive 2011/65/EU (RoHS2). Finished electrical and electronic equipment products will be CE marked as required by Directive 2011/65/EU. Components may not be CE marked. Additionally, the part numbers that TE has identified as EU ELV compliant have a maximum concentration of 0.1% by weight in homogenous materials for lead, hexavalent chromium, and mercury, and 0.01% for cadmium, or qualify for an exemption to these limits as defined in the Annexes of Directive 2000/53/EC (ELV). Regarding the REACH Regulation, the information TE provides on SVHC in articles for this part number is based on the latest European Chemicals Agency (ECHA) 'Guidance on requirements for substances in articles' posted at this URL: <https://echa.europa.eu/guidance-documents/guidance-on-reach>

## Compatible Parts



REPRESENTATION ONLY

TE Part # 720725-1  
DAHT 250 FASTIN-ON TAB REC 18-14 ASSY



TE Part # 2150046-2  
OCEAN\_2.0\_APPLICATOR-E-110F160F



TE Part # 2-2150046-2  
OCEAN\_2.0\_APPLICATOR-E-110F160F



TE Part # 7-2150046-2  
OCEAN\_2.0\_APPLICATOR-E-110F160F



KIT

REPRESENTATION ONLY

TE Part # 7-2150046-7  
OCEAN\_2.0\_SPARE\_PART\_KIT-110F160F



TE Part # 2-2150346-2  
OC-PA-E-FA-110F160OV-001-0056



TE Part # 2150346-2  
OC-AT-E-FA-110F160OV-001-0056



KIT

REPRESENTATION ONLY

TE Part # 7-2150346-7  
OC-110F160OV-CRIMPTOOLINGKIT

Also in the Series | **FASTIN-FASTON 250**



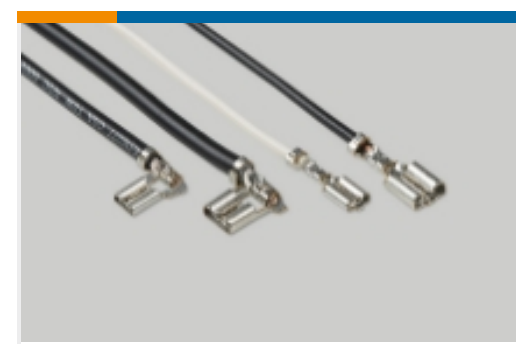
Crimp Terminal Housings(218)



Insertion &amp; Extraction Tools(2)

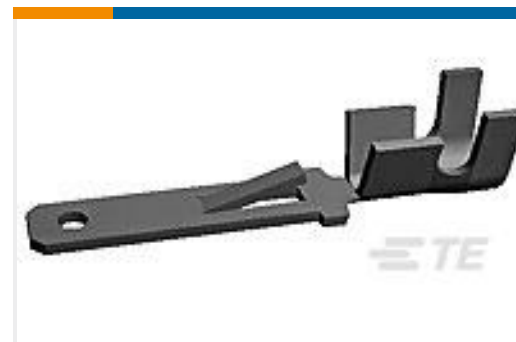
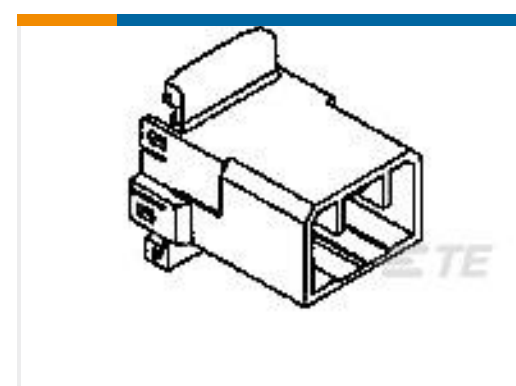


PCB Terminals(2)



Quick Disconnects(255)

## Customers Also Bought

TE Part #1717677-2  
AMPSEAL 16 HOUSINGSTE Part #130207  
PIDG, R, 12-10, M10TE Part #42460-2  
FF 250 TAB 18-14AWG TPBRTE Part #160917-3  
FF 250 REC 1-2.5MM2 PBTE Part #HD34-24-31SE-059  
REC,31P,AL,E, CBL CLMP BT, DRAIN,  
16,S,MCTE Part #382306-011  
44A1121-16-0/9-9TE Part #1-2177053-4  
2POS,8MM HV,PLUG HSG,ASSY,  
SEALEDTE Part #174931-1  
070 MLC W-W CAP HSG 8P NATURAL  
SEALED

## Documents

### Product Drawings

[FF 250 TAB 18-14AWG TPPB](#)

English

### CAD Files

Customer View Model

[ENG\\_CVM\\_CVM\\_160450-2\\_N.2d\\_dxf.zip](#)

English

3D PDF

3D

Customer View Model

[ENG\\_CVM\\_CVM\\_160450-2\\_N.3d\\_igs.zip](#)

English

Customer View Model

[ENG\\_CVM\\_CVM\\_160450-2\\_N.3d\\_stp.zip](#)

English

By downloading the CAD file I accept and agree to the [Terms and Conditions](#) of use.



---

**Datasheets & Catalog Pages**

[1654742\\_HOUSEHOLD\\_APPLIANCES\\_RAST5](#)

English

---

**Product Specifications**

[FASTIN-FASTON CONN. .110 INCH, .187 INCH, .250 INCH, .375 INCH SRS.](#)

English

[Product Specification](#)

English