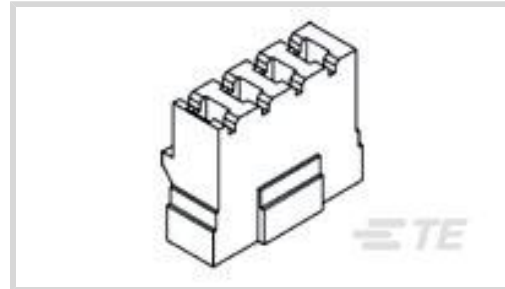




EMI & EMC Solutions > EMI & EMC Accessories



Filter Accessory Type: **Plug Only**

Filter Accessory For Use With: **P Series**

### Features

#### Product Type Features

Filter Accessory Type	Plug Only
-----------------------	-----------

#### Body Features

Color	Black
-------	-------

#### Operation/Application

Filter Accessory For Use With	P Series
-------------------------------	----------

#### Other

Comment	Designed for use with either filtered or unfiltered voltage selection models., Simplifies the connection of power entry module to power supply.
---------	---

### Product Compliance

[For compliance documentation, visit the product page on TE.com>](#)

EU RoHS Directive 2011/65/EU	Compliant
EU ELV Directive 2000/53/EC	Compliant
China RoHS 2 Directive MIIT Order No 32, 2016	No Restricted Materials Above Threshold
EU REACH Regulation (EC) No. 1907/2006	Current ECHA Candidate List: JUNE 2022 (224) Candidate List Declared Against: JAN 2022 (223) SVHC > Threshold: Not Yet Reviewed
Halogen Content	Low Halogen - Br, Cl, F, I < 900 ppm per homogenous material. Also BFR/CFR/PVC Free



Solder Process Capability

Not applicable for solder process capability

Product Compliance Disclaimer

This information is provided based on reasonable inquiry of our suppliers and represents our current actual knowledge based on the information they provided. This information is subject to change. The part numbers that TE has identified as EU RoHS compliant have a maximum concentration of 0.1% by weight in homogenous materials for lead, hexavalent chromium, mercury, PBB, PBDE, DBP, BBP, DEHP, DIBP, and 0.01% for cadmium, or qualify for an exemption to these limits as defined in the Annexes of Directive 2011/65/EU (RoHS2). Finished electrical and electronic equipment products will be CE marked as required by Directive 2011/65/EU. Components may not be CE marked. Additionally, the part numbers that TE has identified as EU ELV compliant have a maximum concentration of 0.1% by weight in homogenous materials for lead, hexavalent chromium, and mercury, and 0.01% for cadmium, or qualify for an exemption to these limits as defined in the Annexes of Directive 2000/53/EC (ELV). Regarding the REACH Regulation, the information TE provides on SVHC in articles for this part number is based on the latest European Chemicals Agency (ECHA) 'Guidance on requirements for substances in articles' posted at this URL: <https://echa.europa.eu/guidance-documents/guidance-on-reach>

### Compatible Parts



TE Part # CAT-C8114-P2  
CORCOM P SERIES MULTI-FUNCTION INLET FIL




TE Part # CAT-C8114-P4  
CORCOM P SERIES HIGH PERFORMANCE FILTERS



TE Part # CAT-C8114-P3  
CORCOM P SERIES MEDIUM MULTI-FUNCTION IN

### Also in the Series | Corcom P



EMI & EMC Accessories(4)



Multi-Function Inlet Filters(368)

### Customers Also Bought



TE Part #3-6609106-2  
PS0S0DH3B=C1180



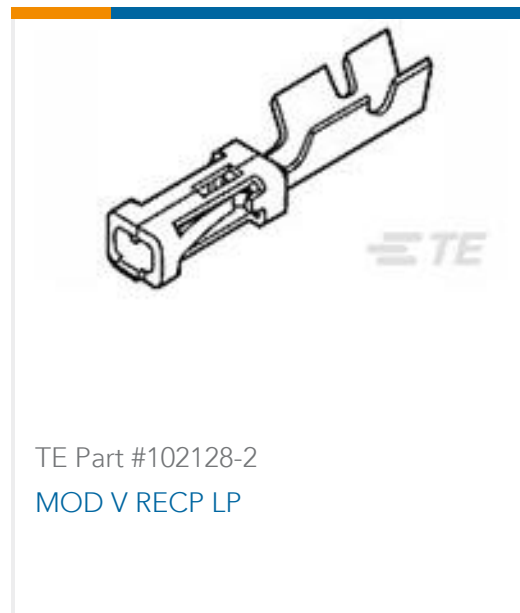
TE Part #770476-2  
SL156 RECPT, AUNI/PHBZ



TE Part #1-770849-3  
13P SL156 HSG W/LCK RMP & TABS



TE Part #103308-1  
010 LOPRO HDR SP 15DP



## Documents

### CAD Files

[3D PDF](#)

[3D](#)

[Customer View Model](#)

[ENG\\_CVM\\_CVM\\_1609146-1\\_A.2d\\_dxf.zip](#)

English

[Customer View Model](#)

[ENG\\_CVM\\_CVM\\_1609146-1\\_A.3d\\_igs.zip](#)

English

[Customer View Model](#)

[ENG\\_CVM\\_CVM\\_1609146-1\\_A.3d\\_stp.zip](#)

English

By downloading the CAD file I accept and agree to the [Terms and Conditions](#) of use.

### Datasheets & Catalog Pages

[1654001\\_CORCOM\\_PRODUCT\\_GUIDE](#)

English

[Corcom Combined Selector Charts](#)

English

### Product Environmental Compliance

[TE Material Declaration](#)

English