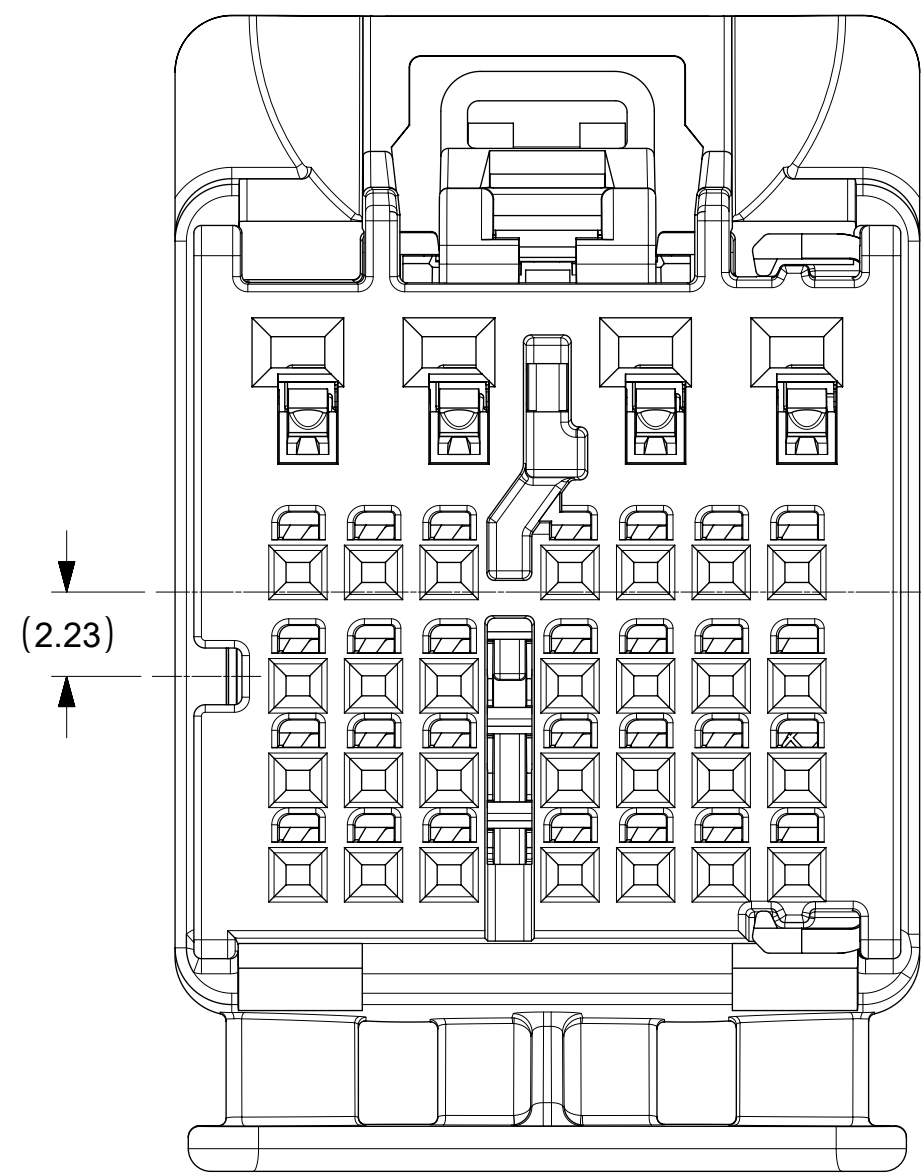
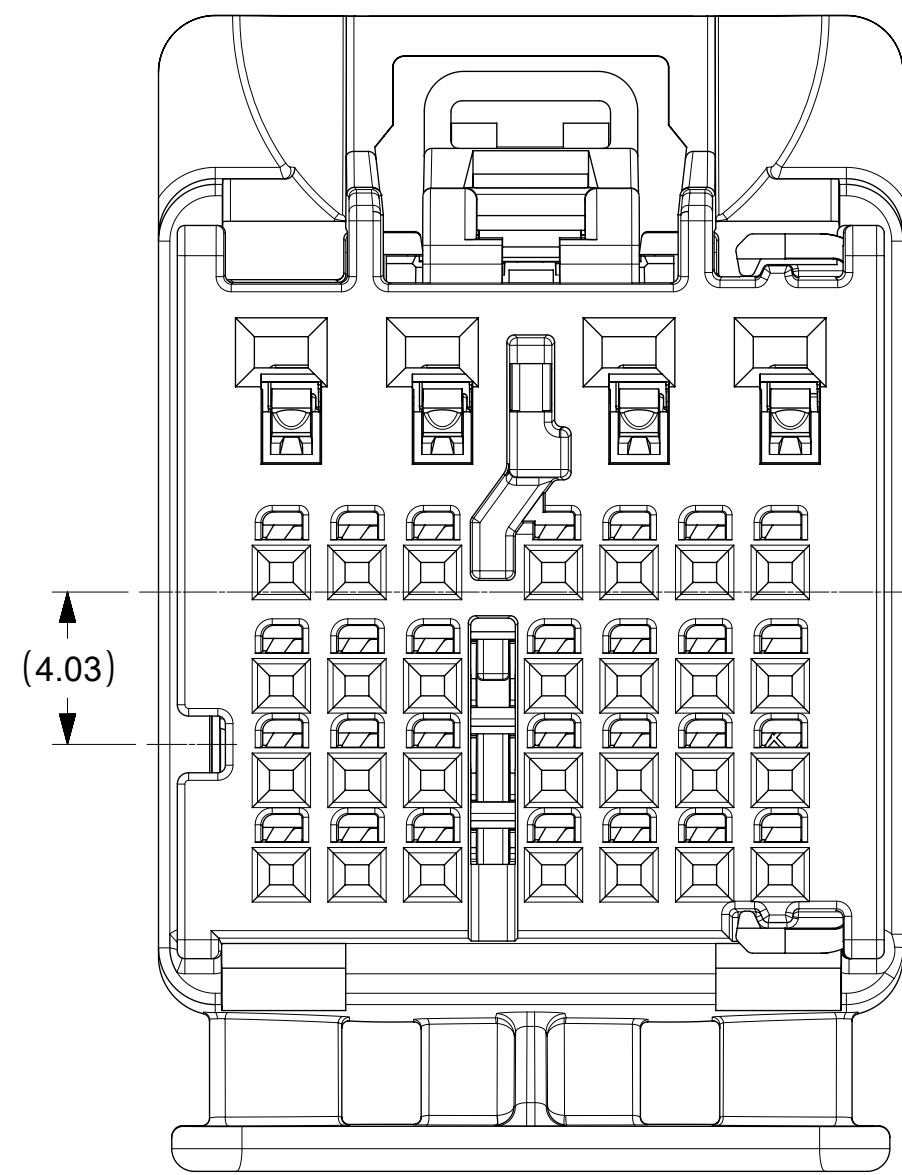


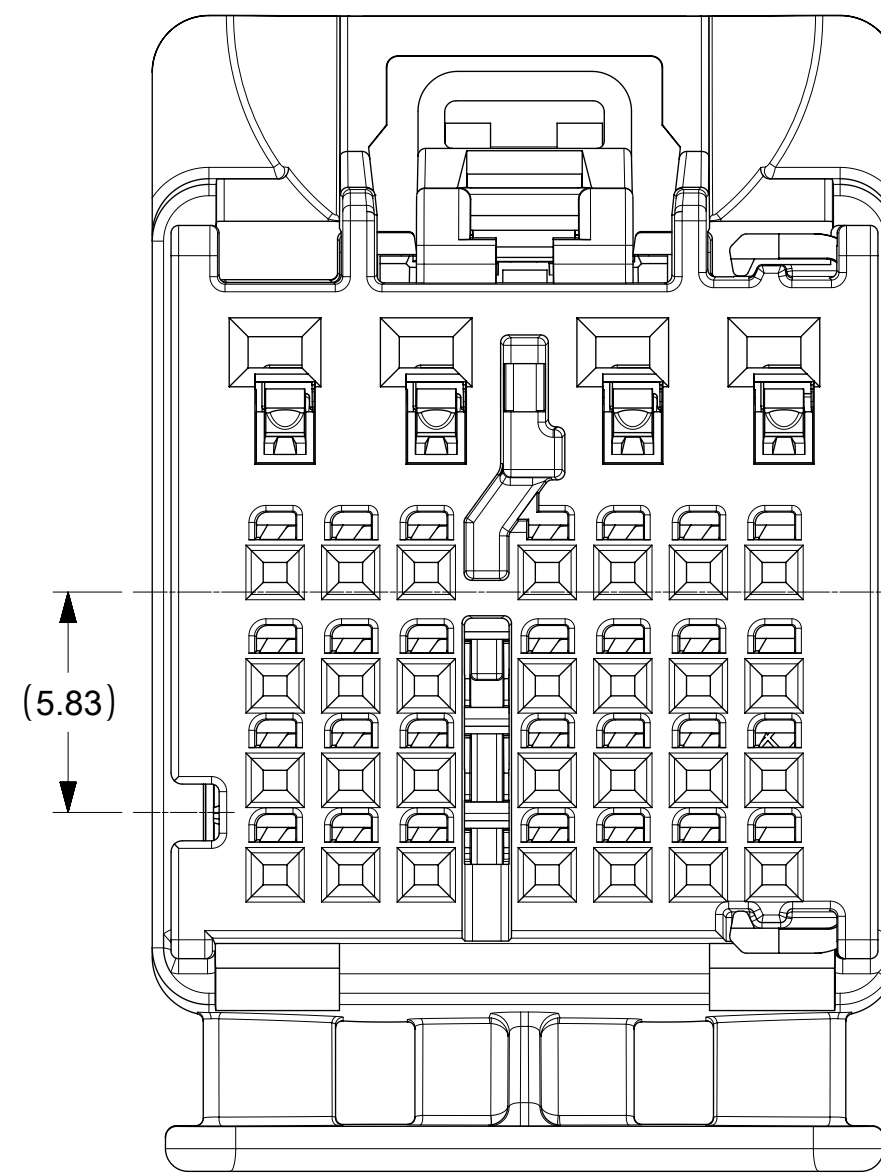
32WAY CONNECTOR ASSEMBLY  
KEY 1 & KEY 5



32WAY CONNECTOR ASSEMBLY  
KEY 2 & KEY 6



32WAY CONNECTOR ASSEMBLY  
KEY 3 & KEY 7



32WAY CONNECTOR ASSEMBLY  
KEY 4 & KEY 8

NOTES: VALID UNLESS OTHERWISE SPECIFIED

1. GENERAL:
  - a. APPLICATION SPECIFICATION SEE: AS-160014-001
  - b. PRODUCT SPECIFICATION SEE: PS-160014-001
  - c. PACKAGING SPECIFICATION PER MOLEX DRAWING: PK-31302-266
  - d. PARTS MUST BE IN COMPLIANCE TO MOLEX CHEMICAL SUBSTANCES FOR PRODUCTS AND PACKAGING SPECIFICATION: ES-40000-5016
  - e. DATA MUST BE SUBMITTED UNDER THE MOLEX PART NUMBER TO IMDS (COMPANY ID#13255)
2. DESIGN - MATERIALS:
  - a. SEE BOM TABLE
3. DESIGN - GEOMETRY:
  - a. ALL GRAPHIC DATA IS BASIC (NO TOLERANCE) AND MUST BE TAKEN FROM THE DATA FILE AT ITS LATEST REVISION.
  - b. PRODUCT DESIGN MODEL NUMBER(S): SEE BOM TABLE
  - c. GEOMETRIC DIMENSIONS AND TOLERANCES PER ASME Y14.5M-2009
  - d. EDGES AND UNDIMENSIONED DETAILS PER ISO13715
  - e. CORNERS SHOWN AS SHARP TO BE R 0.2 MAX.
  - f. MARKED TEXT TO INCLUDE RECYCLING CODE, CAVITY ID, VENDOR IDENTIFICATION AND CUSTOMER MATERIAL NUMBER.
    1. LASER ETCHED DATE CODE
      - 1ST THROUGH 2ND DIGIT = CALENDAR YEAR
      - 3RD THROUGH 5TH DIGIT = "DAY #" OF YEAR
      - 6TH THROUGH 7TH DIGIT = HOUR OF DAY
      - 8TH THROUGH 9TH DIGIT = MINUTE OF HOUR
      - 10TH THROUGH 11TH DIGIT = SECOND OF MINUTE
4. DESIGN - MANUFACTURING:
  - a. VISUAL DEFECTS SHALL MEET COSMETIC STANDARD PS-45499-002 (Class B)

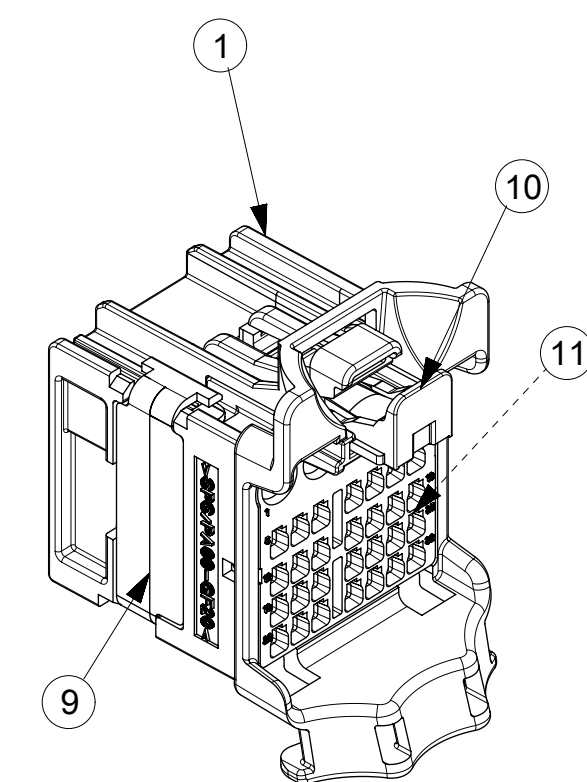
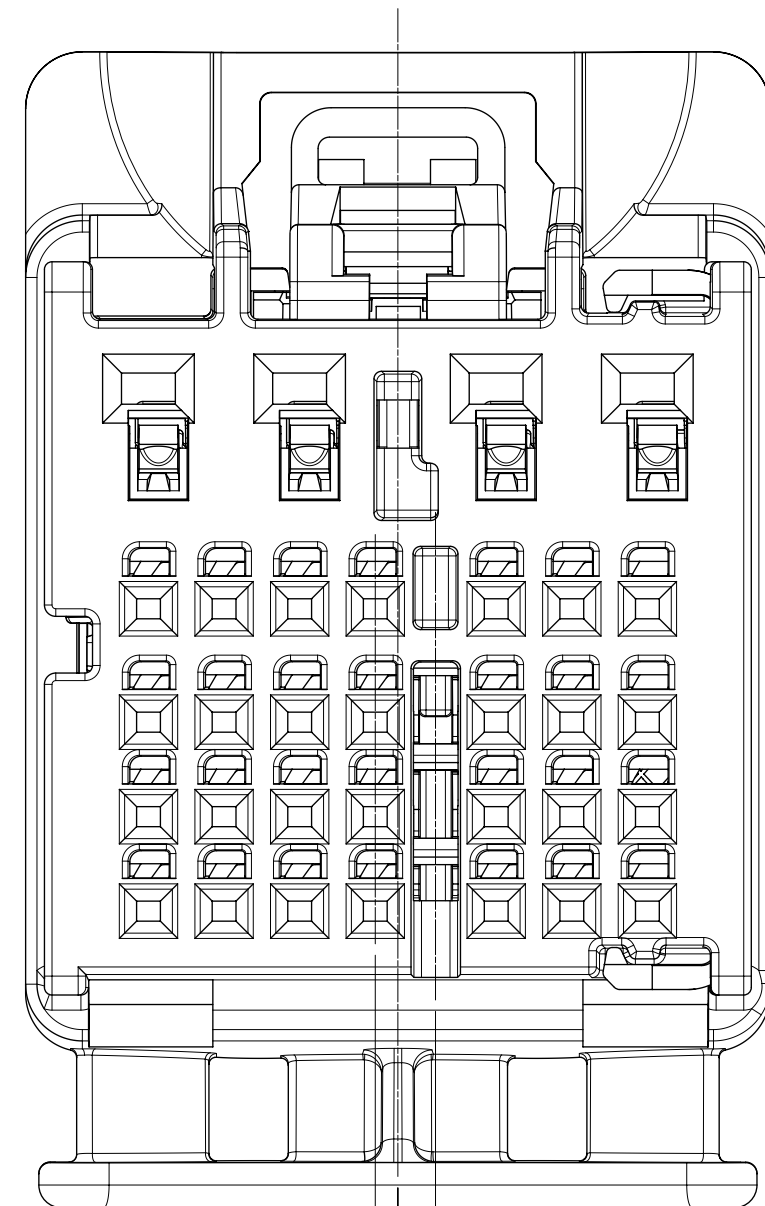
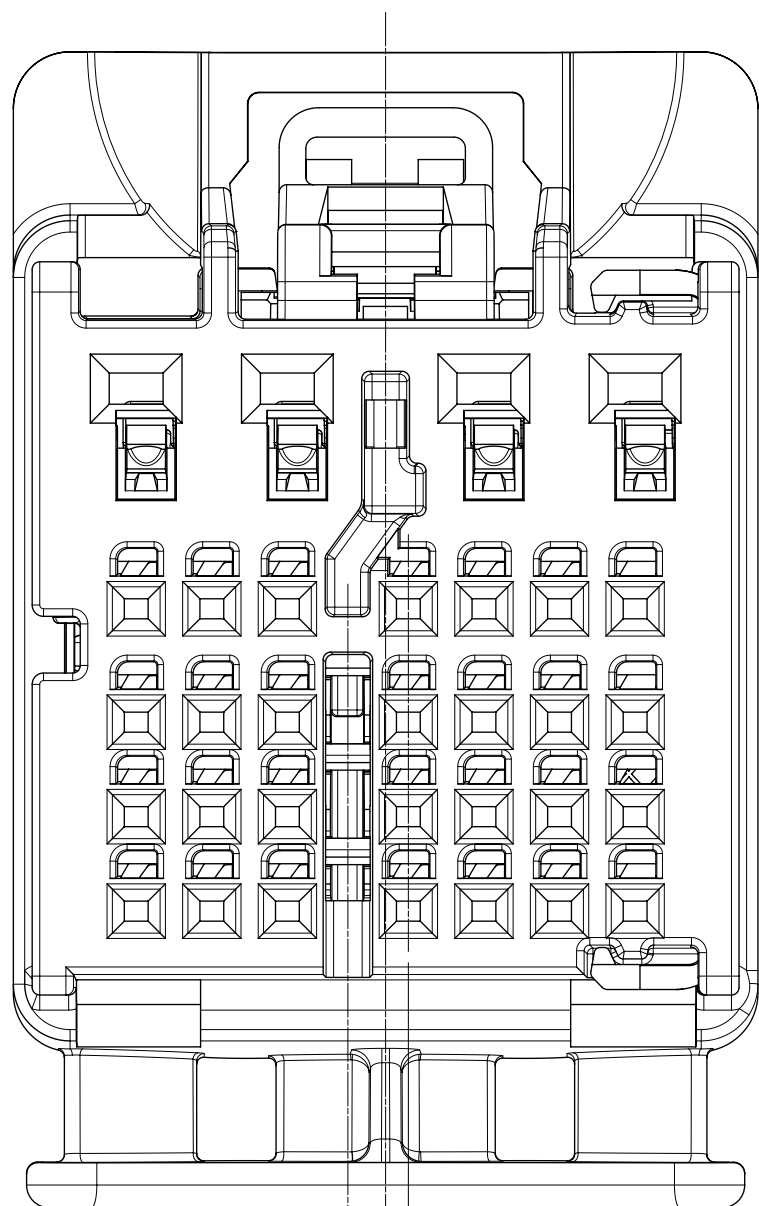
PART NUMBER	PLATING	SUPPLIER	WIRE GAGE (mm2)	TERMINAL FAMILY	WIRE SPECIFICATION
200096-0101	TIN PLATING	MOLEX	0.35	TAK FAMILY (0.5 mm)	VW 60306 OR GMW 15626 (SEE APPLICATION SPECIFICATION FOR MORE DETAILS)
200096-0201	TIN PLATING	MOLEX	0.13	TAK FAMILY (0.5 mm)	
2272196-2	TIN PLATING	TE	0.35	Generation 50 Locking Lance (0.5mm)	SAE/ J1128 THIN WALL INSULATION
2272196-1	TIN PLATING	TE	0.13	Generation 50 Locking Lance (0.5mm)	
13881789	TIN PLATING	DELPHI	0.35 - 0.5	TAXI TERM OCS 1.2	GMW 15626 INSULATION TYPE FLR (REGULAR THIN WALL)
13881788	TIN PLATING	DELPHI	0.75 - 0.8	TAXI TERM OCS 1.2	
SMSA-A031T-M1.2	TIN PLATING	JST	0.5 - 0.75	MSA 1.2mm TERMINAL	
SMSA-A041T-M1.2	TIN PLATING	JST	1.0 - 1.5	MSA 1.2mm TERMINAL	

MOLEX ASSEMBLY PART NO.'S	
1600280001	KEY 1
1600280002	KEY 2
1600280003	KEY 3
1600280004	KEY 4
1600280005	KEY 5
1600280006	KEY 6
1600280007	KEY 7
1600280008	KEY 8

ITEM	DESCRIPTION	COLOR	RECYCLING CODE	WEIGHT (GRAMS)	RIB OPTION	NO OF ITEMS REQUIRED														
1	OUTER SHROUD - KEY 1	BLACK	SPS/PA66-GF20	3.2	A	1														
2	OUTER SHROUD - KEY 2	BLUE	SPS/PA66-GF20	3.2	A		1													
3	OUTER SHROUD - KEY 3	DARK GRAY	SPS/PA66-GF20	3.2	A			1												
4	OUTER SHROUD - KEY 4	PURPLE C	SPS/PA66-GF20	3.2	A				1											
5	OUTER SHROUD - KEY 5	PINK B	SPS/PA66-GF20	3.2	B					1										
6	OUTER SHROUD - KEY 6	TBD	SPS/PA66-GF20	3.2	B									1						
7	OUTER SHROUD - KEY 7	LIGHT BROWN	SPS/PA66-GF20	3.2	B														1	
8	OUTER SHROUD - KEY 8	TBD	SPS/PA66-GF20	3.2	B															1
9	ISL	NATURAL	SPS-GF30	0.37	N/A	1	1	1	1	1	1	1	1	1	1	1	1	1	1	1
10	CPA	NATURAL	PA66-GF50	0.08	N/A	1	1	1	1	1	1	1	1	1	1	1	1	1	1	1
11	INNER HOUSING	STONE GRAY	SPS/PA66-GF20	1.75	N/A	1	1	1	1											
12	INNER HOUSING	STONE GRAY	SPS/PA66-GF20	1.75	N/A										1	1	1	1		

RIB OPTION A

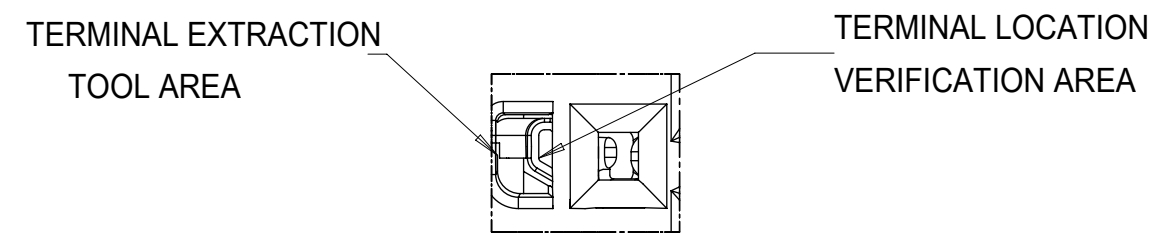
RIB OPTION B



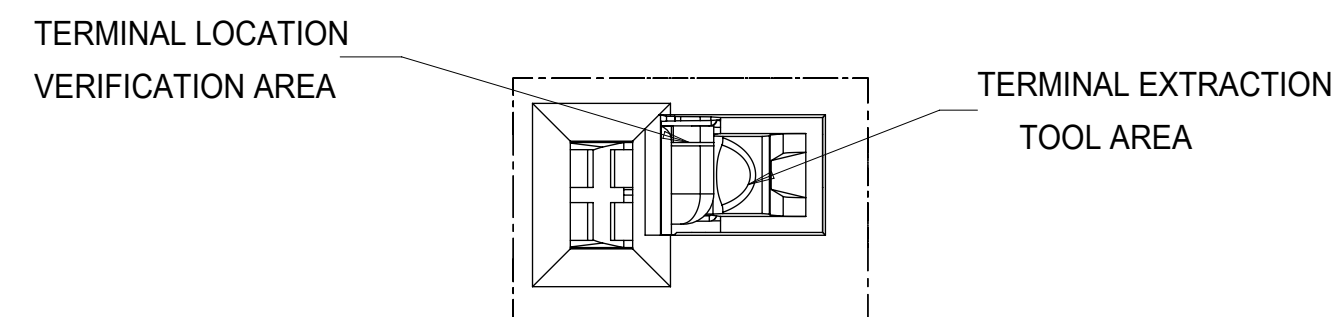
SCALE 2:1

B	ADD TAK50 TERMINAL OPTS JCONDON 09/11/2017
A1	NX RE-MASTERING SAP # 10816434
A	UAU2016-0946 SAP # 10778144 JCONDON 05/25/2016
4	UAU2015-1899 SAP # 10698159 JCONDON 06/17/2015
3	UAU2015-1302 SAP # 10694008 JCONDON 05/29/2015
2	UAU2015-1606 SAP # 10685685 JCONDON 04/23/2015
1	UAU2014-1923 SAP # XXXXXXXX CBOWDEN 12/05/2013

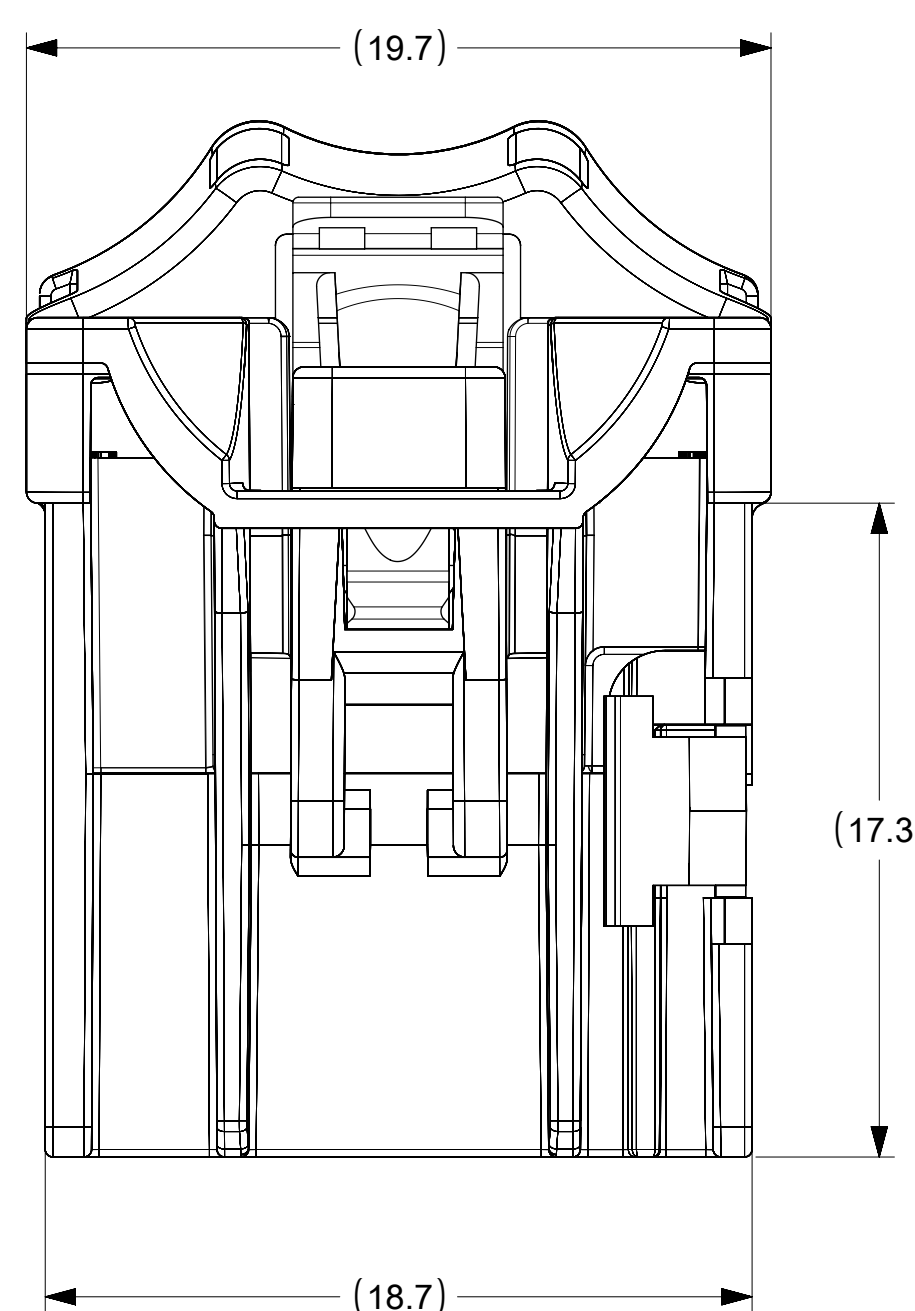
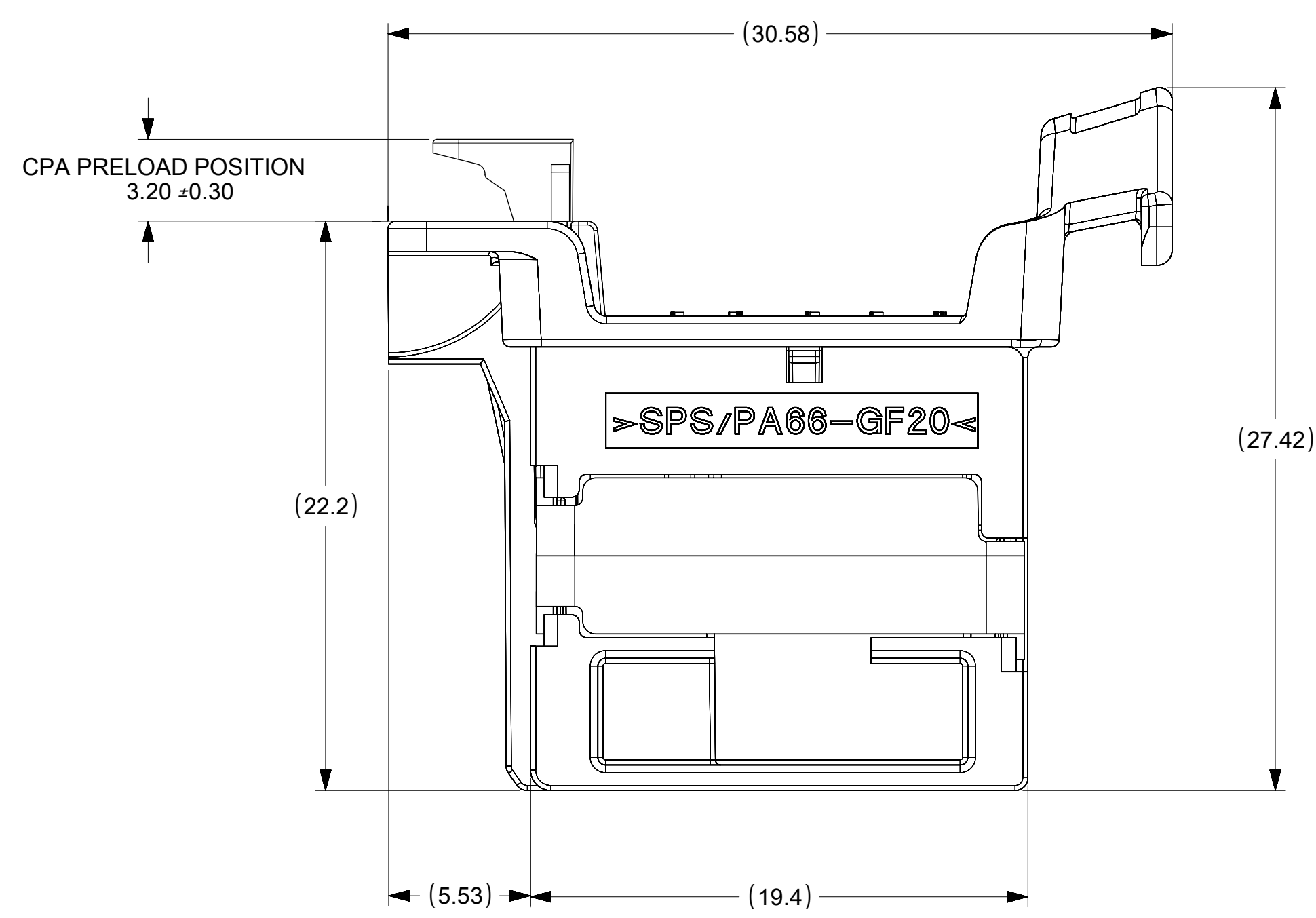
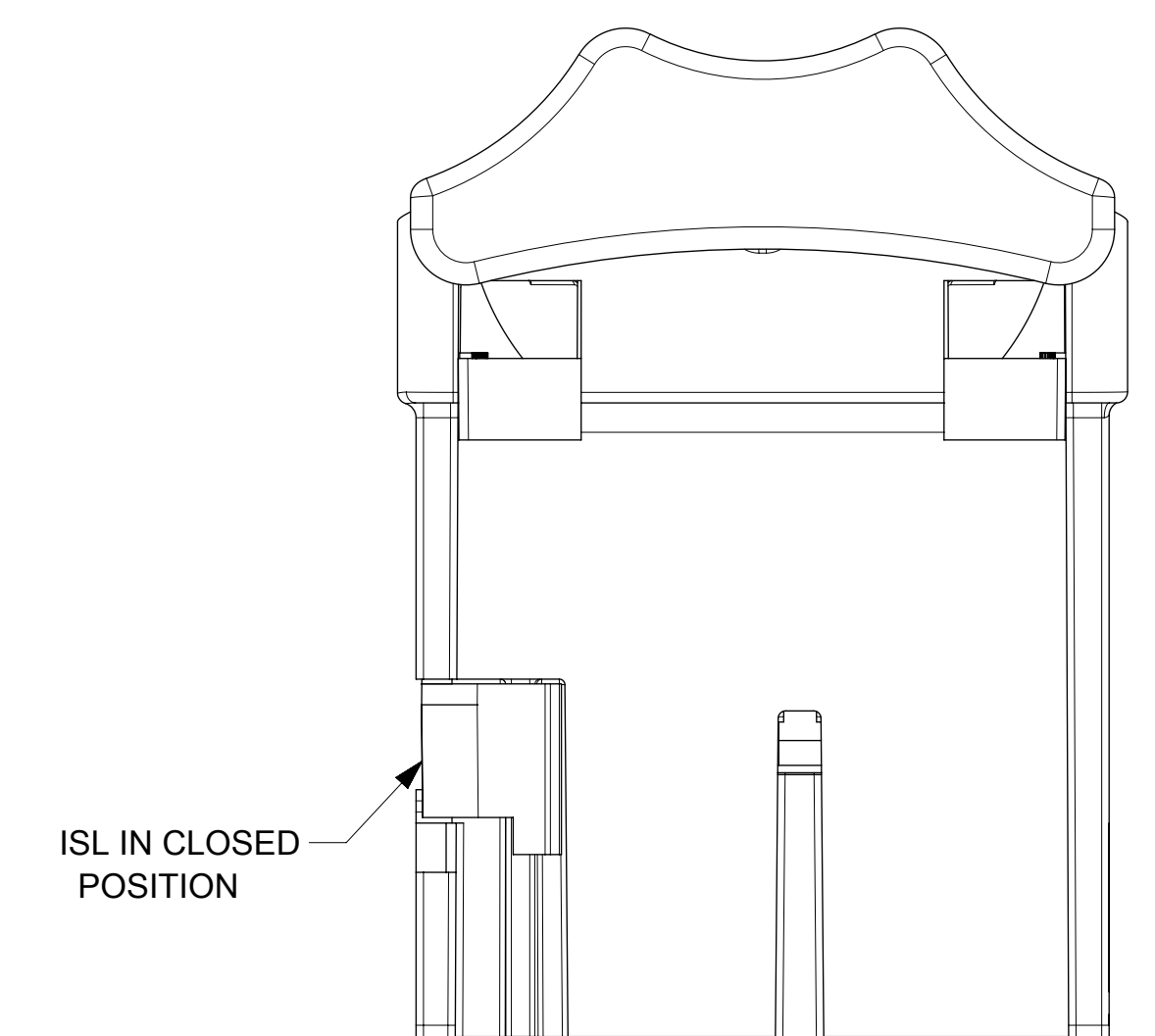
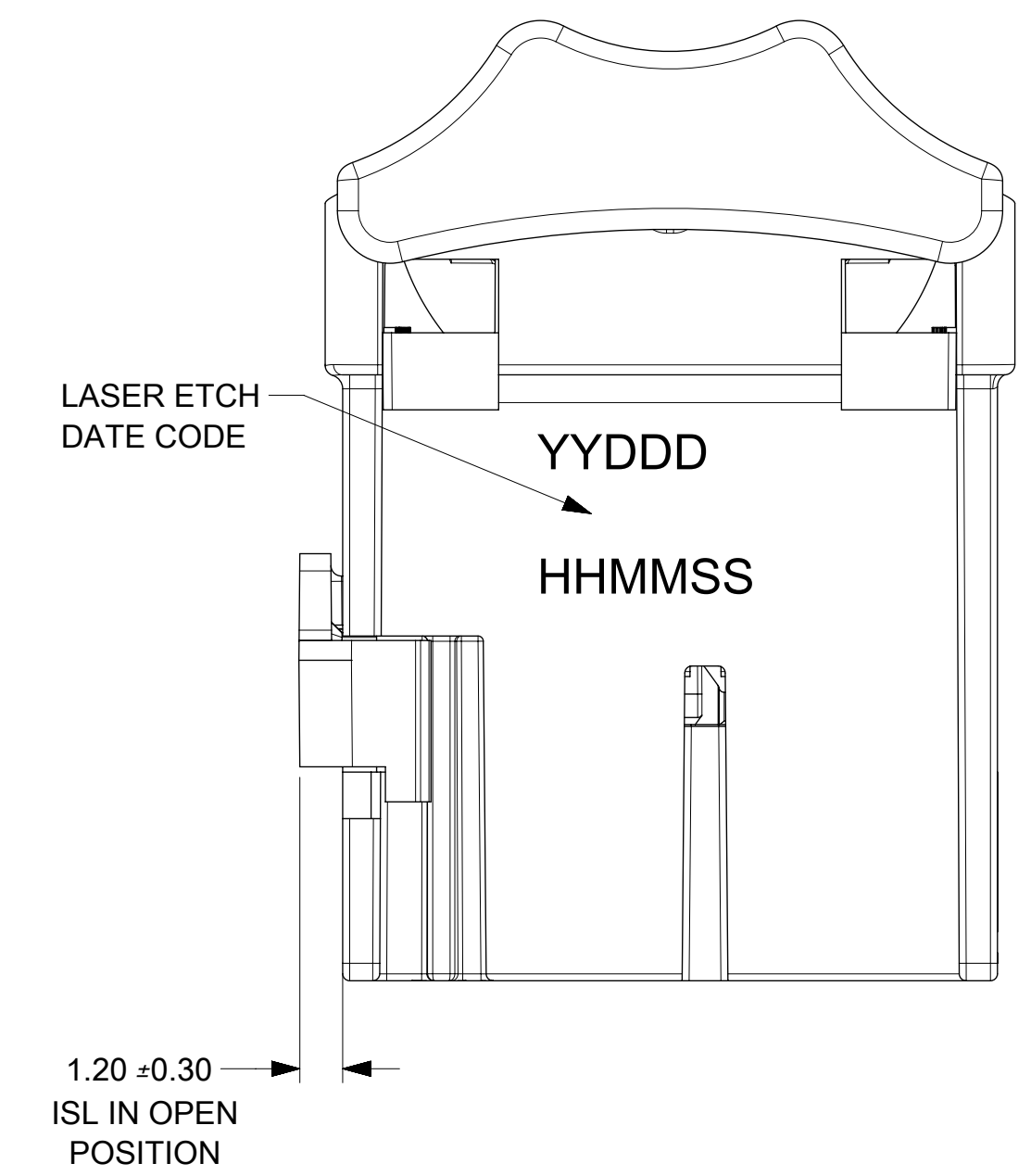
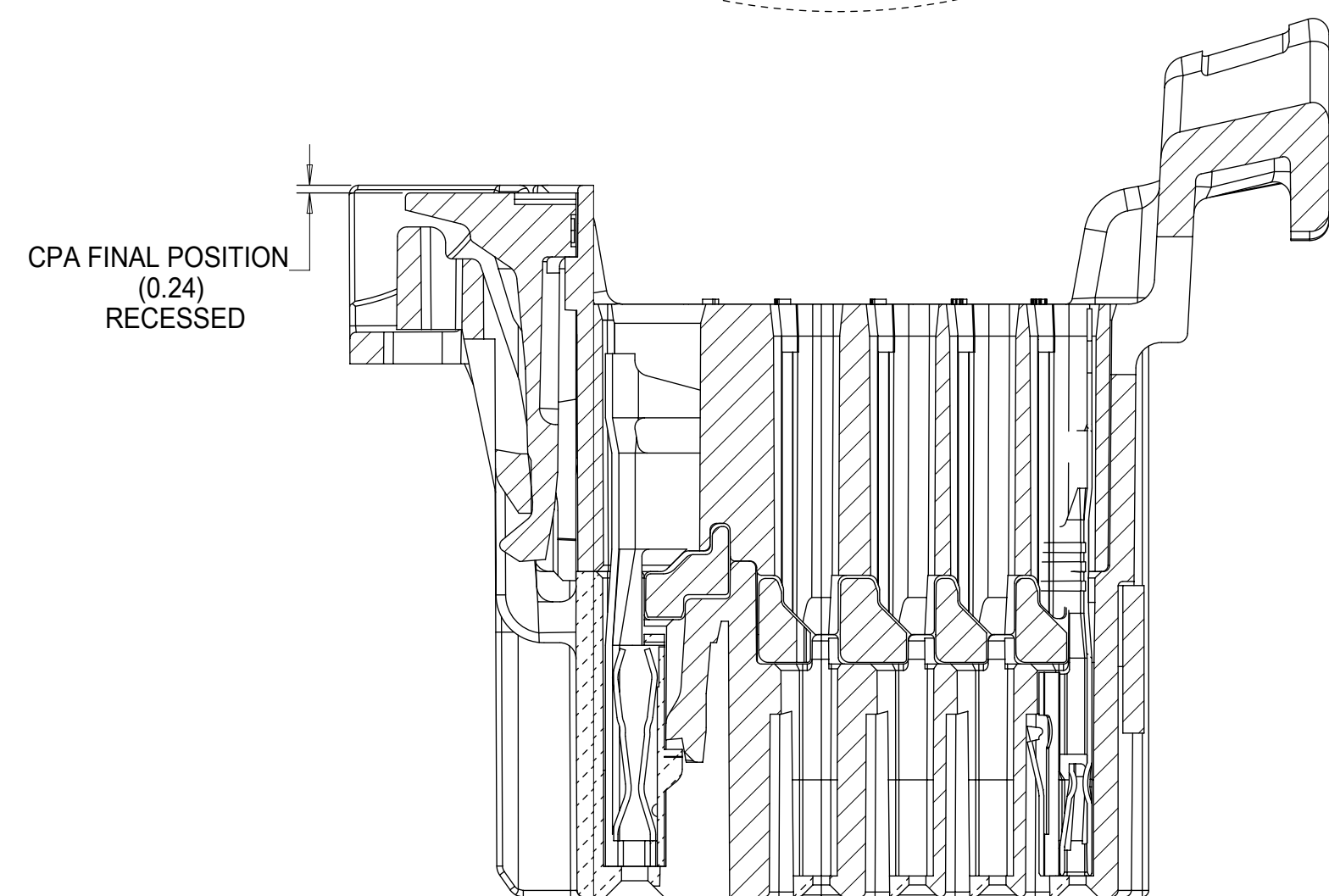
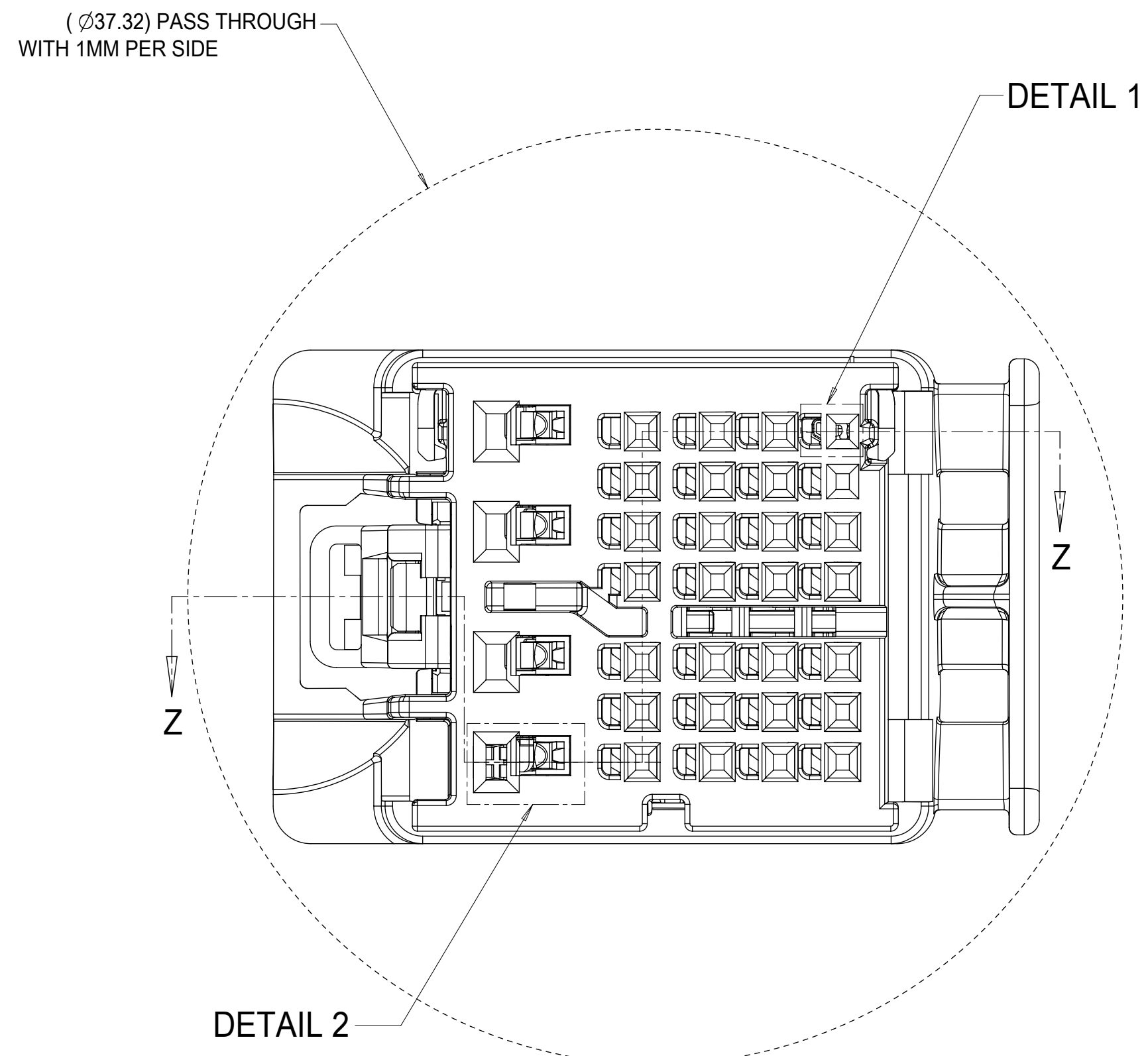
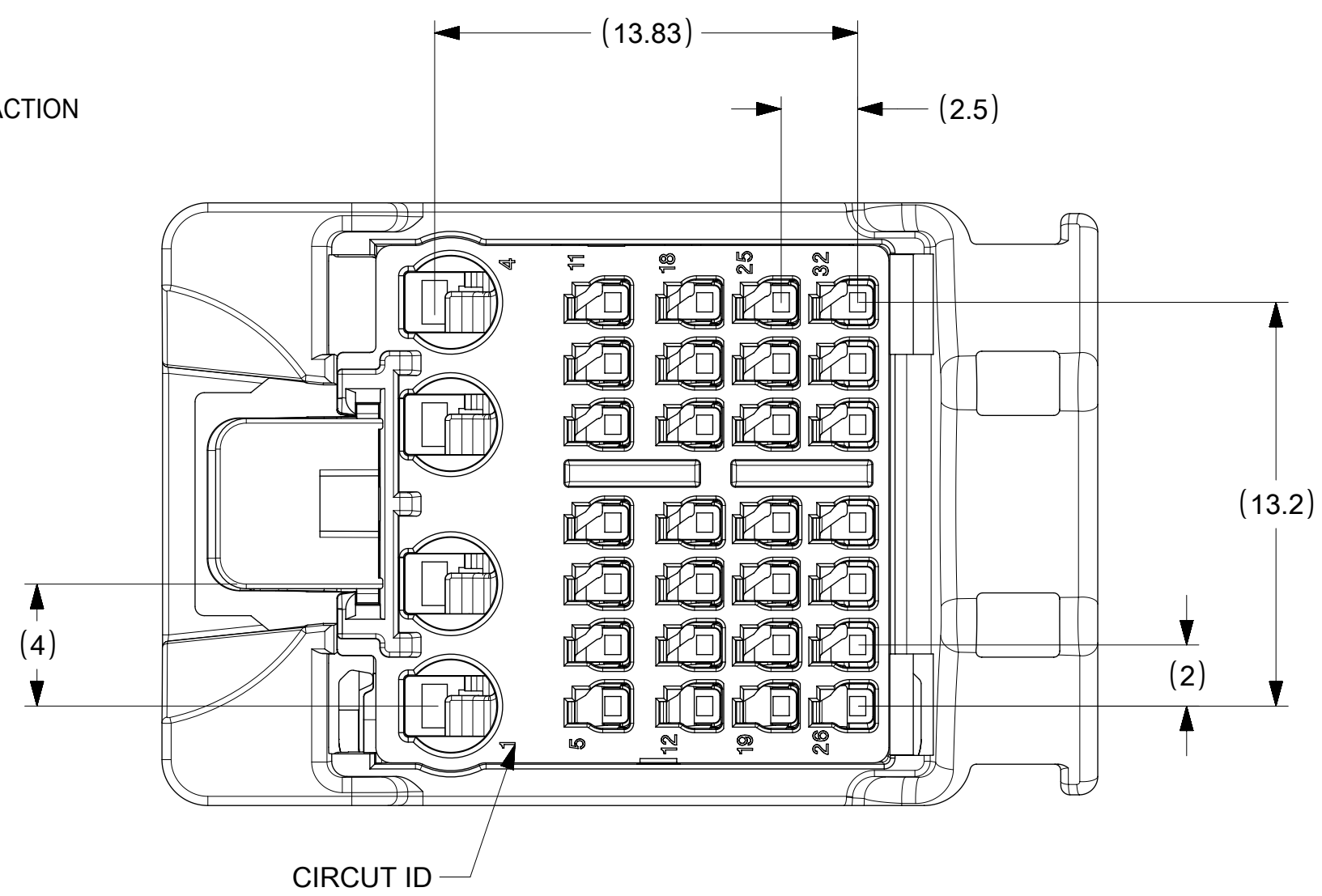
QUALITY SYMBOLS F = 0 E = 0 E = 0 ▽ = 0 C = 0 ⊠ = 0 ■ = 0 ▽ = 0	THIS DRAWING CONTAINS INFORMATION THAT IS PROPRIETARY TO MOLEX ELECTRONIC TECHNOLOGIES, LLC AND SHOULD NOT BE USED WITHOUT WRITTEN PERMISSION		DIMENSION UNITS: mm SCALE: 5:1		
	GENERAL TOLERANCES (UNLESS SPECIFIED) ANGULAR TOL ± 3.0 °		DRWN BY: CBOWDEN DATE: 2013/12/05	32WAY STAK50H HYBRID CONNECTOR ASSEMBLY	
	4 PLACES ± 3 PLACES ± 2 PLACES ± 0.3 1 PLACE ± 0.3 0 PLACES ± 0.3		CHKD BY: JCONDON DATE: 2014/05/12		
	DRAFT WHERE APPLICABLE MUST REMAIN WITHIN DIMENSIONS		APPR BY: KDEKOSKI DATE: 2014/06/16	PRODUCT CUSTOMER DRAWING	
EC NO: 167694 DRWN: JCONDON CHKD: JCONDON REV APPR: JCONDON	B	DRAWING SIZE: D THIRD ANGLE PROJECTION	SERIES: 160028 MATERIAL NUMBER: CHARTED CUSTOMER: GENERAL MARKET	DOCUMENT NUMBER: SD-160028-0001 DOC TYPE: PSD DOC PART: 000 SHEET NUMBER: 1 OF 2	



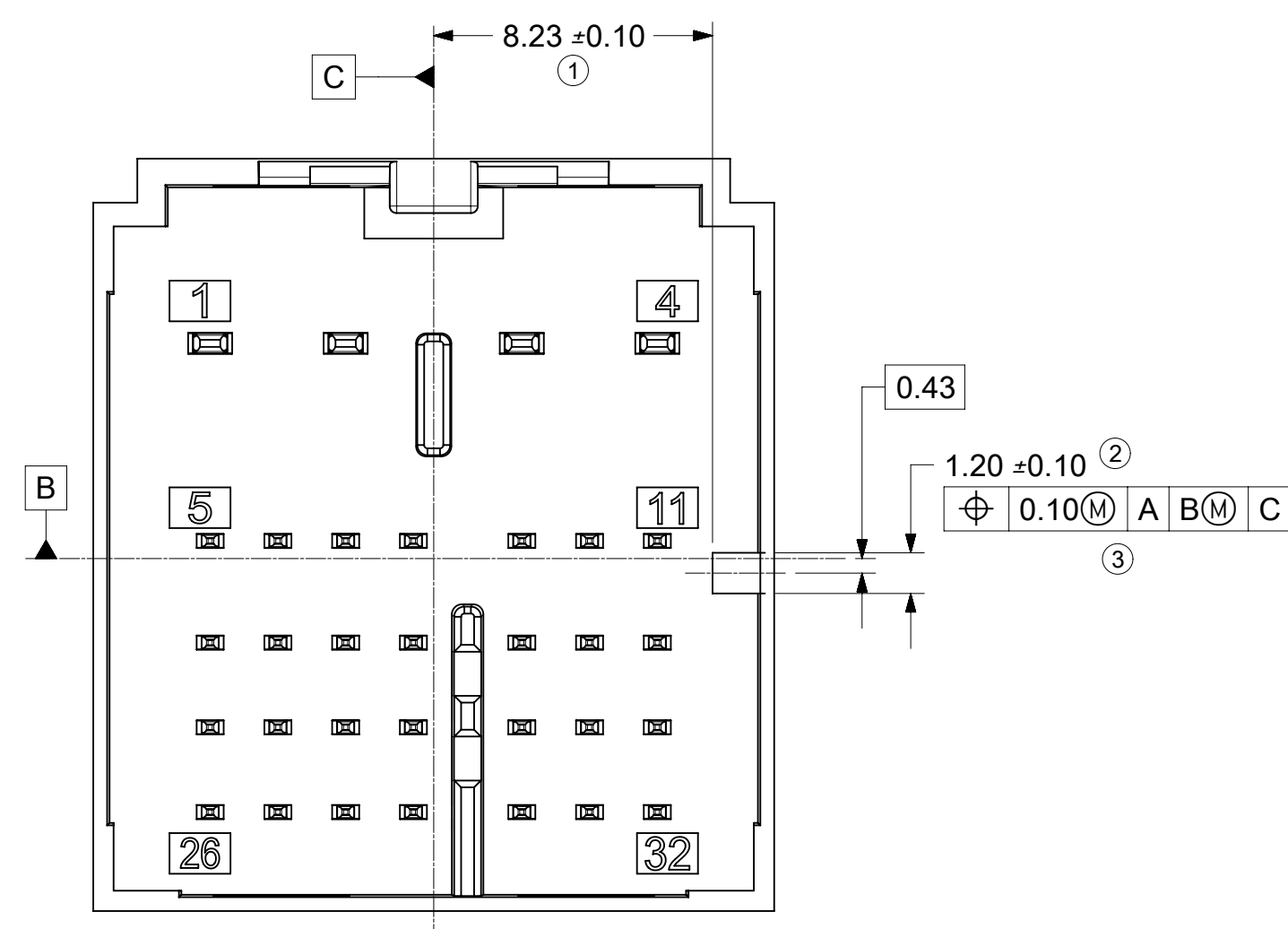
DETAIL 1  
SCALE 10:1



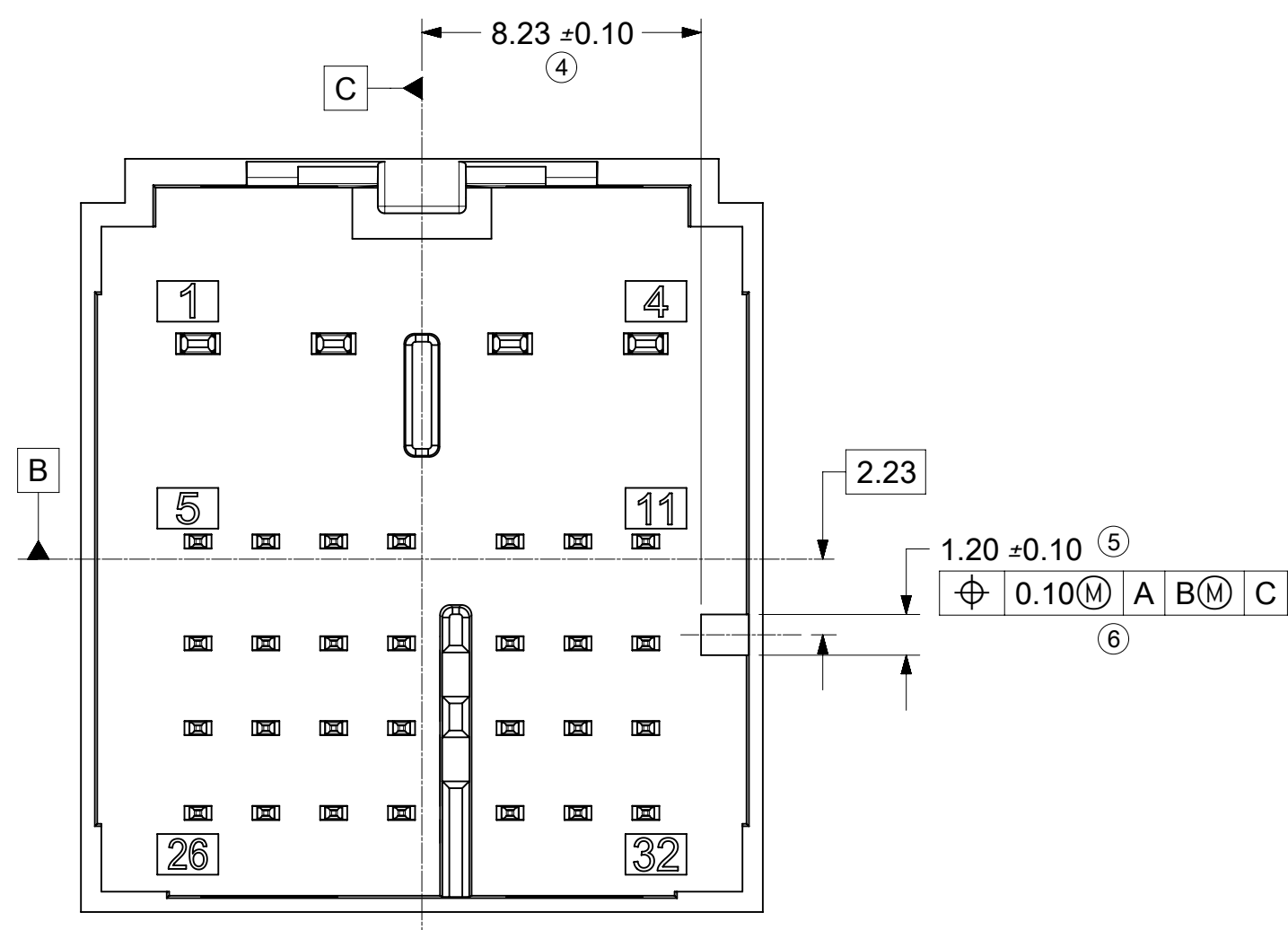
DETAIL 2  
SCALE 10:1



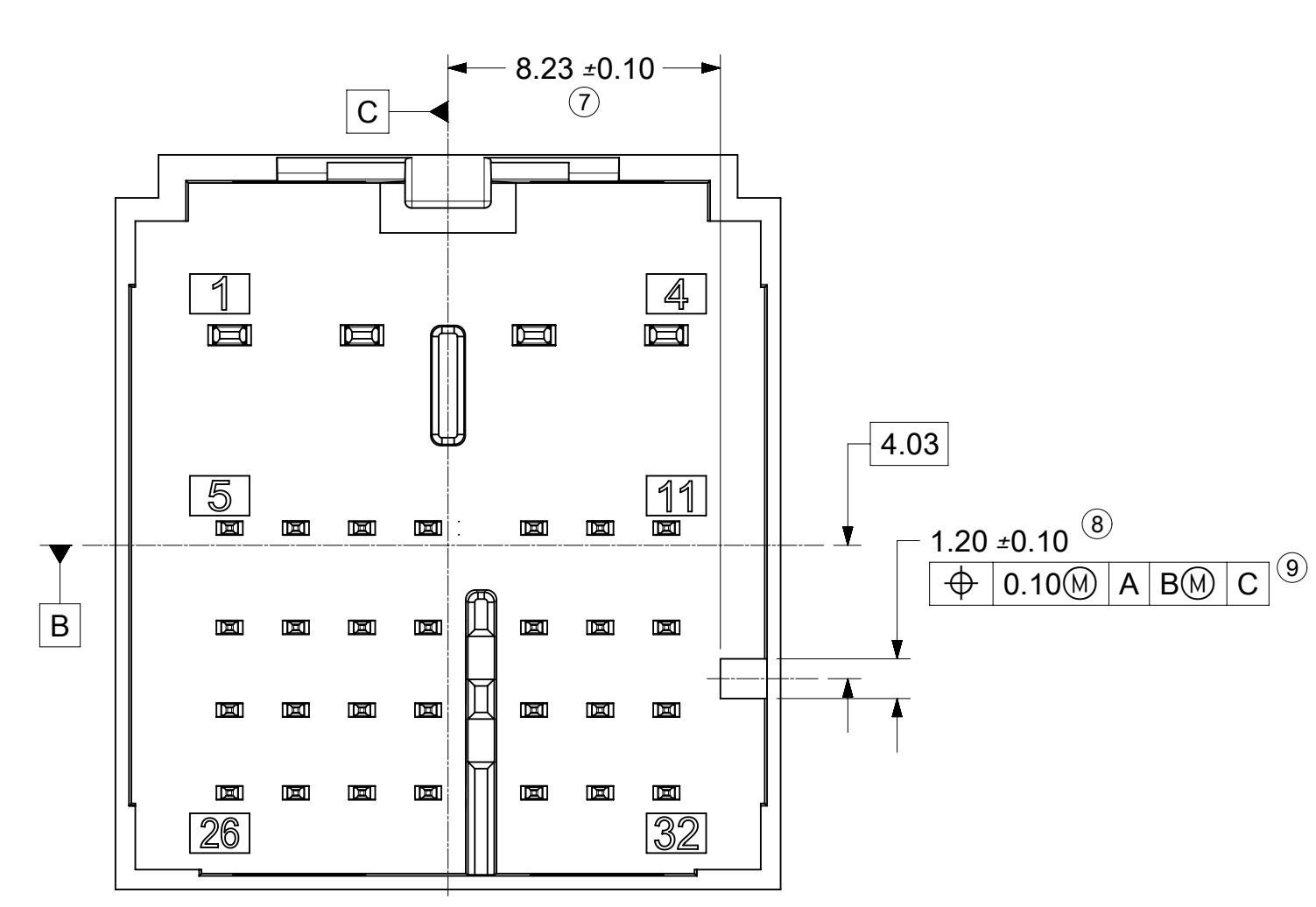
<b>QUALITY SYMBOLS</b> F = 0 E = 0 E = 0 = 0 C = 0 X = 0 = 0 = 0	THIS DRAWING CONTAINS INFORMATION THAT IS PROPRIETARY TO MOLEX ELECTRONIC TECHNOLOGIES, LLC AND SHOULD NOT BE USED WITHOUT WRITTEN PERMISSION		DIMENSION UNITS <b>mm</b>	SCALE <b>5:1</b>	
	EC NO: 167694 DRWN: JCONDON CHKD: JCONDON REV APPR: JCONDON	2017/09/11 2018/01/03 2018/01/04	GENERAL TOLERANCES (UNLESS SPECIFIED) ANGULAR TOL ± 3.0° 4 PLACES ± 3 PLACES ± 2 PLACES ± 0.3 1 PLACE ± 0.3 0 PLACES ± 0.3 DRAFT WHERE APPLICABLE MUST REMAIN WITHIN DIMENSIONS	DRWN BY <b>CBOWDEN</b>	
<b>B</b>	DRWING SIZE <b>D</b>	THIRDO ANGLE PROJECTION	APPR BY <b>KDEKOSKI</b>	DATE <b>2014/06/16</b>	PRODUCT CUSTOMER DRAWING
RELEASE STATUS	RELEASE DATE	SERIES <b>160028</b>	MATERIAL NUMBER <b>CHARTED</b>	CUSTOMER <b>GENERAL MARKET</b>	DOCUMENT NUMBER <b>SD-160028-0001</b>
		DOC TYPE <b>PSD</b>	DOC PART <b>000</b>	SHEET NUMBER <b>2 OF 2</b>	



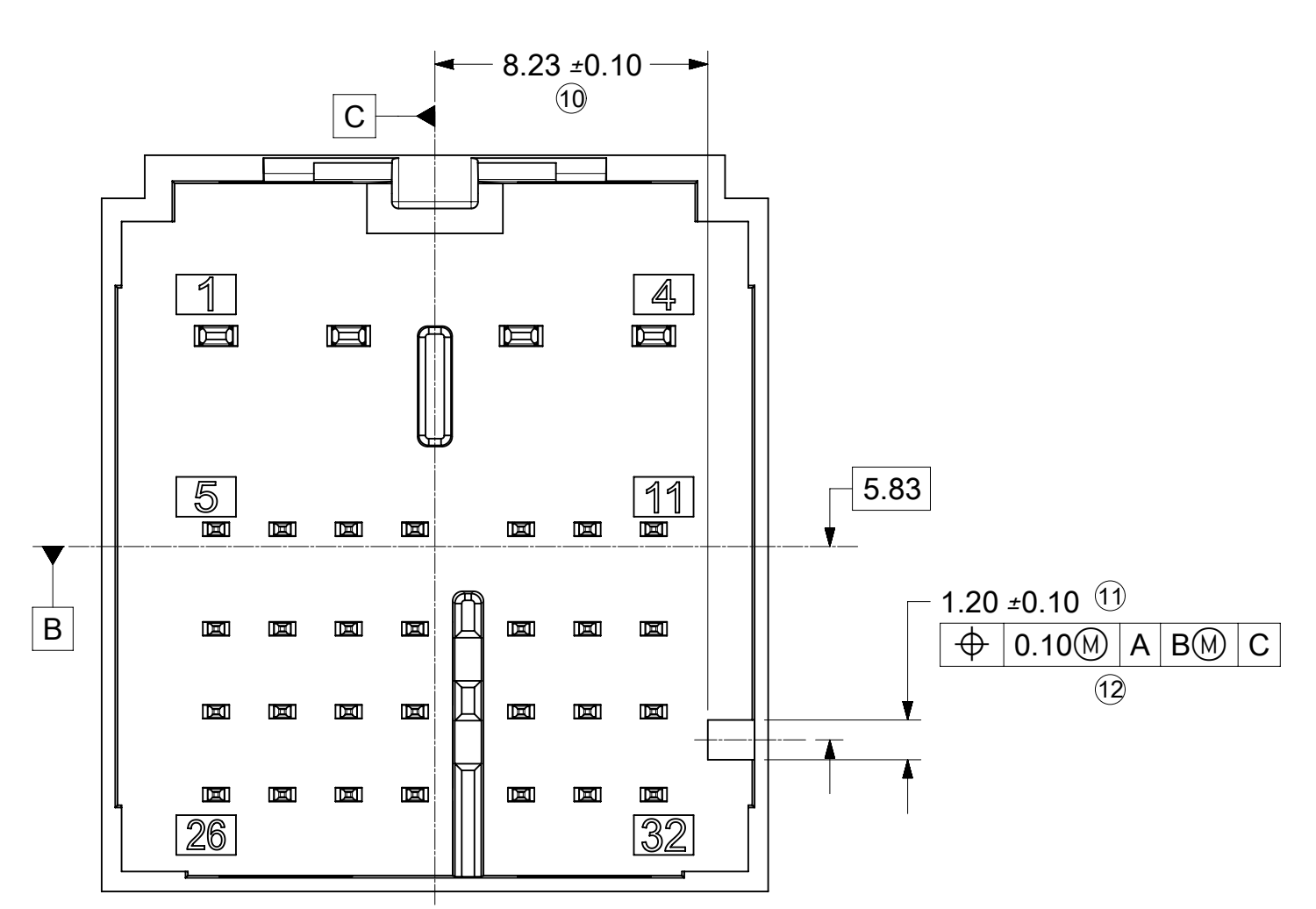
INTERFACE KEY 1 & KEY 5



INTERFACE KEY 2 & KEY 6



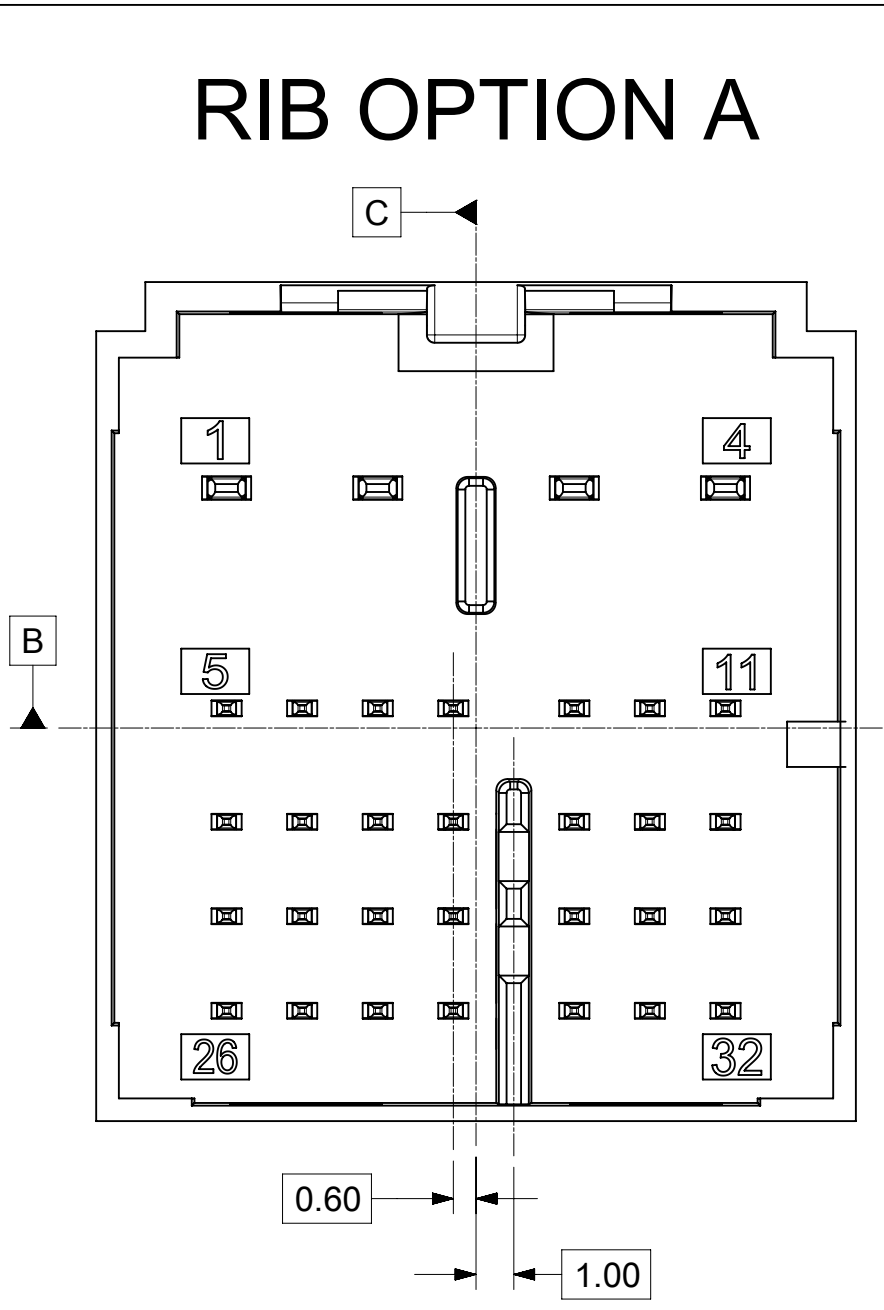
INTERFACE KEY 3 & KEY 7



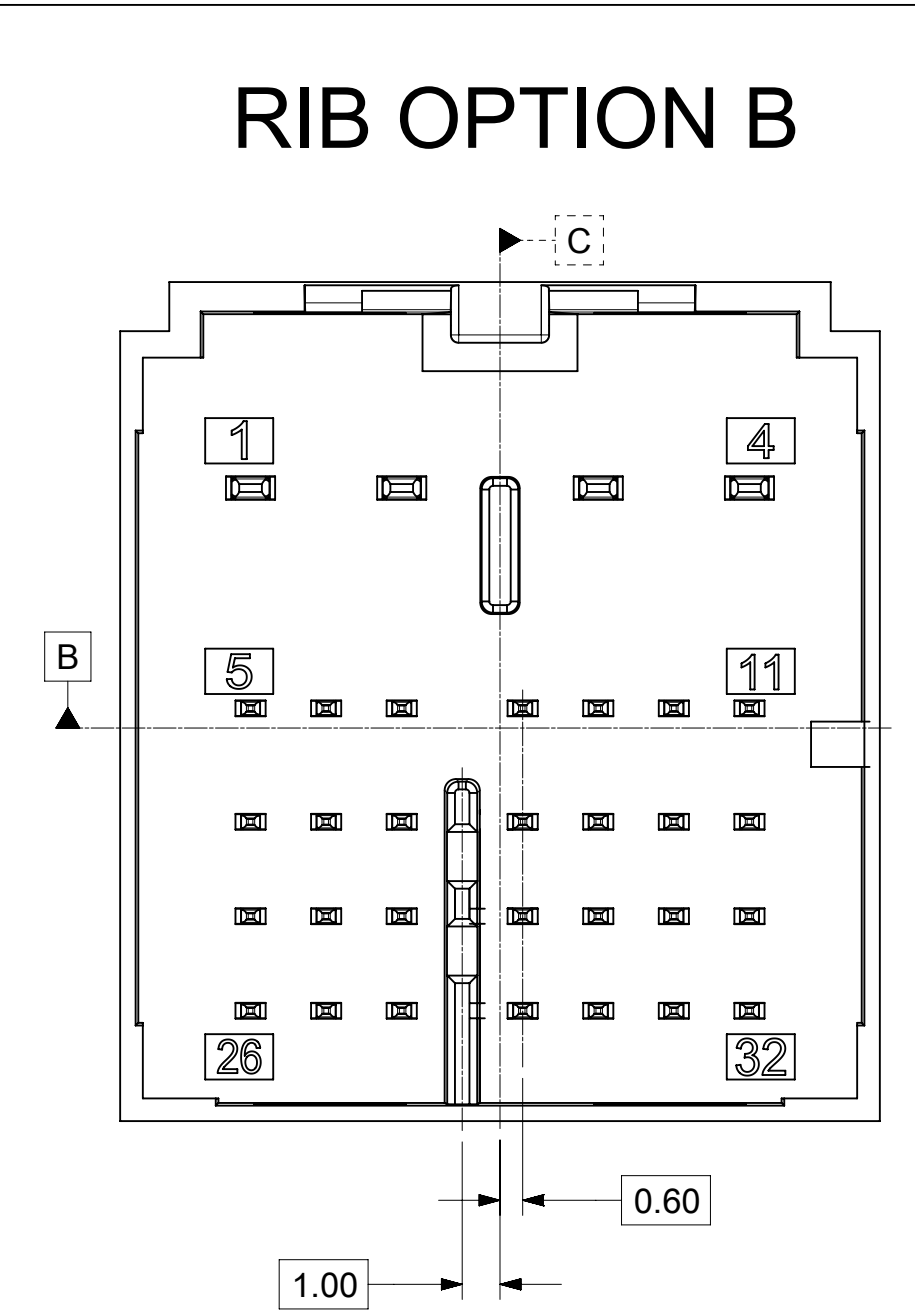
INTERFACE KEY 4 & KEY 8

INTERFACE OPTIONS		
KEY	RIB OPTION	MATING CONNECTOR COLOR
1	OPTION A	BLACK
2	OPTION A	BLUE
3	OPTION A	DARK GRAY
4	OPTION A	PURPLE C
5	OPTION B	PINK B
6	OPTION B	TBD
7	OPTION B	LIGHT BROWN
8	OPTION B	TBD

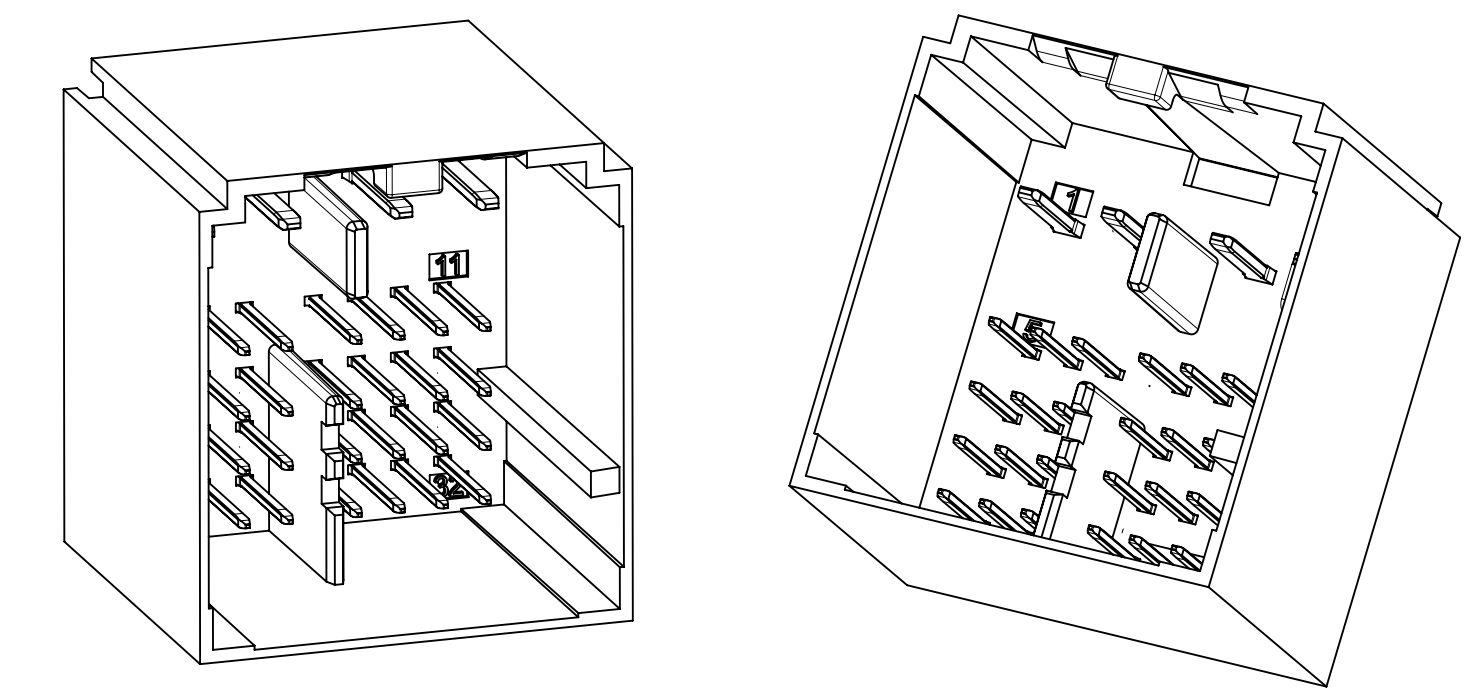
- NOTES: VALID UNLESS OTHERWISE SPECIFIED
- DESIGN - MATERIALS:
    - RESIN MATERIAL: PBT+GF30 OR SPS+GF30 OR EQUIVALENT
    - PIN/BLADE MATERIAL: ACCORDING TO USCAR DRAWING EWCAP-001 NOTE B2.
    - PLATING: ACCORDING TO USCAR DRAWING EWCAP-001 TIN REFLOW WITH UNDERPLATE.
    - PIN TIPS ACCORDING TO USCAR DRAWING EWCAP-001 (120-T002 & 050-T001)
    - DEVIATION TO EWCAP-001 ACCEPTABLE IF PERFORMANCE (ELECTRICAL/MECHANICAL) IS SHOWN TO BE EQUAL OR BETTER AS REQUIRED BY VALIDATION TESTING.
  - DESIGN - GEOMETRY:
    - ALL GRAPHIC DATA IS BASIC (NO TOLERANCE) AND MUST BE TAKEN FROM THE DATA FILE AT ITS LATEST REVISION.
    - GEOMETRIC DIMENSIONS AND TOLERANCES PER ASME Y14.5M-2009
    - GENERAL TOLERANCES:
      - LINEAR: PER DIN 16901 LINEAR CODE B FOR PRECISION ENGINEERING
      - ANGULAR: -3°
    - EDGES AND UNDIMENSIONED DETAILS PER ISO13715
    - CORNERS SHOWN AS SHARP TO BE R 0.2 MAX.
    - LETTERING SHALL BE 0.15 MAX RAISED IN 0.25 MAX RECESS PAD. THIS INCLUDES RECYCLING CODE, CAVITY ID, VENDOR IDENTIFICATION, AND CUSTOMER MATERIAL NUMBER. (for small parts: LETTERING SHALL BE 0.10 MAX RAISED IN 0.15 MAX RECESS PAD)
  - DESIGN - MANUFACTURING:
    - DRAFT TO BE WITHIN TOLERANCE.



RIB OPTION A

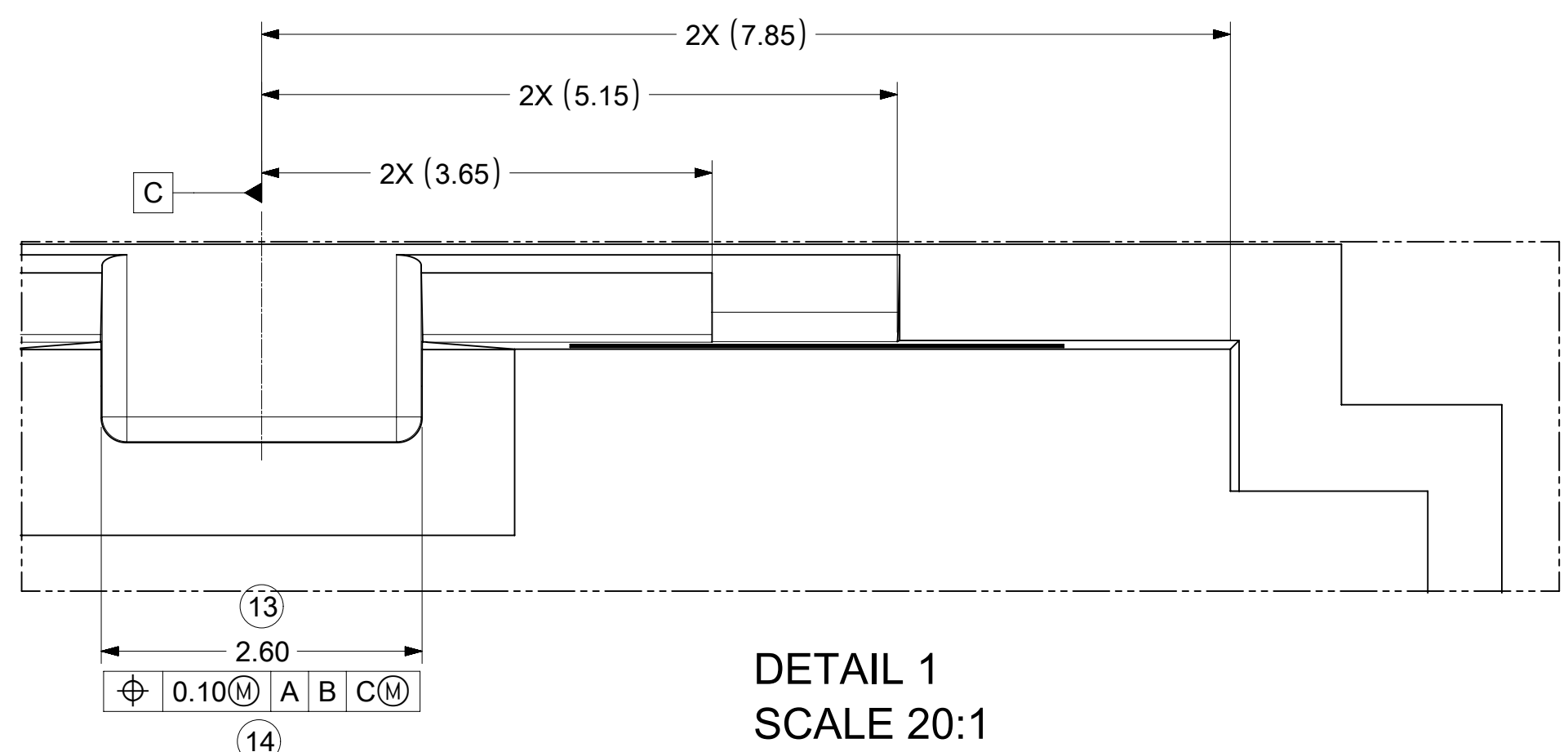


RIB OPTION B

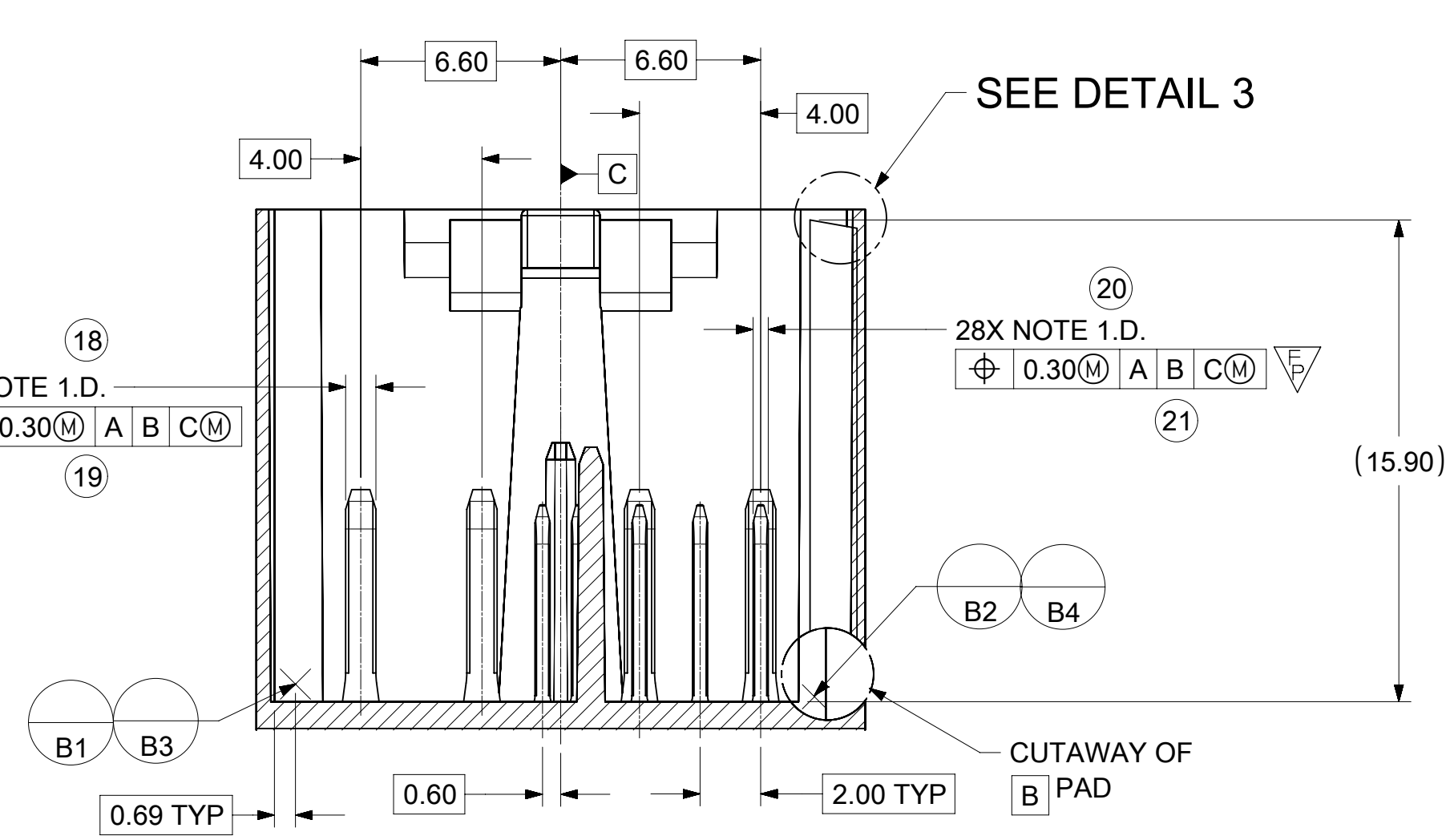


REV	DESCRIPTION
B1	ADDED BALLOONS JCONDON 08/02/2018
B	REMOVED 0.2MM FROM CONNECTOR LOCK TAB FEATURE
A1	ADDED NOTE 1.E JCONDON 11/13/2017
A	NX-REMASTERING SAP # 10867412
7	UAU2016-1182 SAP # 10762453 JCONDON 02/08/2016
6	UAU2015-1446 SAP # 10681629 JCONDON 03/25/2015
5	UAU2015-1212 SAP # 10674908 JCONDON 02/06/2015
4	UAU2015-0982 SAP # 10670199 JCONDON 12/22/2014
3	UAU2014-1679 SAP # XXXXXXXX KDEKOSKI 05/02/2014
2	UAU2014-1221 SAP # XXXXXXXX MYOUNG01 02/06/2014
1	UAU2014-0715 SAP # XXXXXXXX MYOUNG01 01/02/2014

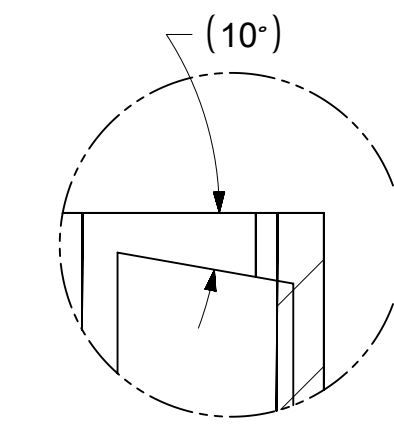
<b>SYMBOLS</b> DIMENSION UNITS: mm SCALE: 5:1 CURRENT REV DESC: ADDED DIMENSION BALLOONS GENERAL TOLERANCES (UNLESS SPECIFIED) ANGULAR TOL: ± ° 4 PLACES ± 3 PLACES ± 2 PLACES ± 1 PLACE ± 0 PLACES ± DRAFT WHERE APPLICABLE MUST REMAIN WITHIN DIMENSIONS THIRD ANGLE PROJECTION DRAWING: D-SIZE SERIES: 160028	<b>THIS DRAWING CONTAINS INFORMATION THAT IS PROPRIETARY TO MOLEX ELECTRONIC TECHNOLOGIES, LLC AND SHOULD NOT BE USED WITHOUT WRITTEN PERMISSION</b>		<b>molex</b> 32WAY STAK50H INTERFACE DRAWING PRODUCT CUSTOMER DRAWING	
	EC NO: 602204 DRWN: JCONDON 2018/08/02 CHK'D: JCONDON 2018/08/03 APPR: MVANSLAMBROU 2018/08/03 INITIAL REVISION: DRWN: MYOUNG01 2013/11/14 APPR: KDEKOSKI 2014/01/02		DOCUMENT NUMBER: SD-160028-002 DOC TYPE: PSD DOC PART: 001 REVISION: B1	MATERIAL NUMBER: GENERAL MARKET CUSTOMER: GENERAL MARKET SHEET NUMBER: 1 OF 3



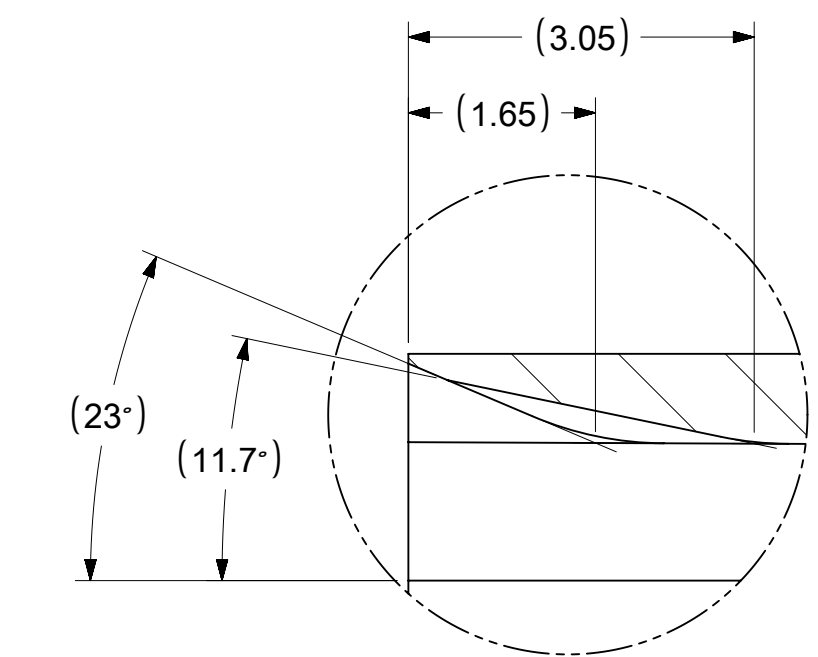
DETAIL 1  
SCALE 20:1



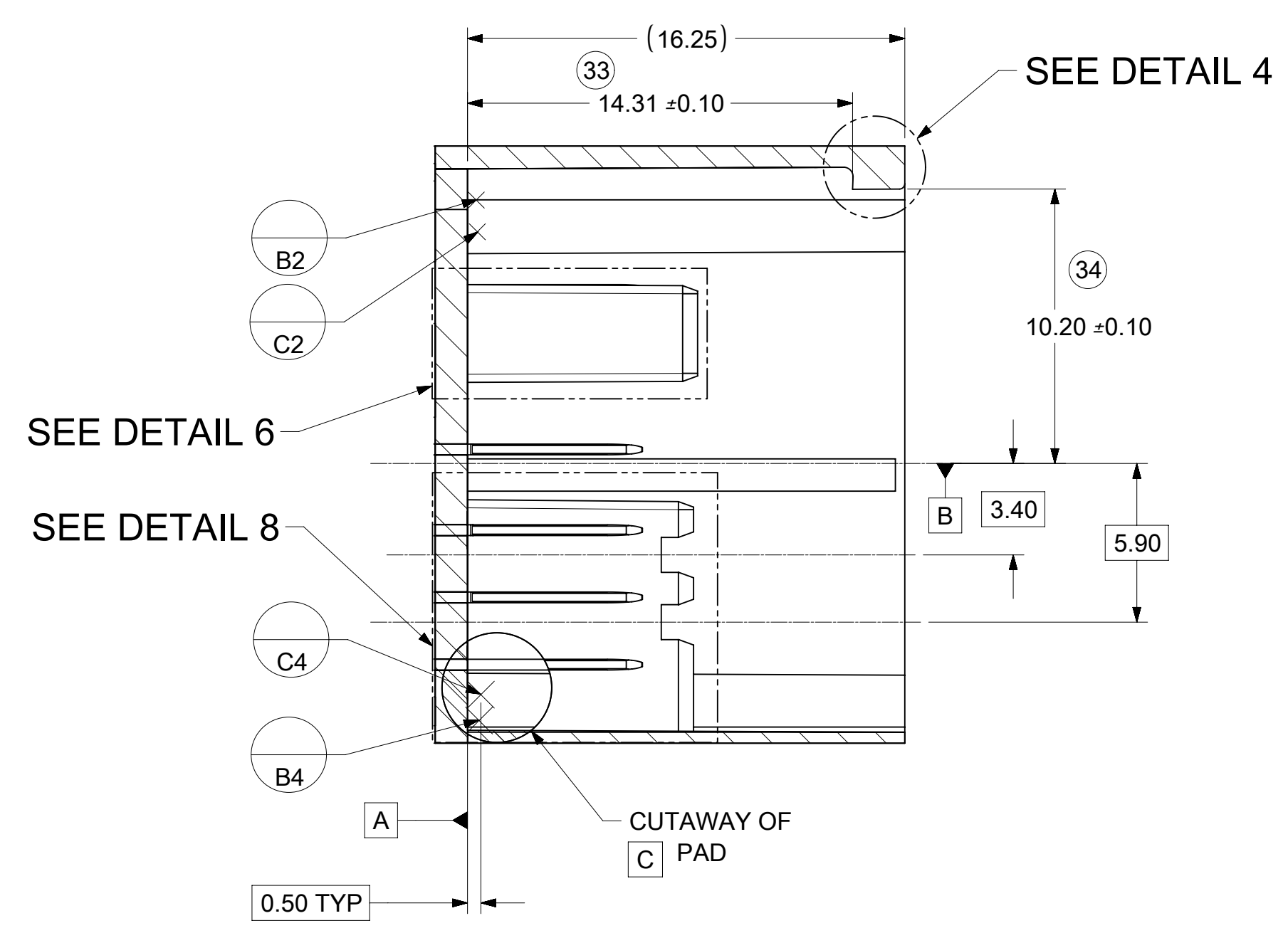
SECTION X-X



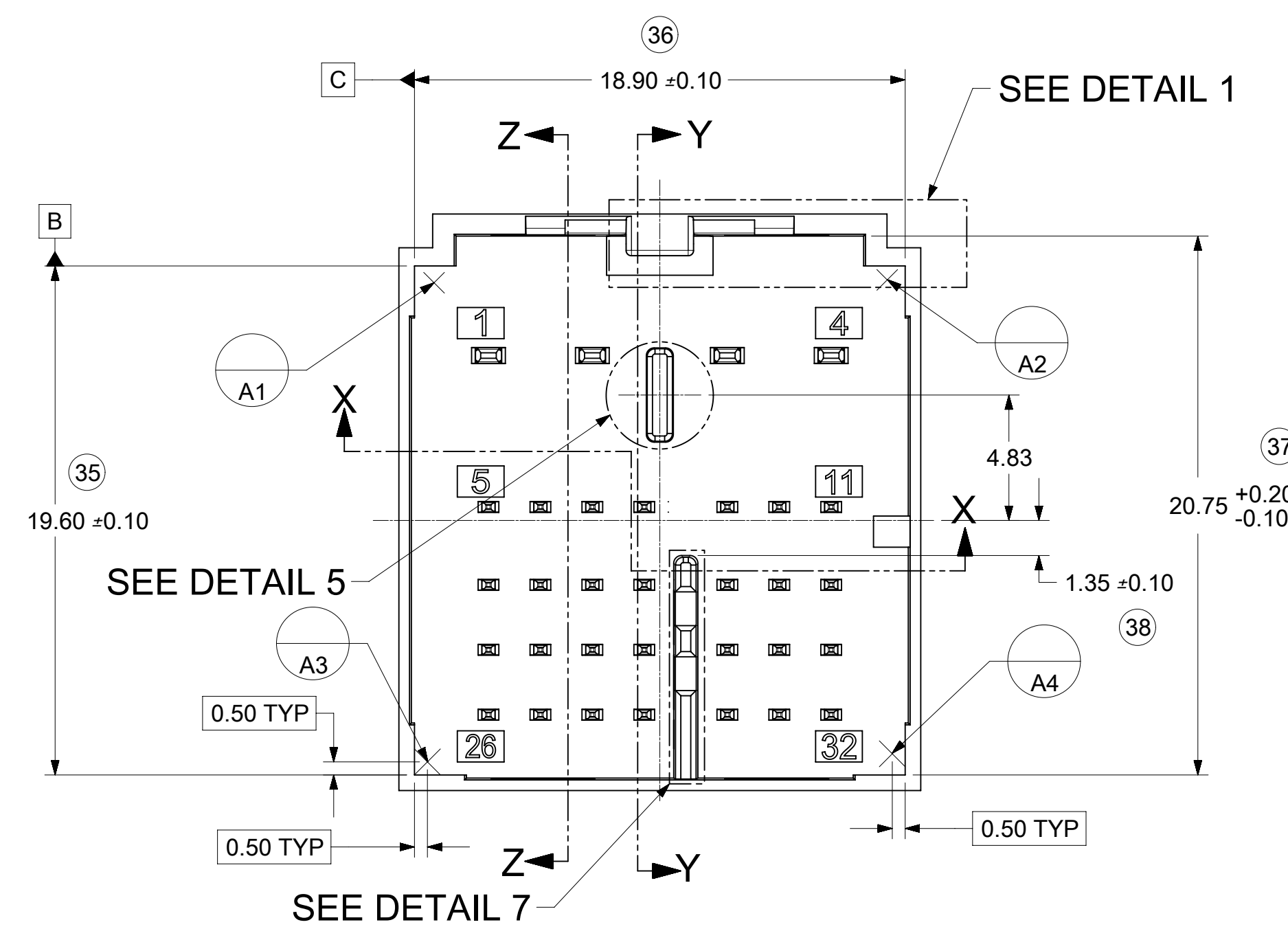
DETAIL 3  
SCALE 15:1



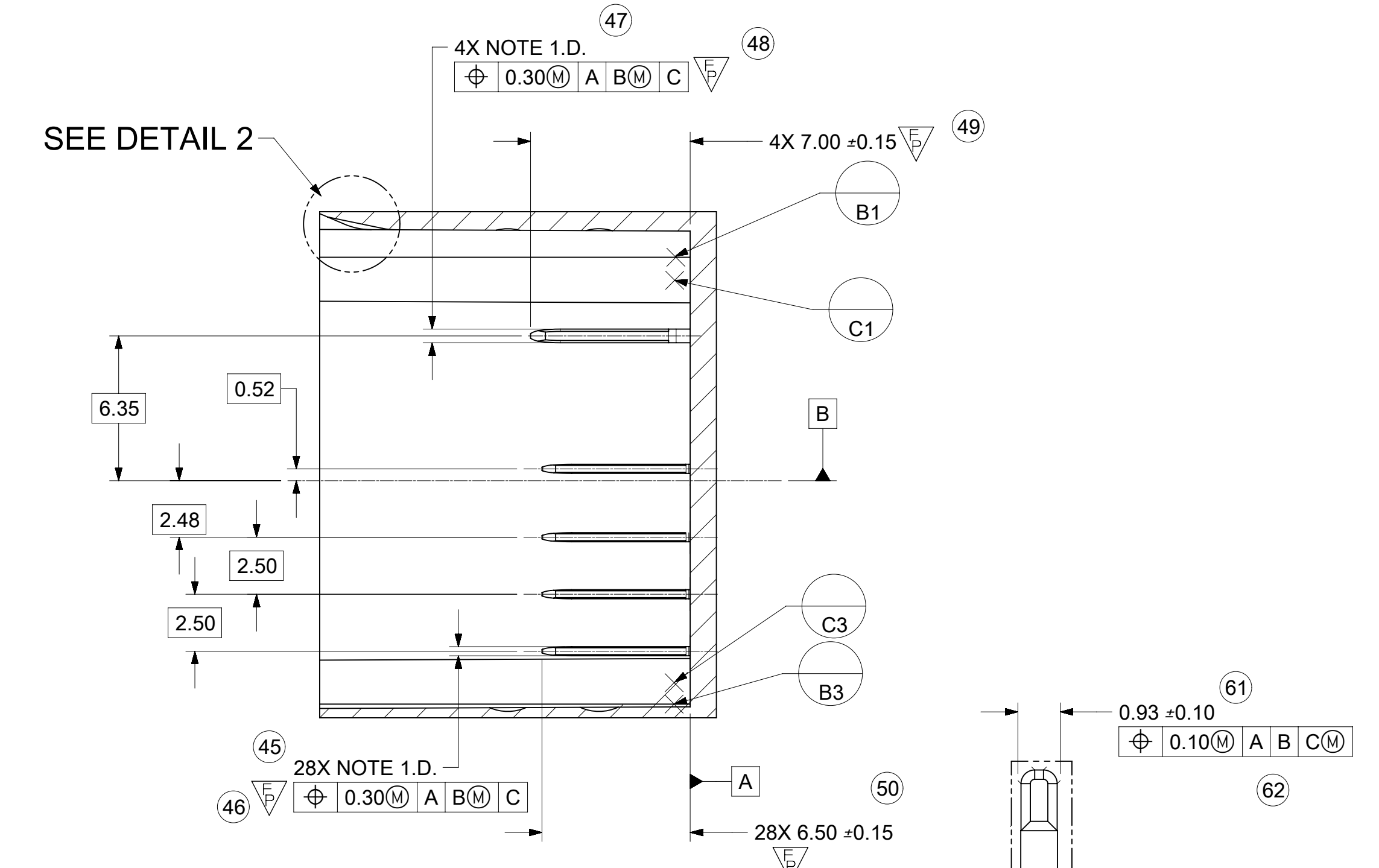
DETAIL 2  
SCALE



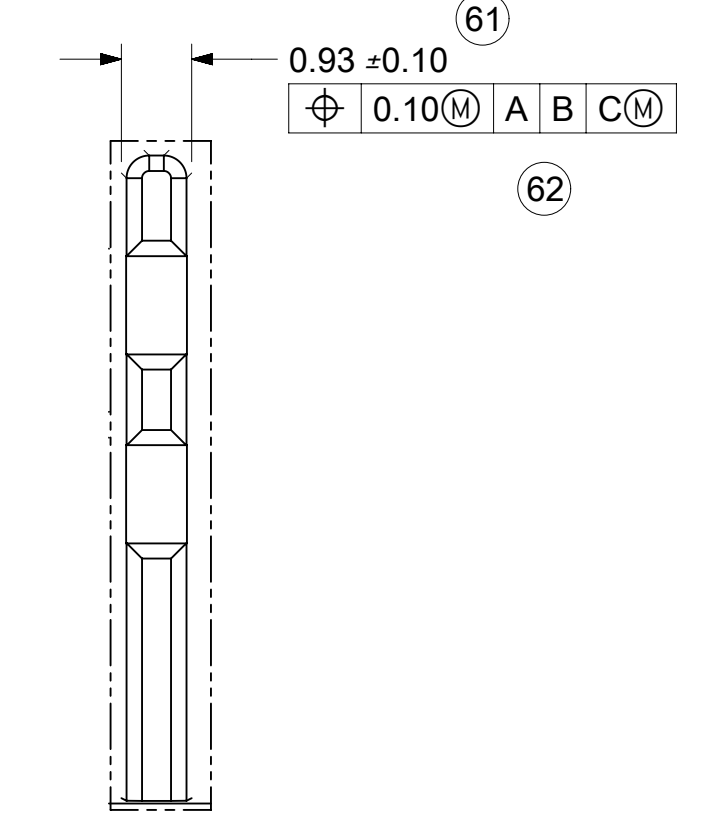
SECTION Y-Y



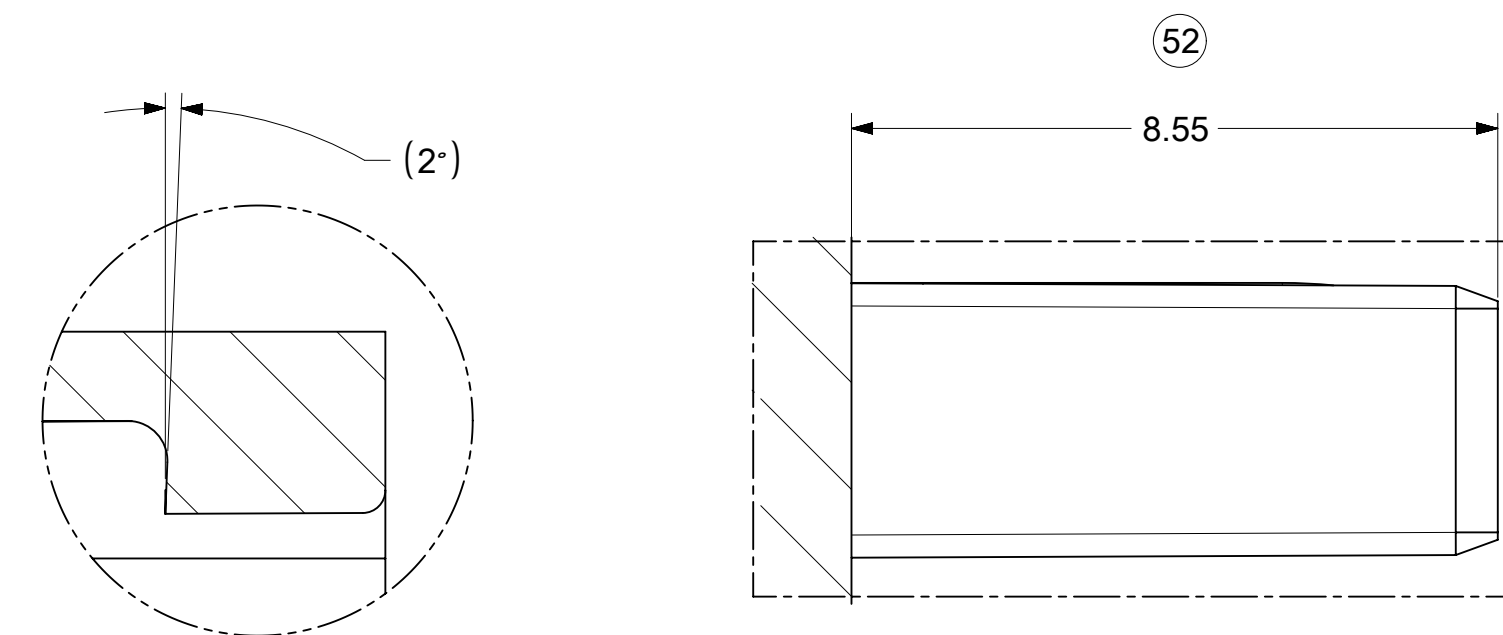
SECTION X-X



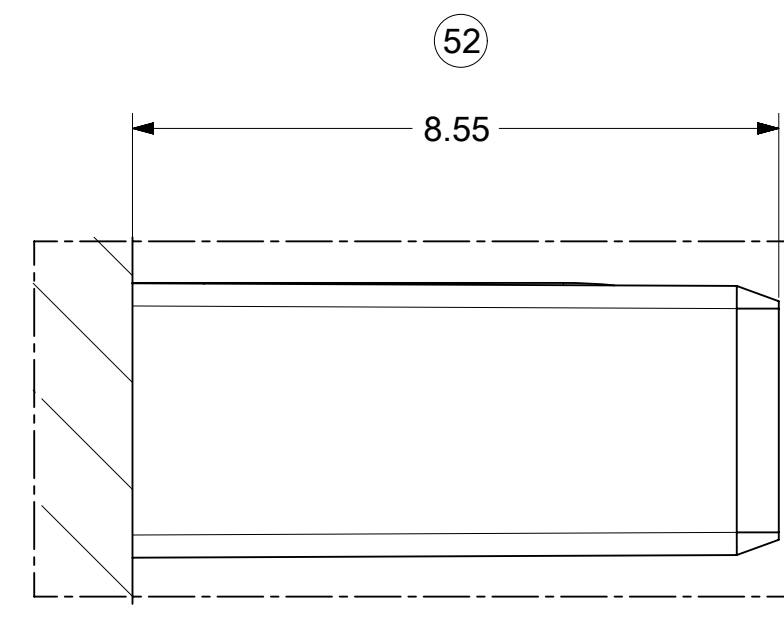
SECTION Z-Z



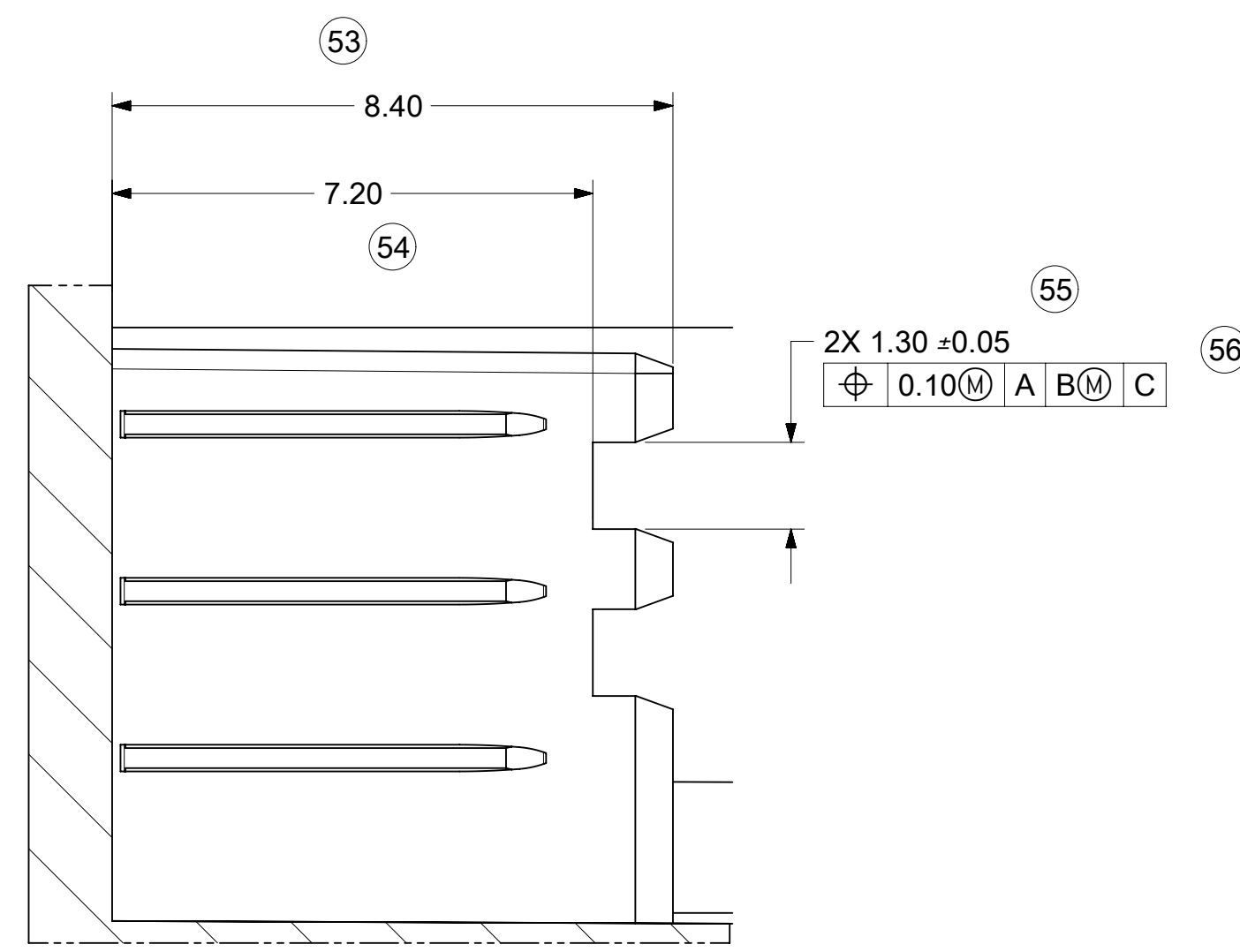
DETAIL 7  
SCALE



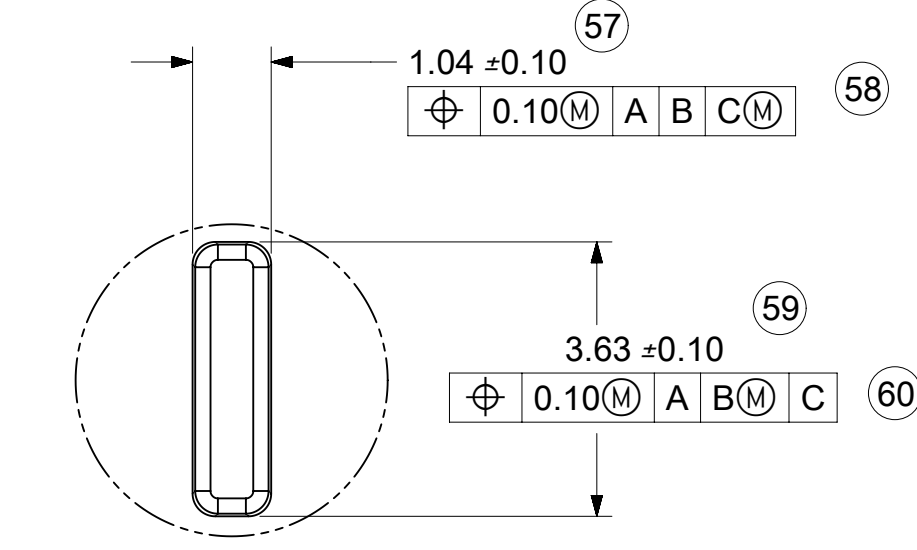
DETAIL 4  
SCALE 15:1



DETAIL 6  
SCALE 10:1



DETAIL 8  
SCALE 10:1

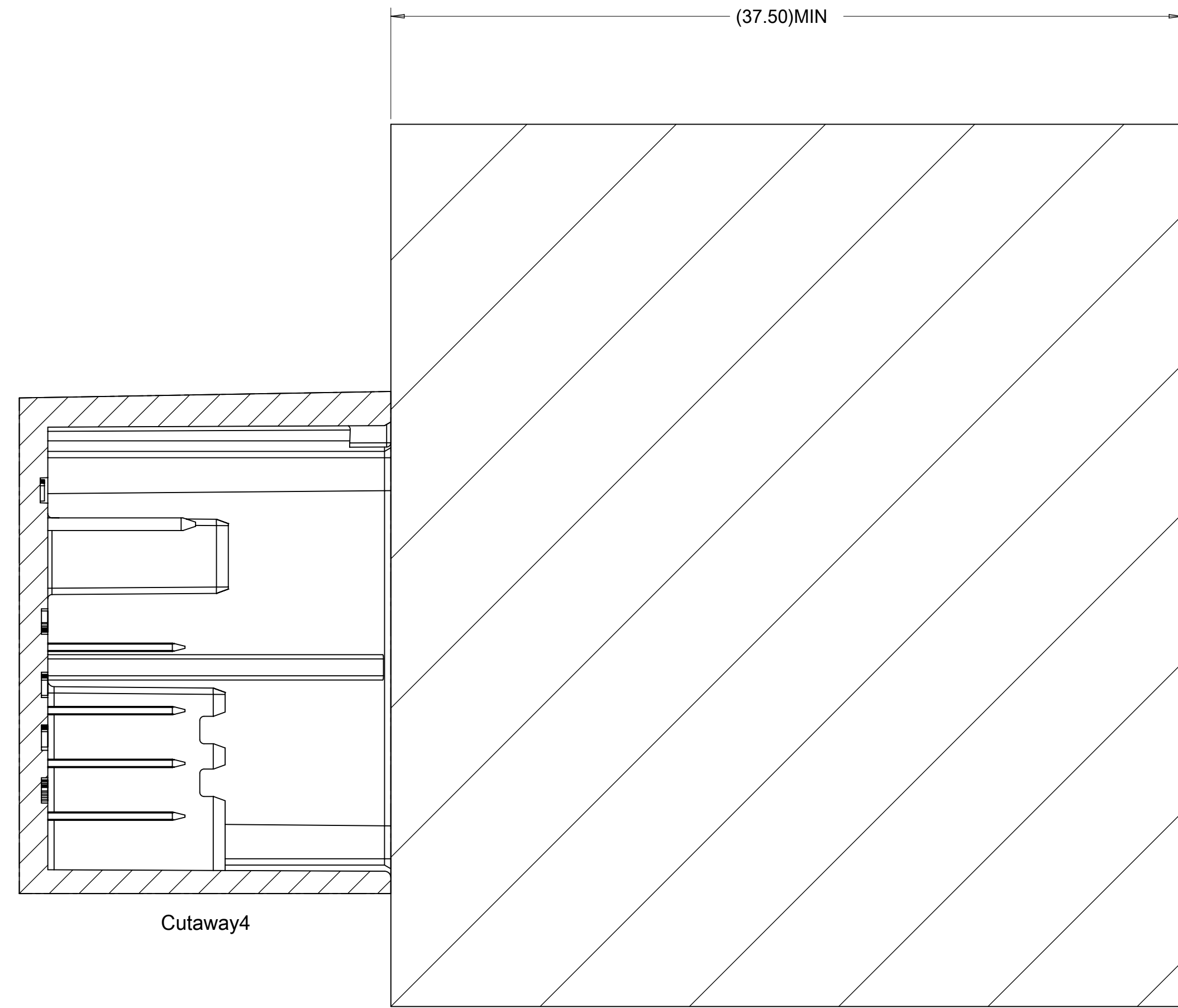


DETAIL 5  
SCALE 10:1

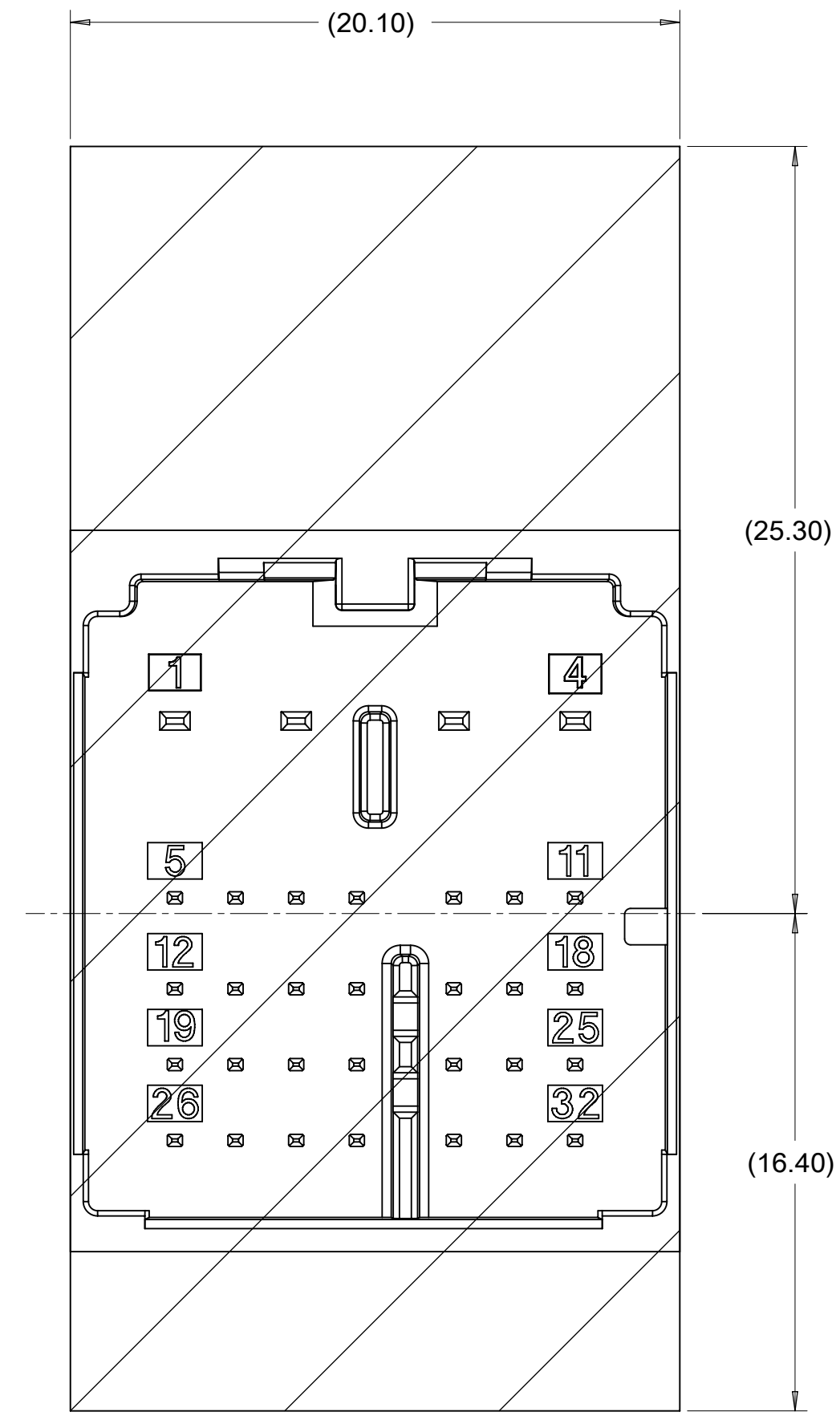
SYMBOLS	THIS DRAWING CONTAINS INFORMATION THAT IS PROPRIETARY TO MOLEX ELECTRONIC TECHNOLOGIES, LLC AND SHOULD NOT BE USED WITHOUT WRITTEN PERMISSION									
	DIMENSION UNITS	SCALE	CURRENT REV DESC: ADDED DIMENSION BALLOONS							
▽ = 0	mm	5:1								
▽ = 0	GENERAL TOLERANCES (UNLESS SPECIFIED)									
▽ = 6	ANGULAR TOL ± °									
▽ = 0	4 PLACES ±									
▽ = 0	3 PLACES ±									
▽ = 0	2 PLACES ±									
▽ = 0	1 PLACE ±									
▽ = 0	0 PLACES ±									
■ = 0	DRAFT WHERE APPLICABLE MUST REMAIN WITHIN DIMENSIONS									
▽ = 0	THIRD ANGLE PROJECTION	DRAWING	SERIES							
		D-SIZE	160028							
			EC NO: 602204				32WAY STAK50H INTERFACE DRAWING			
			DRWN: JCONDON 2018/08/02							
			CHK'D: JCONDON 2018/08/03							
			APPR: MVANSLAMBROU 2018/08/03							
			INITIAL REVISION:							
			DRWN: MYOUNG01 2013/11/14							
			APPR: KDEKOSKI 2014/01/02							
DOCUMENT NUMBER		DOC TYPE	DOC PART	REVISION						
SD-160028-002		PSD	001	B1						
MATERIAL NUMBER		CUSTOMER	SHEET NUMBER							
		GENERAL MARKET	2 OF 3							



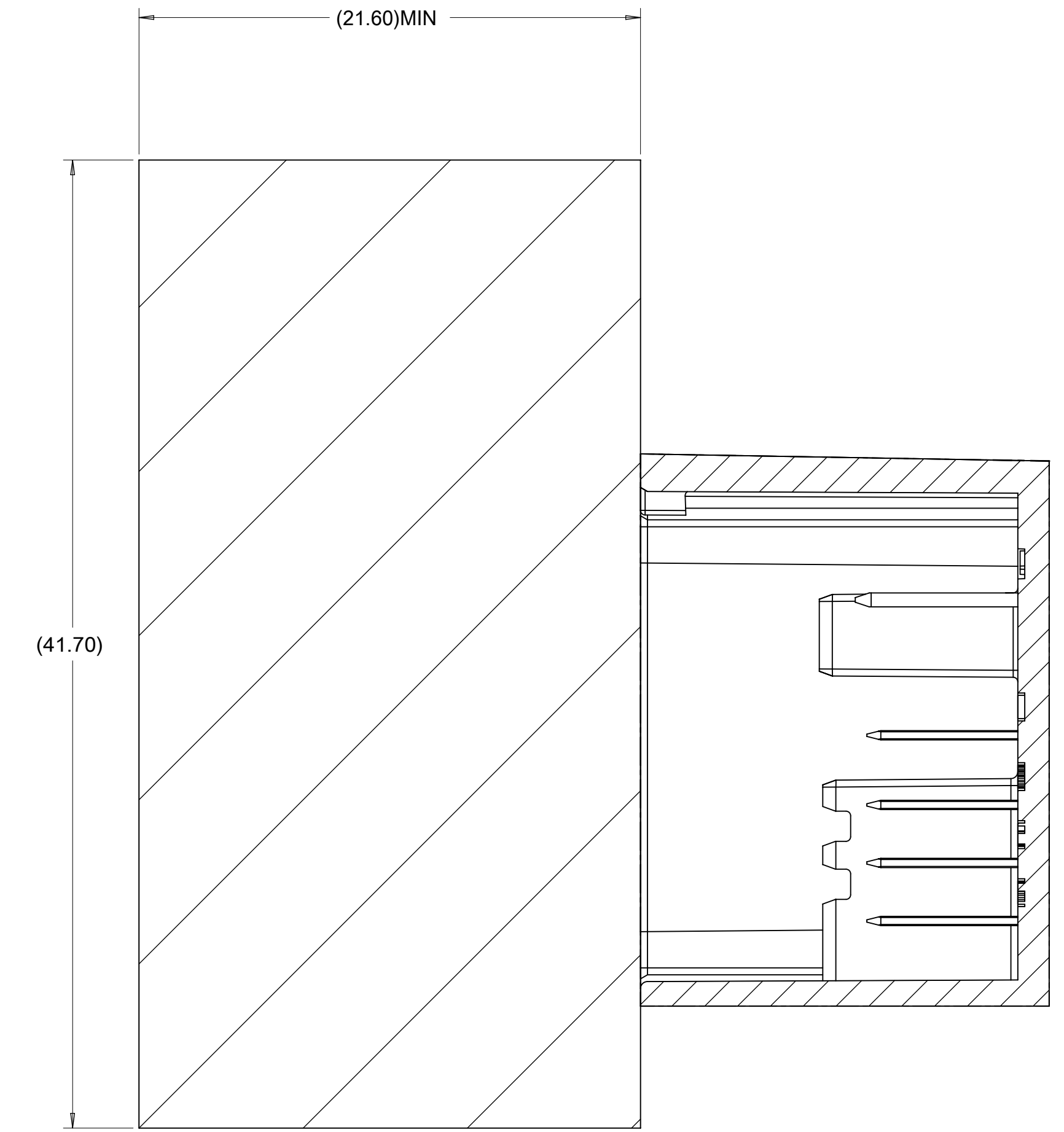
PACKAGE SPACE  
FOR UNMATED  
CONNECTOR



PACKAGE SPACE  
FOR CONNECTOR



PACKAGE SPACE  
FOR MATED  
CONNECTOR  
WITH COVER



SYMBOLS	THIS DRAWING CONTAINS INFORMATION THAT IS PROPRIETARY TO MOLEX ELECTRONIC TECHNOLOGIES, LLC AND SHOULD NOT BE USED WITHOUT WRITTEN PERMISSION		
	DIMENSION UNITS	SCALE	CURRENT REV DESC: ADDED DIMENSION BALLOONS
▽ = 0	mm	5:1	
▽ = 0	GENERAL TOLERANCES (UNLESS SPECIFIED)		
▽ = 0	ANGULAR TOL	± °	
▽ = 0	4 PLACES	±	EC NO: 602204
▽ = 0	3 PLACES	±	DRWN: JCONDON 2018/08/02
▽ = 0	2 PLACES	±	CHK'D: JCONDON 2018/08/03
▽ = 0	1 PLACE	±	APPR: MVANSLAMBROU 2018/08/03
▽ = 0	0 PLACES	±	INITIAL REVISION:
□ = 0	DRAFT WHERE APPLICABLE MUST REMAIN WITHIN DIMENSIONS		DRWN: MYOUNG01 2013/11/14
▽ = 0	THIRD ANGLE PROJECTION		APPR: KDEKOSKI 2014/01/02
	DRAWING		SERIES
	D-SIZE		160028
	MATERIAL NUMBER		CUSTOMER
	SD-160028-002		GENERAL MARKET
	DOCUMENT NUMBER	DOC TYPE	DOC PART
	SD-160028-002	PSD	001
			REVISION
			B1
	SHEET NUMBER		
	3 OF 3		