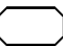
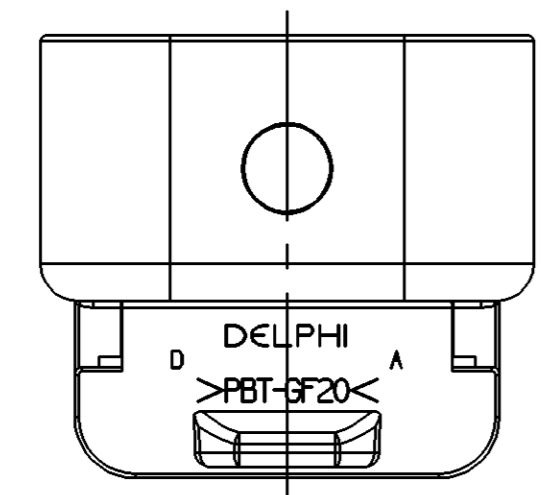
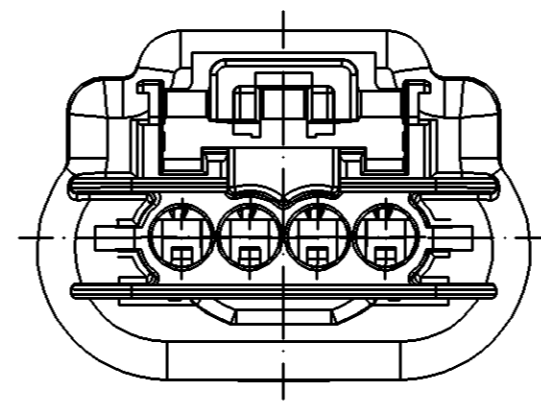
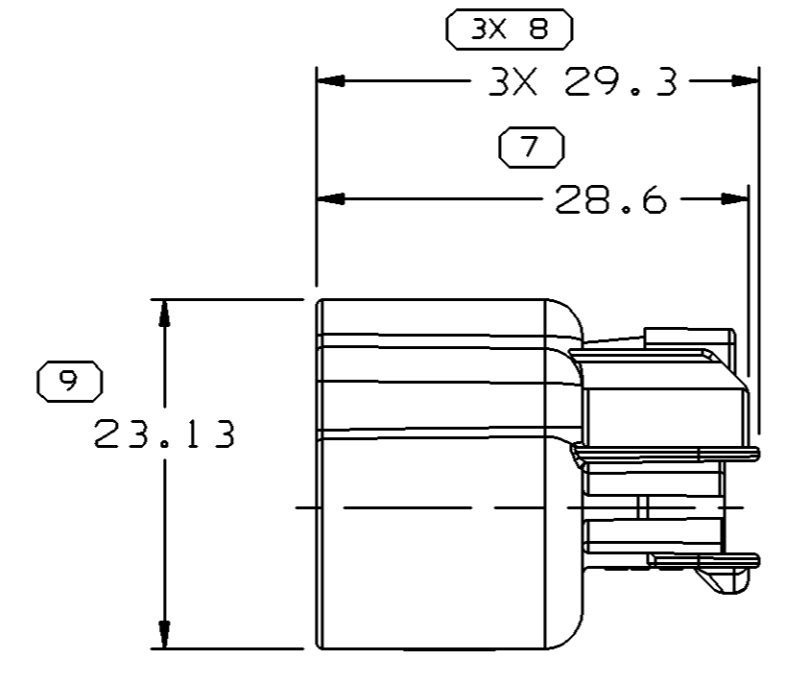
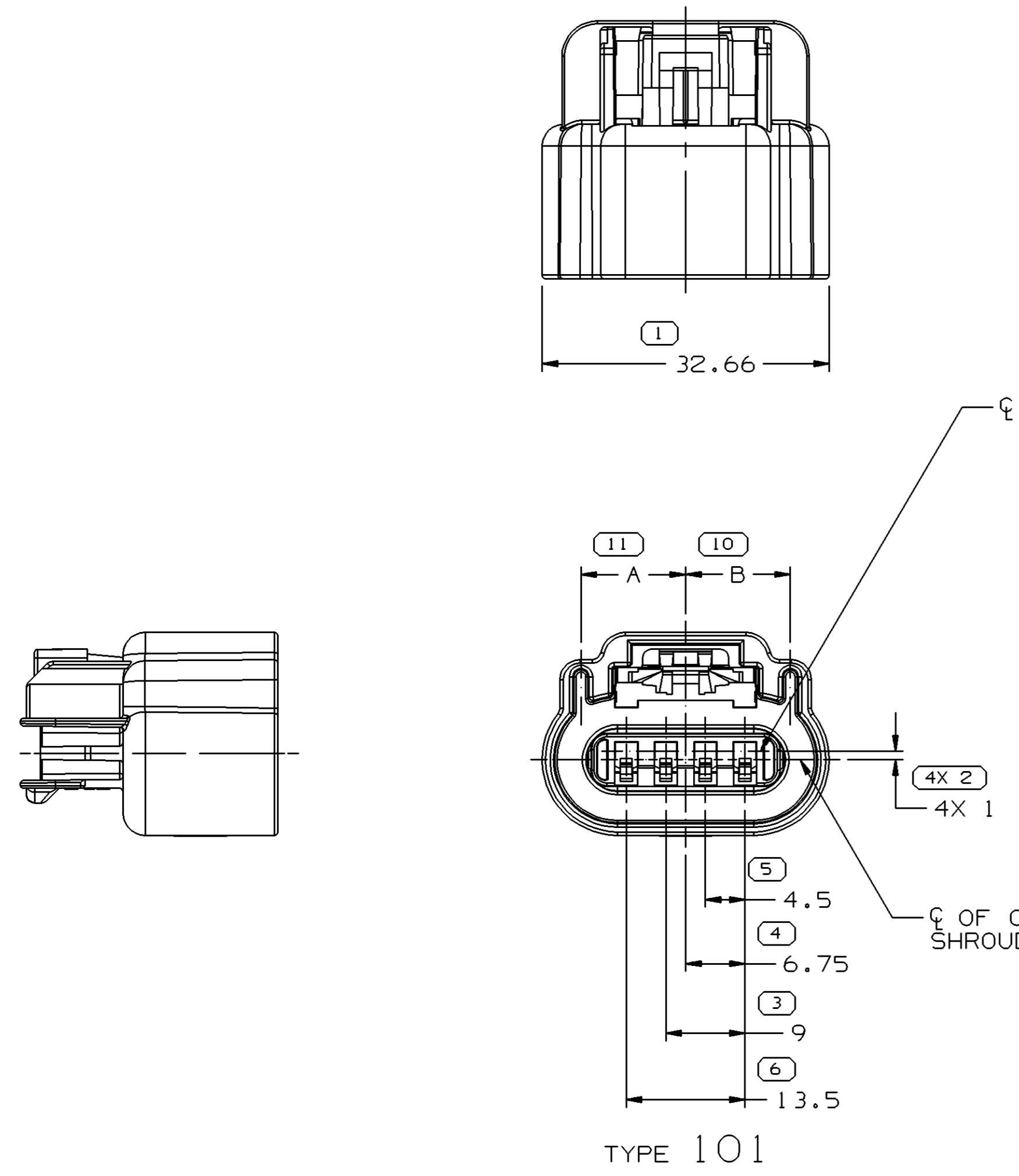


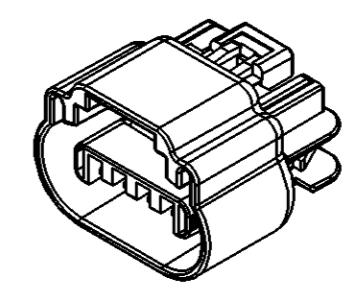
SYMBOL DEFINITION	
A DIMENSION WITHOUT AN INSPECTION REPORT SYMBOL  DOES NOT REQUIRE INSPECTION. IT MAY BE CONTROLLED ON THE INDIVIDUAL COMPONENT DRAWING.	TOTAL NO OF INSPECTIONS REQUIRED
	16
	LAST NO. USED
	11

MISSING SYMBOLS		DWG STATUS					ZONE	REVISION HISTORY		AUTH	DR	APVD1	APVD2
DATE	STG	REV	N/P	CHG			PART DRAWING CREATED						
15AU03	R	01	-	-			ADDED +0.2/-0.15 TOLERANCE TO DIM A & B		244533	BRB	BRB	MF	
30MR04	R	02	-	-					253549	ADK	ADK	MEF	



NOTES

- UNLESS OTHERWISE SPECIFIED AND/OR INDICATED: DIMENSIONS ARE TO FACE OF VIEW SHOWN AND AUTOMATICALLY ROUNDED BY COMPUTER FOR INSPECTION (SEE MATH MODEL FOR PRECISE DIMENSIONS). FOR ALL OTHER DIMENSIONS NOT SHOWN BUT REQUIRED FOR TOOL BUILD, SEE MATH MODEL FOR PRECISE TOOL PATH DATA.
- PARTS SHOWN ON THIS DRAWING USED IN ASSEMBLIES SHOWN ON TAXI 15466326.
- MATERIAL RECYCLING CODE PER ISO 11469. (1.5)X(0.1) RAISED CHARACTERS AS SHOWN TO BE LOCATED ON ANY EXTERIOR SURFACE. OPTIONAL CONSTRUCTION TO BE NO MATERIAL RECYCLING CODE.
- SEALING CODE 3 - DESIGN WILL PASS SALT FOG AND IMMERSION TEST AFTER CONDITIONING AS SPECIFIED IN ESA-644 (WEATHER-PACK), ESA-710 (METRI-PACK), ESA-650 (UNDERHOOD MICRO-PACK), C-4006 (WORLD CONNECTOR), ETC WHEN MATED TO MATING PART OR EQUIVALENT
- THIS PART IS NOT CONTROLLED FOR AUTOMATIC FEEDING.
- MATING COMPONENTS OR EQUIVALENT: PARTS SHOWN ON THIS DRAWING MATE TO SHROUDS SHOWN ON 15466328 (REF DELPHI 15454774 - EWCAP/USCAR DRAWING 150-S-004-1-Z01 REV A)
 TERMINAL - 12191818
 CABLE SEAL - 15366021
 TERMINAL POSITION ASSURANCE LOCK - 15418546
 PRIMARY LOCK REINFORCEMENT - 15326817
 CONNECTOR SEAL - 15326818
 CONNECTOR POSITION ASSURANCE LOCK - 15317832
- (1.44)X(0.1) RAISED DELPHI CORPORATE BRAND TO BE LOCATED ON ANY EXTERIOR SURFACE, PREFERABLY VISIBLE AT FINAL ASSEMBLY. OPTIONAL CONSTRUCTION TO BE "PED" OR NO LOGO.



PART NO	REV	N/P	STATUS	TYPE	MATERIAL SPECIFICATION AND COLOR	A +0.2/-0.15	B +0.2/-0.15	EWCAP INDEX	VOL CM ³	CONN ASSEM
-	-	-	-	104	M4629007 PBT GF20 GRN	10.33	10.33	150-S-004-1-D01	5.898	
-	-	-	-	103	M4629010 PBT GF20 BRN	11.9	10.33	150-S-004-1-C01	6.008	
-	-	-	-	102	M4629003 PBT GF20 GRA	10.33	11.9	150-S-004-1-B01	6.010	
15466323	01	AA		101	M4629002 PBT GF20 BLK	11.9	11.9	150-S-004-1-A01	6.118	15466325

DELPHI
 DELPHI PACKARD ELECTRIC SYSTEMS
 WARREN, OH

DR	DATE
APVD1 B. BURNS	15AU03
APVD2 B. BURNS	15AU03
APVD3 M. FRANCIS	15AU03
APVD4	
APVD5	

UNLESS OTHERWISE SPECIFIED
 THIS DOCUMENT IS IN ACCORDANCE WITH ASME Y14.5M-1994 AS AMENDED BY THE GM GLOBAL DIMENSIONING AND TOLERANCING ADDENDUM - 1997. ALL GEOMETRIC TOLERANCES AND RELATED DATUMS APPLY RFS. RULE #1 PERFECT FORM AT MMC DOES NOT APPLY WHEN RELATIONSHIP BETWEEN FEATURES IS ESTABLISHED BY ORIENTATION OR LOCATION TOLERANCES. SEPARATE POSITION CALLOUTS MAY BE GAGED SEPARATELY, REGARDLESS OF DATUM REFERENCE.
 ALL DIMENSIONS ARE IN MILLIMETERS

MATERIAL SEE CHART

DRAWING NAME
 TAXI CONN 4 F GT 150 SLD

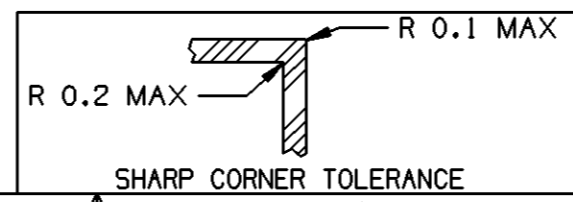
DRAWING NUMBER
 15466324

SIZE	SCALE	FRAME NO	SHEET NO	STG	REV	N/P
A1	2:1	1 OF 1	1 OF 1	R	02	-

DWG TYPE	PART DRAWING
STYLE	
VOLUME (CM ³)	SEE CHART
ROUTING	6900
DISTR CODE	D

(N/A) PROCESS SENSITIVE DIMENSION

DIMENSIONS ENCLOSED IN () INDICATE REFERENCE DIMENSIONS AND NO TOLERANCE LIMITS ARE ESTABLISHED



DIMENSIONAL RANGE (MM)	CHART E1
FROM > 0	> 20
TO > 20	> 30
> 30	> 70
> 70	> 100
> 100	> 150
> 150	> 200
> 200	> 250
> 250	> 300
> 300	> 400

TOLERANCE UNLESS OTHERWISE SPECIFIED	ANGULAR TOLERANCE ±2°
±0.15	±0.3
±0.2	±0.4
±0.3	±0.5
±0.4	±0.6
±0.5	±0.8
±0.6	±1
±0.8	±1.2

THIRD ANGLE PROJECTION

DO NOT SCALE
 USE MATH DATA

