

156667-1 ✓ ACTIVE



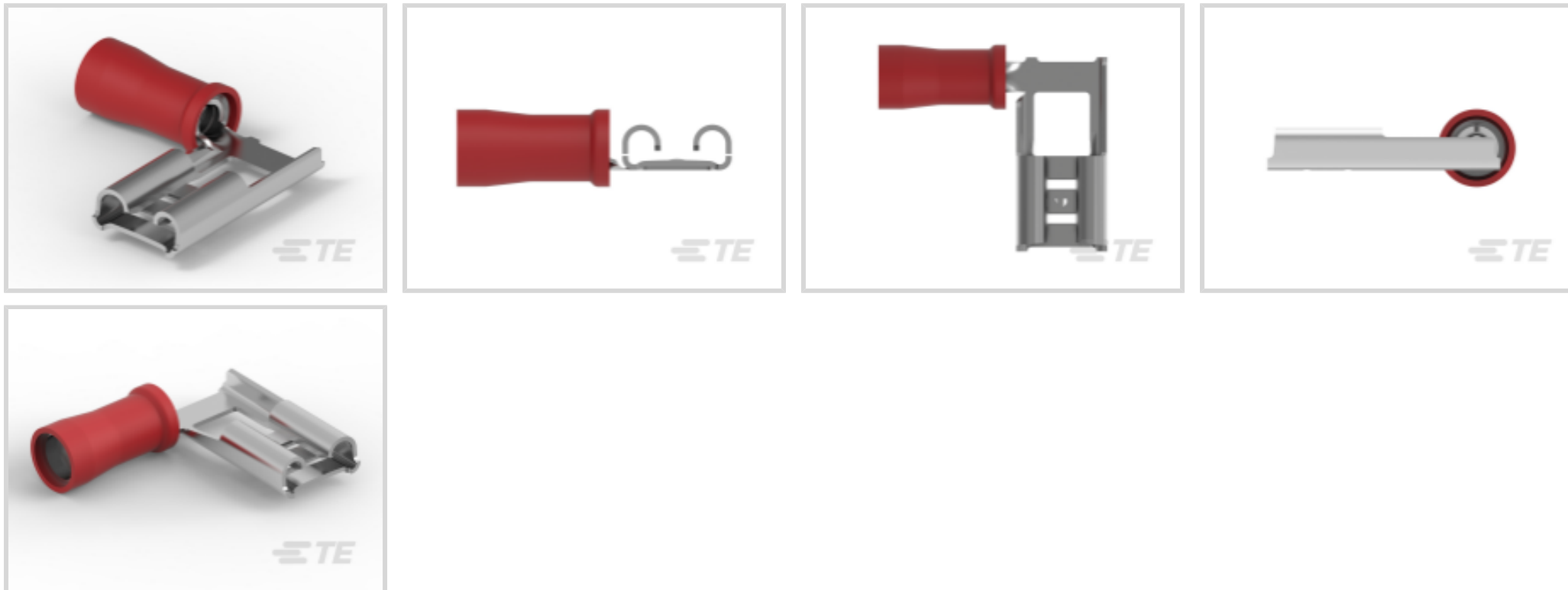
PIDG

TE Internal #: 156667-1

Quick Disconnects, Receptacle, 22 – 18 AWG Wire Size, .26 – .96 mm² Wire Size, 509 – 1900 CMA Wire Size, Mating Tab Width .25 in [6.35 mm], Flag, PIDG

[View on TE.com >](#)

Terminals & Splices > Quick Disconnects > PIDG FASTON RECPT QUICK DISCONNECTS



Quick Disconnect Terminal Type: **Receptacle**

Wire Size: **509 – 1900 CMA**

Mating Tab Width: **6.35 mm [.25 in]**

[All PIDG FASTON RECPT QUICK DISCONNECTS \(25\)](#)

Features

Product Type Features

Terminates To	Wire & Cable
Wire Stop	No
Insertion Force	Normal
Sealable	No

Configuration Features

Connection Capacity	Single
---------------------	--------

Electrical Characteristics

Voltage (Max)	300 V
---------------	-------

Body Features

Insulation Material	Nylon
---------------------	-------

Contact Features

Quick Disconnect Terminal Type	Receptacle
Mating Tab Width	6.35 mm [.25 in]



Mating Tab Thickness	.81 mm[.032 in]
Terminal Orientation	Flag
Contact Base Material	Brass
Terminal Plating Material	Tin
Crimp Type	Compression
Barrel Type	Closed

Mechanical Attachment

Wire Insulation Support	With
-------------------------	------

Dimensions

Accepts Wire Insulation Diameter Range	2.67 – 3.56 mm[.105 – .14 in]
Overall Length	18.29 mm[.72 in]
Receptacle Terminal Stock Thickness	.41 mm[.016 in]
Wire Size	509 – 1900 CMA

Usage Conditions

Insulation Option	Partially Insulated
Operating Temperature Range	105 °C[221 °F]

Packaging Features

Packaging Quantity	1000
Packaging Method	Carton

Other

Barrel Color	Red
--------------	-----

Product Compliance

[For compliance documentation, visit the product page on TE.com>](#)

EU RoHS Directive 2011/65/EU	Compliant
EU ELV Directive 2000/53/EC	Compliant
China RoHS 2 Directive MIIT Order No 32, 2016	No Restricted Materials Above Threshold
EU REACH Regulation (EC) No. 1907/2006	Current ECHA Candidate List: JUNE 2022 (224) Candidate List Declared Against: JAN 2022 (223) SVHC > Threshold: Not Yet Reviewed
Halogen Content	Low Halogen - Br, Cl, F, I < 900 ppm per

homogenous material. Also BFR/CFR/PVC Free

Solder Process Capability

Not applicable for solder process capability

Product Compliance Disclaimer

This information is provided based on reasonable inquiry of our suppliers and represents our current actual knowledge based on the information they provided. This information is subject to change. The part numbers that TE has identified as EU RoHS compliant have a maximum concentration of 0.1% by weight in homogenous materials for lead, hexavalent chromium, mercury, PBB, PBDE, DBP, BBP, DEHP, DIBP, and 0.01% for cadmium, or qualify for an exemption to these limits as defined in the Annexes of Directive 2011/65/EU (RoHS2). Finished electrical and electronic equipment products will be CE marked as required by Directive 2011/65/EU. Components may not be CE marked. Additionally, the part numbers that TE has identified as EU ELV compliant have a maximum concentration of 0.1% by weight in homogenous materials for lead, hexavalent chromium, and mercury, and 0.01% for cadmium, or qualify for an exemption to these limits as defined in the Annexes of Directive 2000/53/EC (ELV). Regarding the REACH Regulation, the information TE provides on SVHC in articles for this part number is based on the latest European Chemicals Agency (ECHA) 'Guidance on requirements for substances in articles' posted at this URL: <https://echa.europa.eu/guidance-documents/guidance-on-reach>

Compatible Parts



TE Part # 59824-1
TETRA-CRIMP PIDG PG FASTON 22-10 ASSY



TE Part # 47386-4
DAHT PG PIDG 26-16 ASSY



TE Part # 58433-3
PRO CR ASSY, RBY IS9252



TE Part # 58423-1
DIE, RBY IS9252



TE Part # 539691-2
ERGO DIE R.B.Y



TE Part # 90035-3
DAHT PIDG FASTON 22-18 ASSY




TE Part # 1-1377175-7
SMP 0-0156667-1

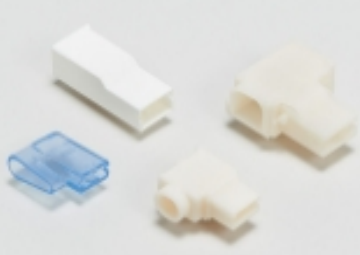


TE Part # 1SET191002R0000
TET CRIMP-HT

Also in the Series | PIDG




Compression Connectors(17)



Crimp Terminal Housings(1)



Crimp Wire Pins, Tabs & Ferrules(41)



Knife Disconnects(11)



PCB Terminals(9)



Portable Crimp Tools(2)



Quick Disconnects(53)



Ring Terminals & Spade Terminals(861)



Special Purpose Terminals(1)

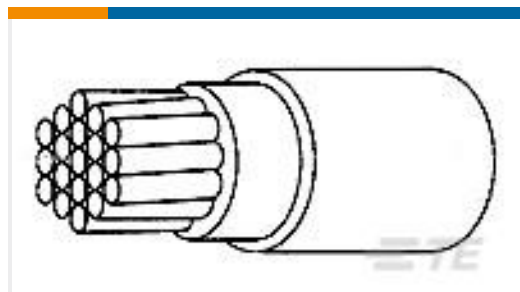


Splices(48)

Customers Also Bought



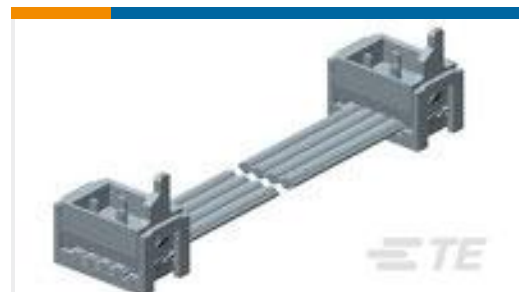
TE Part #103361-1
03 MODII HDR SRRA SHRD .100CL



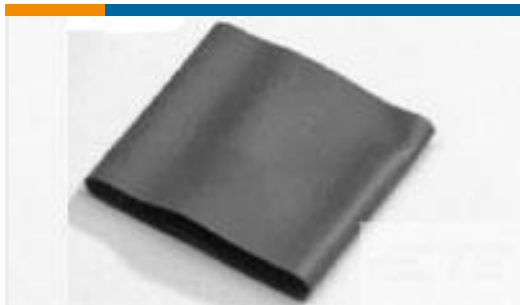
TE Part #1936113001
100G0111-2.50-9



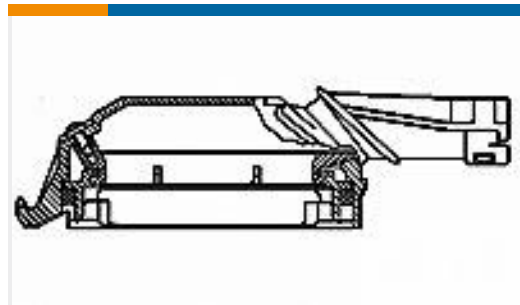
TE Part #180599
SOLIS 8 WIRE PIN



TE Part #2205064-1
CA MICRO-MATCH MOW-MOW
12POS



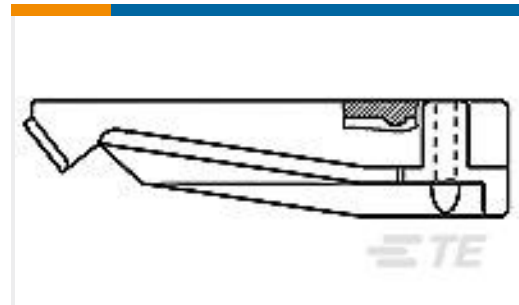
TE Part #D60073-000
V2-6.0-0-SP



TE Part #827249-1
25 POS. MINI SPRING RECPT. HSG



TE Part #1SNA163503R2400
BJH105



TE Part #926686-1
TIMER HSG



TE Part #2-1437506-4
8134-HC6P2-B=HOLTITE CONTACT G

Documents



Product Drawings

PIDG FASTON FLAG ASSY 22-18

English

CAD Files

3D PDF

English

Customer View Model

[ENG_CVM_156667-1_C.2d_dxf.zip](#)

English

Customer View Model

[ENG_CVM_156667-1_C.3d_igs.zip](#)

English

Customer View Model

[ENG_CVM_156667-1_C.3d_stp.zip](#)

English

3D PDF

3D

Customer View Model

[ENG_CVM_CVM_156667-1_E.2d_dxf.zip](#)

English

Customer View Model

[ENG_CVM_CVM_156667-1_E.3d_igs.zip](#)

English

Customer View Model

[ENG_CVM_CVM_156667-1_E.3d_stp.zip](#)

English

By downloading the CAD file I accept and agree to the [Terms and Conditions](#) of use.

Datasheets & Catalog Pages

PIDG_FASTON

English

Ultra-Fast and Ultra Fast Plus

English

PIDG TERMINALS & SPLICES Quick Reference Guide

English

Product Environmental Compliance

MD_156667-1_112320171136_dmtec

English

MD_156667-1_112320171136_dmtec

English