

1586044-4 ✓ ACTIVE



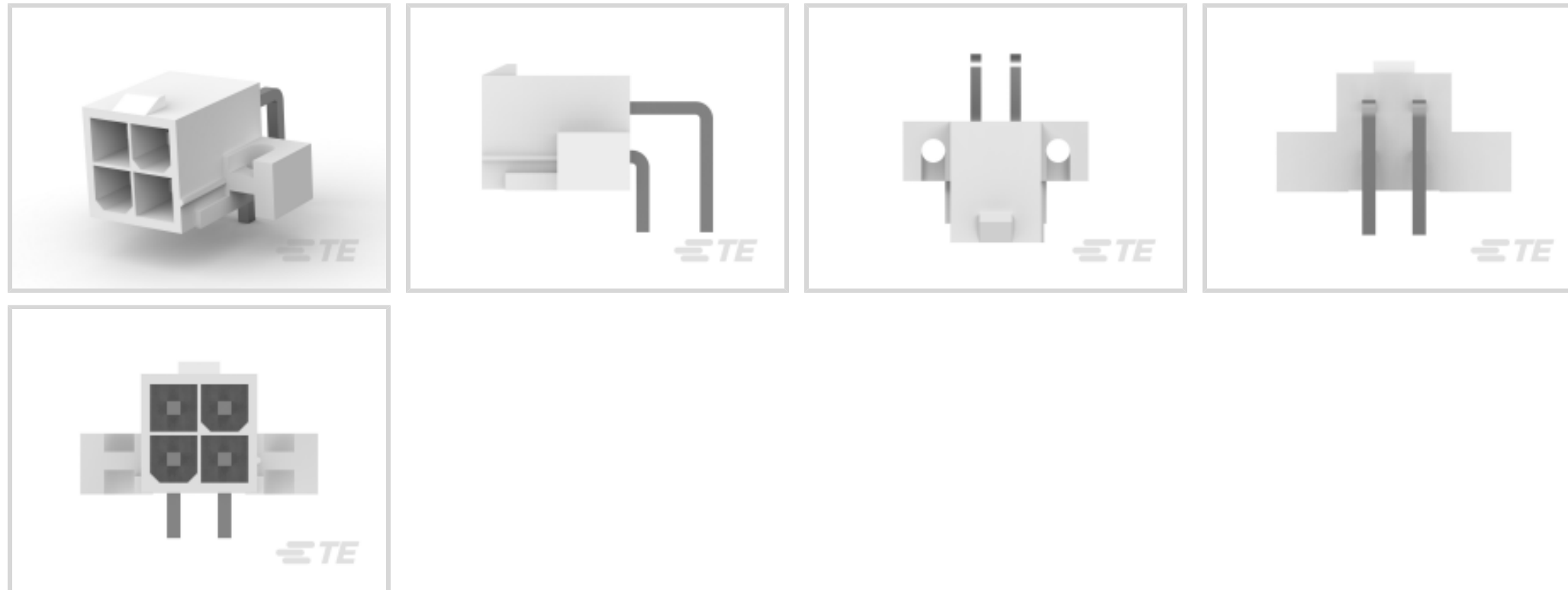
VAL-U-LOK

TE Internal #: 1586044-4

Standard Rectangular Connectors, Connector Assembly, Plug, Mating Alignment, Keyed Mating Alignment Type, Mating Retention, PCB Mount Retention

[View on TE.com >](#)

Connectors > Rectangular Connectors > Standard Rectangular Connectors



Connector Product Type: **Connector Assembly**

Connector & Housing Type: **Plug**

Mating Alignment: **With**

Mating Alignment Type: **Keyed**

Mating Retention: **With**

Features

Product Type Features

Glow Wire Rating	Standard Part - Not Glow Wire
Connector Type	Header
Connector Product Type	Connector Assembly
Connector & Housing Type	Plug
Connector System	Wire-to-Board
Insertion Force Type	Normal
Sealable	No
Connector & Contact Terminates To	Printed Circuit Board

Configuration Features

PCB Mount Orientation	Right Angle
Number of Positions	4
Number of Rows	2

Electrical Characteristics

Operating Voltage	600 VAC
-------------------	---------



Contact Features

Contact Layout	Inline
Contact Transmits (Typical)	Signal (Data)
Contact Type	Pin
PCB Contact Termination Area Plating Material	Tin
Contact Mating Area Plating Material	Tin
Contact Retention Within Housing	Without
Contact Current Rating (Max)	9 A

Termination Features

Termination Method to Printed Circuit Board	Through Hole - Solder
---	-----------------------

Mechanical Attachment

PCB Mount Alignment	Without
Mating Alignment	With
Mating Alignment Type	Keyed
Mating Retention	With
Mating Retention Type	Latch
PCB Mount Retention	With
PCB Mount Retention Type	Mounting Hole
Connector Mounting Type	Board Mount

Housing Features

Housing Color	Natural
Housing Material	Nylon GF
Centerline (Pitch)	4.19 mm[.165 in]

Dimensions

Width	13 mm[.512 in]
PCB Thickness (Recommended)	1.6 mm[.063 in]
Tail Length	3.5 mm[.138 in]
Height	9.8 mm[.386 in]
Length	9.6 mm[.378 in]
Accepts Wire Insulation Diameter Range	1.2 – 3.1 mm[.047 – .122 in]
Wire Size	.12 – 1.4 mm ²
Row-to-Row Spacing	4.2 mm[.165 in]



Usage Conditions

Operating Temperature Range	-40 – 105 °C[-40 – 221 °F]
-----------------------------	----------------------------

Operation/Application

Shielded	No
Circuit Application	Power

Identification Marking

Circuit Identification Feature	With
--------------------------------	------

Industry Standards

Agency/Standard	CSA, UL
UL Rating	Recognized
CSA File Number	208567
UL File Number	E28476
UL Flammability Rating	UL 94V-0

Packaging Features

Packaging Method	Box & Tray, Tray
------------------	------------------

Product Compliance

[For compliance documentation, visit the product page on TE.com>](#)

EU RoHS Directive 2011/65/EU	Compliant
EU ELV Directive 2000/53/EC	Compliant
China RoHS 2 Directive MIIT Order No 32, 2016	No Restricted Materials Above Threshold
EU REACH Regulation (EC) No. 1907/2006	Current ECHA Candidate List: JUNE 2022 (224) Candidate List Declared Against: JAN 2022 (223) SVHC > Threshold: Not Yet Reviewed
Halogen Content	Low Halogen - Br, Cl, F, I < 900 ppm per homogenous material. Also BFR/CFR/PVC Free
Solder Process Capability	Wave solder capable to 265°C

Product Compliance Disclaimer

This information is provided based on reasonable inquiry of our suppliers and represents our current actual knowledge based on the information they provided. This information is subject to change. The part numbers that TE has identified as EU RoHS compliant have a maximum concentration of 0.1% by weight in homogenous materials for lead, hexavalent chromium, mercury, PBB, PBDE, DBP, BBP, DEHP, DIBP, and 0.01% for cadmium, or qualify for an exemption to these

limits as defined in the Annexes of Directive 2011/65/EU (RoHS2). Finished electrical and electronic equipment products will be CE marked as required by Directive 2011/65/EU. Components may not be CE marked. Additionally, the part numbers that TE has identified as EU ELV compliant have a maximum concentration of 0.1% by weight in homogenous materials for lead, hexavalent chromium, and mercury, and 0.01% for cadmium, or qualify for an exemption to these limits as defined in the Annexes of Directive 2000/53/EC (ELV). Regarding the REACH Regulation, the information TE provides on SVHC in articles for this part number is based on the latest European Chemicals Agency (ECHA) 'Guidance on requirements for substances in articles' posted at this URL: <https://echa.europa.eu/guidance-documents/guidance-on-reach>

Compatible Parts



TE Part # 1586019-4
4P RCPT VAL-U-LOK V0



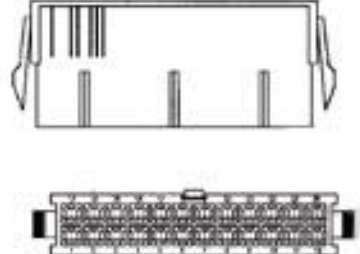
TE Part # 1969613-4
4P PM PLUG VAL-U-LOK V0



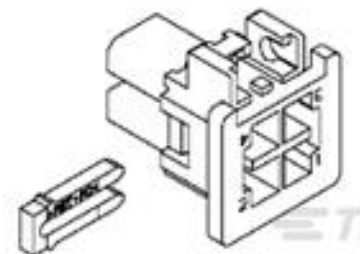
TE Part # 1969612-4
4P FH PLUG VAL-U-LOK V0



TE Part # 2029035-4
4P PLUG VAL-U-LOK PM V0 BLK



TE Part # 2029092-4
4P PLUG VAL-U-LOK V0 PM RED



TE Part # 794318-1
AMP DUAC/PL 04P KIT BULK PKG

Customers Also Bought



TE Part # 5788793-1
09 HTMSFL PLUG RA 318 (SL,BL)



TE Part # 5788799-1
15 HTMSFL ASSY RA 318 (SL,BL)



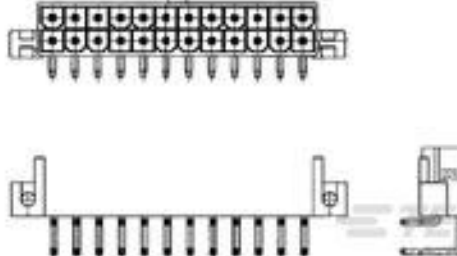
TE Part # 4-2328724-5
45PIN 0.3MMP FPC CONNECTOR, FRONT FLIP



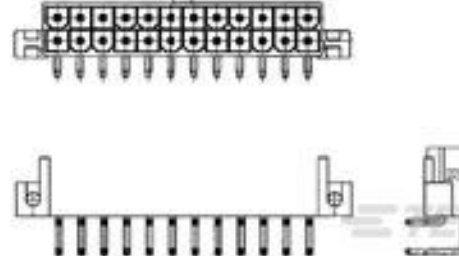
TE Part # 1676153-1
RN 0805 10K 0.1% 10PPM CUT LENGTH



TE Part # 4-2176412-8
5W XSM M/OX 5% 470R



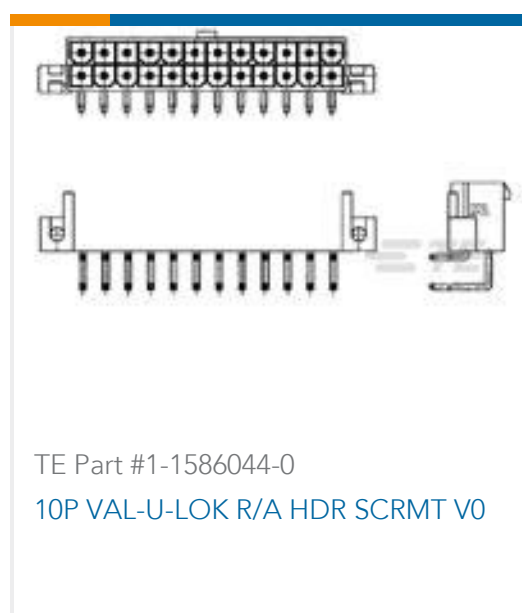
TE Part # 1586044-2
2P VAL-U-LOK R/A HDR SCR MT V0



TE Part # 1586044-6
6P VAL-U-LOK R/A HDR SCR MT V0



TE Part # 5-925369-0
MOD.HSG 50 P.



Documents

Product Drawings

[4P VAL-U-LOK R/A HDR SCR MT V0](#)

English

CAD Files

[3D PDF](#)

3D

Customer View Model

[ENG_CVM_CVM_1586044-4_A_c-1586044-4-a.2d_dxf.zip](#)

English

Customer View Model

[ENG_CVM_CVM_1586044-4_A_c-1586044-4-a.3d_igs.zip](#)

English

Customer View Model

[ENG_CVM_CVM_1586044-4_A_c-1586044-4-a.3d_stp.zip](#)

English

By downloading the CAD file I accept and agree to the [Terms and Conditions](#) of use.

Datasheets & Catalog Pages

[SOFT_SHELL_PIN_AND_SOCKET_CONNECTORS_CATALOG](#)

English

Product Specifications

[Application Specification](#)

English

Product Environmental Compliance

[Product Compliance](#)

English

[Product Compliance](#)

English

Agency Approvals

[UL Report](#)

English