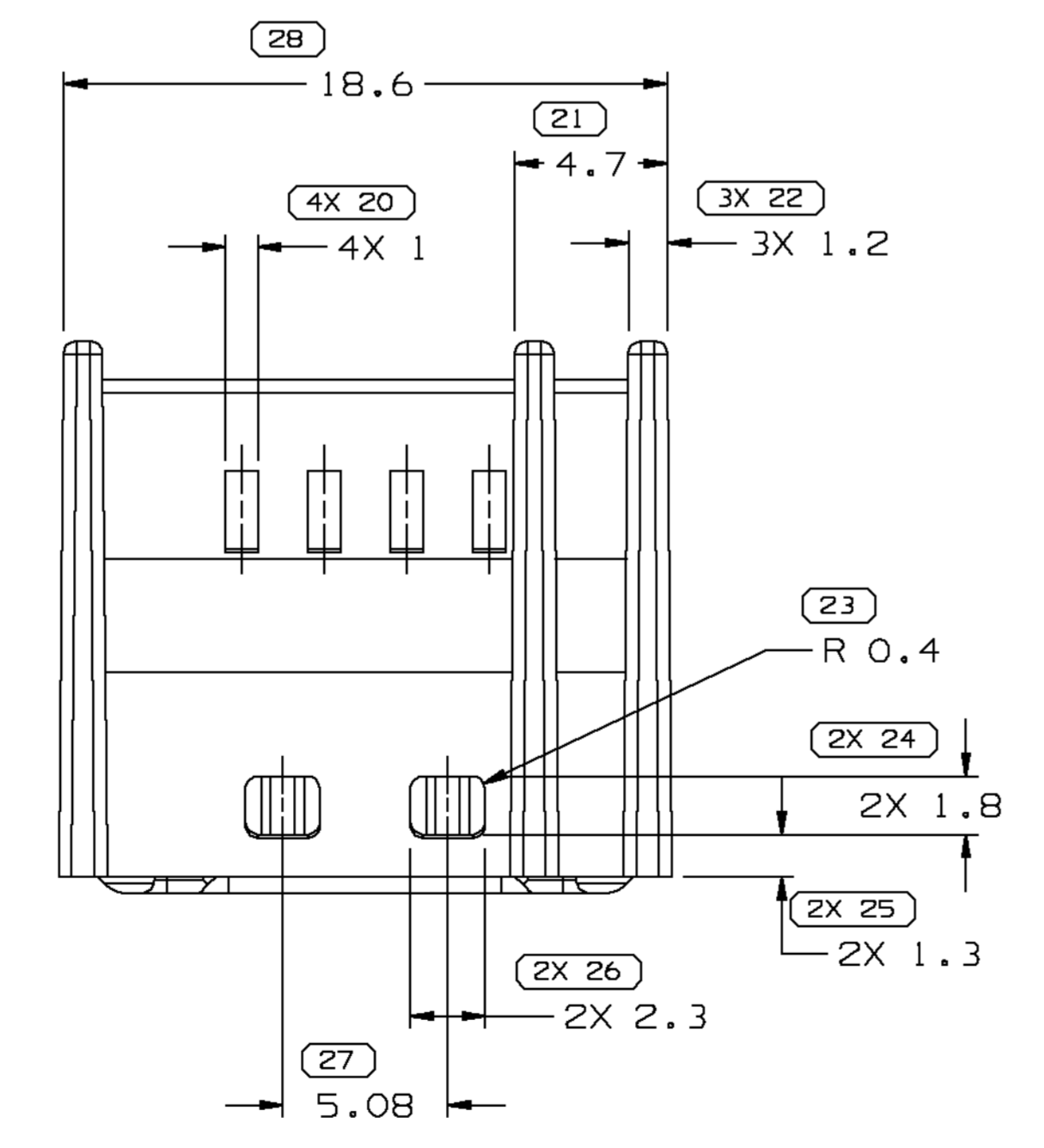
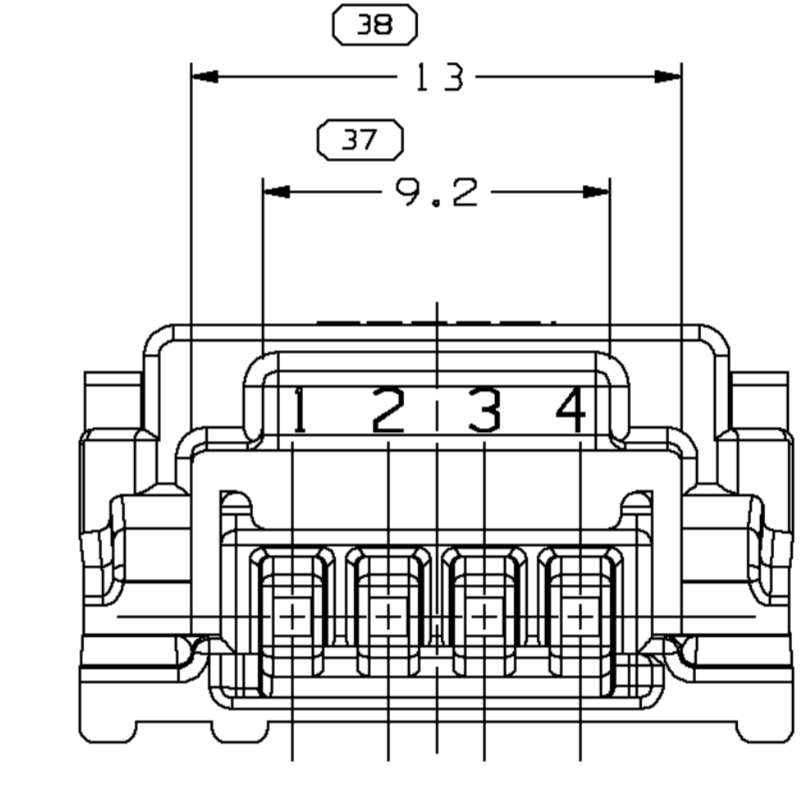
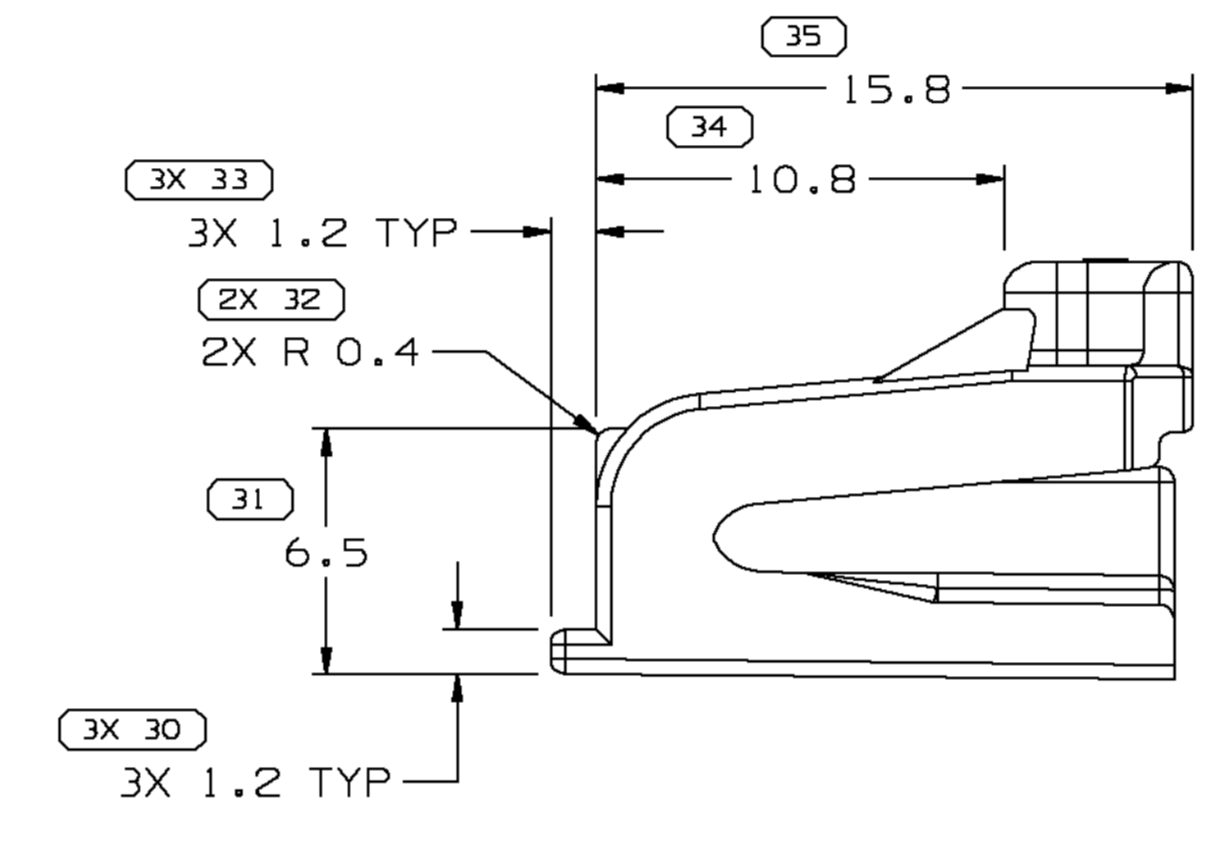
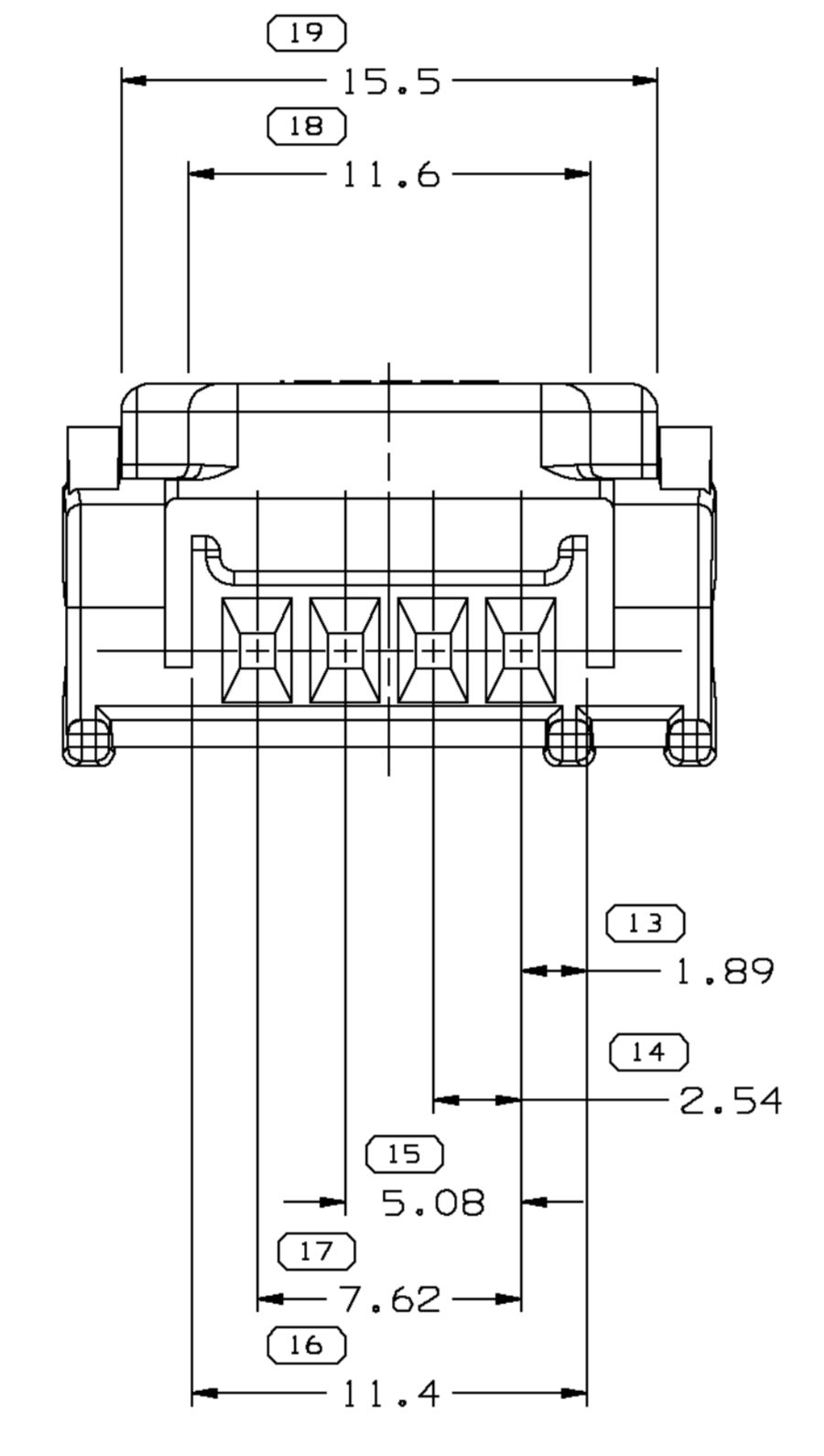
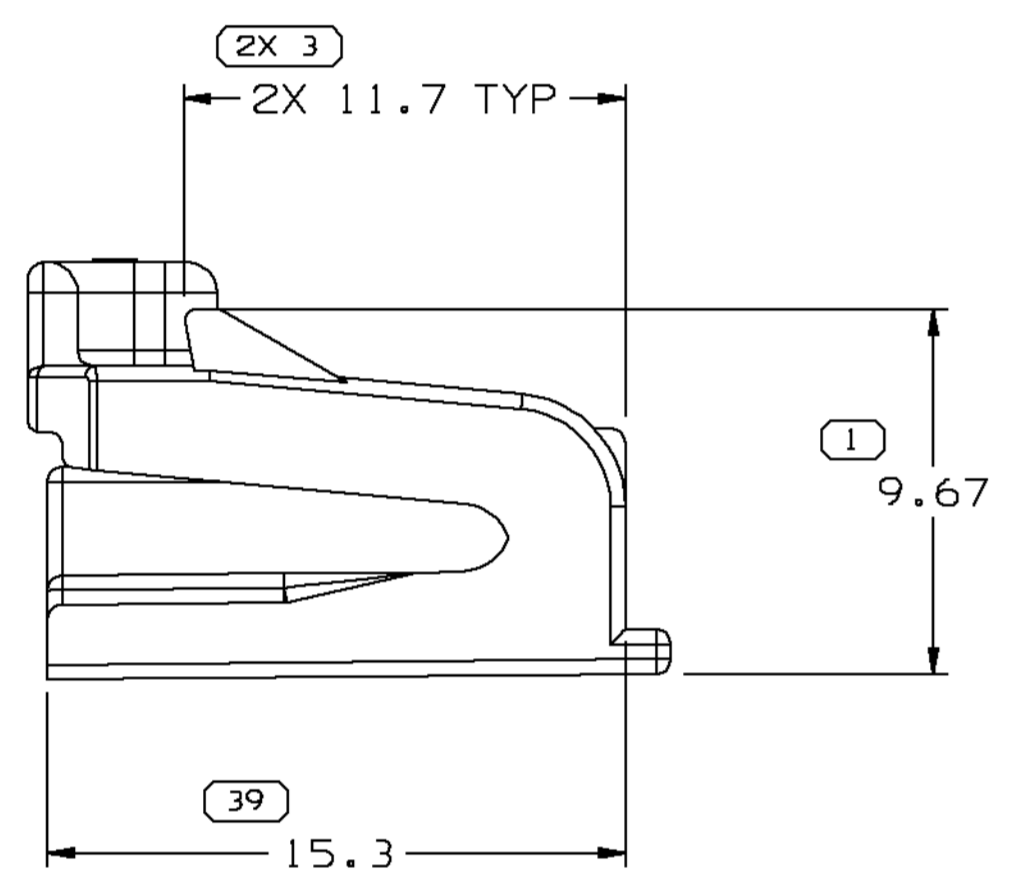
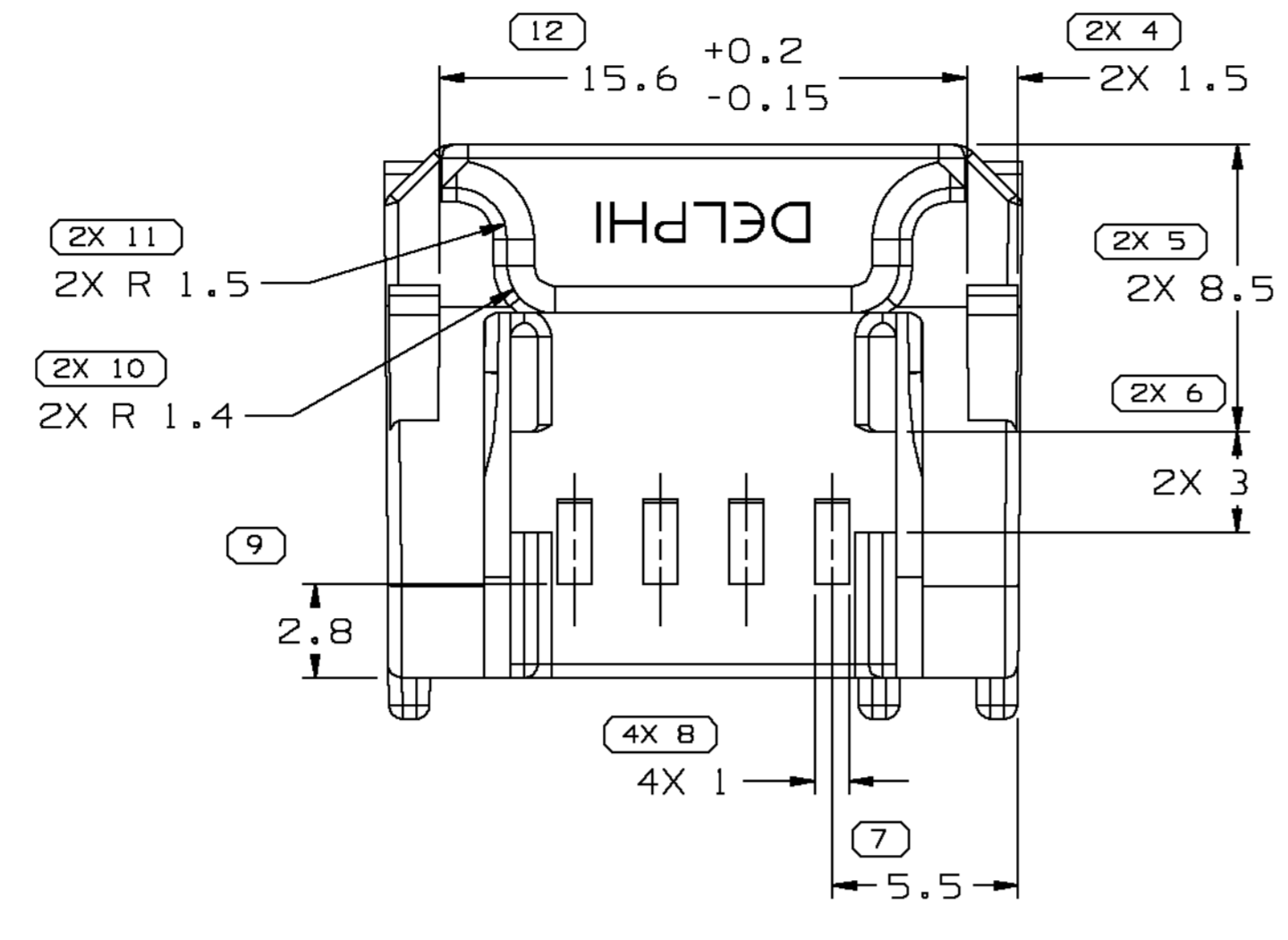


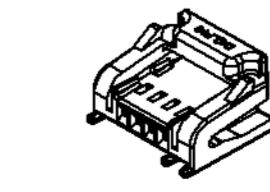
SYMBOL DEFINITION		TOTAL NO OF INSPECTIONS REQUIRED	MISSING SYMBOLS
A DIMENSION WITHOUT AN INSPECTION REPORT SYMBOL DOES NOT REQUIRE INSPECTION. IT MAY BE CONTROLLED ON THE INDIVIDUAL COMPONENT DRAWING.		58	2 29 36
	LAST NO. USED	39	

DATE	STG	REV	W/P	CHG	ZONE	REVISION HISTORY	AUTH	DR	APVD	APVD
26SE01	R	01	-	-	-	RELEASED	214296	FKV	FKV	MCW
21MY02	R	01	AA	-	-	ADDED DIM 39; REMOVED 2X 3.7 TYP DIM; 15.6+0.2-0.15 WAS 15.6; PROCESS SENSITIVE DIM WAS 35, AND MAT'L SPEC WAS R0071782	225397	TLD	TLD	PMJ
09AU02	R	01	AB	-	-	REMOVED 2X 7.17 TYP, 17.1 DIMS AND TBT FROM DIM 4 39	229024	TLD	TLD	PMJ
230C02	R	02	-	-	-	MATERIAL SPEC WAS M3592006	231418	TLD	TLD	PMJ
270C03	R	02	AA	-	-	ADDED DIMS (3) PLCS ON TQD.	247965	DAD	DAD	MJD



NOTES

- UNLESS OTHERWISE SPECIFIED AND/OR INDICATED: DIMENSIONS ARE TO FACE OF VIEW SHOWN AND AUTOMATICALLY ROUNDED BY COMPUTER FOR INSPECTION (SEE MATH MODEL FOR PRECISE DIMENSIONS). FOR ALL OTHER DIMENSIONS NOT SHOWN BUT REQUIRED FOR TOOL BUILD, SEE MATH MODEL FOR PRECISE TOOL PATH DATA.
- MATERIAL RECYCLING CODE PER SAE J1344 TO APPEAR ON PART.
- SEALING CODE 0 - UNSEALED
- MATING COMPONENTS OR EQUIVALENT: CUSTOMER MATING CONFIG. DWG. - 15393425
- THIS PART ACCEPTS THE FOLLOWING COMPONENTS OR EQUIVALENT: TERMINAL - 12177007
MAX INSULATION CRIMP MUST BE LESS THAN 1.6 HIGH AND 2.9 WIDE.
SEE DETAIL DRAWING FOR COMPATIBLE O.D. RANGE TERM & CONN POSITION ASSURANCE LOCK - 15393422



R 0.2 MAX SHARP CORNER TOLERANCE	R 0.1 MAX	DIMENSIONAL RANGE (MM)	CHART E1
	FROM	TO	SCALE
		0 > 20 > 30 > 70 > 100 > 150 > 200 > 250 > 300 > 400	
		10, 15 10, 2 ±0.3 ±0.4 ±0.5 ±0.6 ±0.8 ±1 ±1.2	
			ANGULAR TOLERANCE ±2°

PART DRAWING	
STYLE	1.06B
VOLUME (CPI)	6900
ROUTING	D
UNLESS OTHERWISE SPECIFIED	
THIS DOCUMENT IS IN ACCORDANCE WITH ASME Y14.5M-1994 AS AMENDED BY THE 2003 DIMENSIONING AND TOLERANCING ADDENDUM - 1997. ALL GEOMETRIC TOLERANCES AND RELATED DATUMS APPLY TO ALL DIMENSIONS UNLESS OTHERWISE SPECIFIED.	
MATERIAL DOES NOT APPLY WHEN RELATIONSHIP BETWEEN FEATURES IS ESTABLISHED BY ORIENTATION OR LOCATION TOLERANCES. SEPARATE POSITION CALLOUTS MAY BE BASED SEPARATELY, REGARDLESS OF DATUM REFERENCE.	
ALL DIMENSIONS ARE IN MILLIMETERS	
THIRD ANGLE PROJECTION	DO NOT SCALE
USE MATH DATA	UNIGRAPHICS

DELPHI
DELPHI PACKARD ELECTRIC SYSTEMS
WARREN, OH

DR	DATE
APVD1 FCO, W. KOPCA	26SE01
APVD2 FCO, W. KOPCA	26SE01
APVD3 M. C. WOLCZAK	27SE01
APVD4	
APVD5	

MATERIAL: M4692006 PBT YEL

DRAWING NAME: CONN 4 F MIC/P 064 YEL

DRAWING NUMBER: 15393421

SHEET NO	1 OF 1
REV	02