

1565963-2 ✓ ACTIVE

### Multilock Connector System

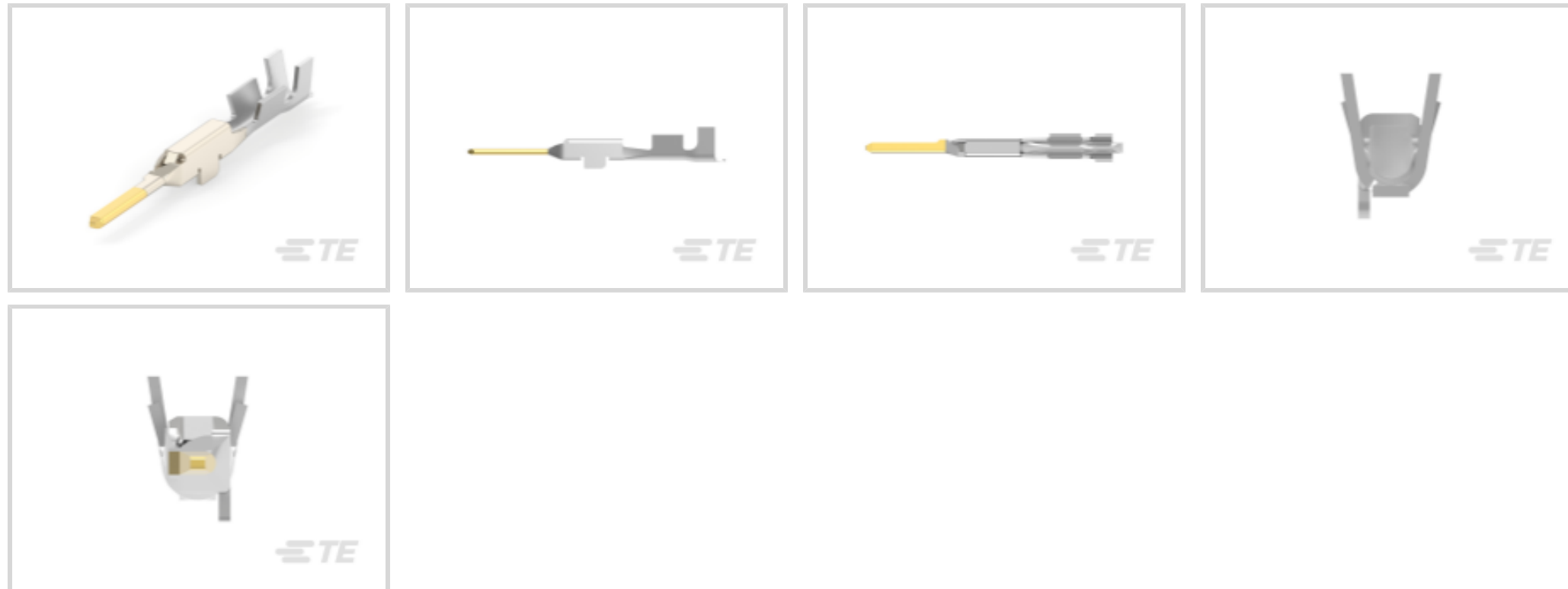
TE Internal #: 1565963-2

Automotive Terminals, Tab, Mating Tab Width 1 mm [.039 in], Tab Thickness .025 in [.64 mm], 22 – 20 AWG Wire Size, Multilock Connector System

[View on TE.com >](#)



Terminals & Splices > Automotive Terminals > MULTILOCK, RECEPTACLE AND TAB



Terminal Type: **Tab**

Mating Tab Width: **1 mm [ .039 in ]**

Mating Tab Thickness: **.64 mm [ .025 in ]**

Terminal Transmits: **0 – 24 A (Low Power)**

Wire Size: **22 – 20 AWG**

[All MULTILOCK, RECEPTACLE AND TAB \(143\)](#)

## Features

### Product Type Features

Receptacle Style	180°
Sealable	No
Primary Locking Feature	Clean Body

### Contact Features

Contact Size	1mm
Contact Fabrication	Stamped & Formed
Crimp Type	F-Crimp
Terminal Type	Tab
Mating Tab Width	1 mm[.039 in]
Mating Tab Thickness	.64 mm[.025 in]
Interface Plating	Gold (Au)

### Termination Features



Termination Method to Wire & Cable	Crimp
Product Terminates To	Wire

### Dimensions

Wire Size	.34 – .56 mm <sup>2</sup>
Wire Size Search	20 AWG, 21 AWG, 22 AWG

### Usage Conditions

Insulation Option	Uninsulated
-------------------	-------------

### Packaging Features

Packaging Method	Reel
Packaging Quantity	5000

### Other

Terminal Transmits	0 – 24 A (Low Power)
--------------------	----------------------

## Product Compliance

[For compliance documentation, visit the product page on TE.com>](#)

EU RoHS Directive 2011/65/EU	Compliant
EU ELV Directive 2000/53/EC	Compliant
China RoHS 2 Directive MIIT Order No 32, 2016	No Restricted Materials Above Threshold
EU REACH Regulation (EC) No. 1907/2006	Current ECHA Candidate List: JUNE 2022 (224) Candidate List Declared Against: JAN 2022 (223) SVHC > Threshold: Not Yet Reviewed
Halogen Content	Low Halogen - Br, Cl, F, I < 900 ppm per homogenous material. Also BFR/CFR/PVC Free
Solder Process Capability	Not applicable for solder process capability

#### Product Compliance Disclaimer

This information is provided based on reasonable inquiry of our suppliers and represents our current actual knowledge based on the information they provided. This information is subject to change. The part numbers that TE has identified as EU RoHS compliant have a maximum concentration of 0.1% by weight in homogenous materials for lead, hexavalent chromium, mercury, PBB, PBDE, DBP, BBP, DEHP, DIBP, and 0.01% for cadmium, or qualify for an exemption to these limits as defined in the Annexes of Directive 2011/65/EU (RoHS2). Finished electrical and electronic equipment products will be CE marked as required by Directive 2011/65/EU. Components may not be CE marked. Additionally, the part numbers that TE has identified as EU ELV compliant have a maximum concentration of 0.1% by weight in homogenous materials for lead, hexavalent chromium, and mercury, and 0.01% for cadmium, or qualify for an exemption to these limits as defined in the Annexes of Directive 2000/53/EC (ELV). Regarding the REACH Regulation, the information TE provides

on SVHC in articles for this part number is based on the latest European Chemicals Agency (ECHA) 'Guidance on requirements for substances in articles' posted at this URL: <https://echa.europa.eu/guidance-documents/guidance-on-reach>

## Compatible Parts



TE Part # 2-2836994-1  
OCEAN\_2.0\_APPLICATION-S-FM-067F062F



TE Part # 2-2836994-2  
OCEAN\_2.0\_APPLICATION-S-FM-067F062FA



TE Part # 2836994-1  
OCEAN\_2.0\_APPLICATION-S-FM-067F062F



TE Part # 2836994-2  
OCEAN\_2.0\_APPLICATION-S-FM-067F062FA



TE Part # 5-2836994-1  
OCEAN\_2.0\_APPLICATION-S-FM-067F062F



TE Part # 5-2836994-2  
OCEAN\_2.0\_APPLICATION-S-FM-067F062FA



TE Part # 7-2836974-7  
OC-067F062F-752-CRIMPTOOLKIT



TE Part # 7-2836994-1  
OCEAN\_2.0\_APPLICATION-S-FM-067F062F




TE Part # 7-2836994-2  
OCEAN\_2.0\_APPLICATION-S-FM-067F062FA

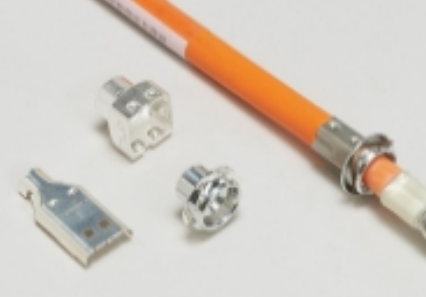


TE Part # 7-2836994-7  
OCEAN\_2.0\_SPARE\_PART\_KIT-067F062F

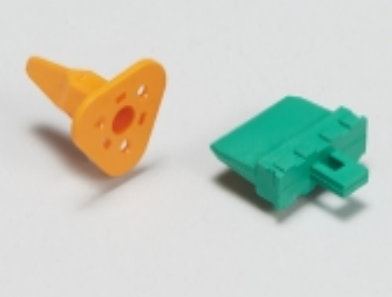
## Also in the Series | Multilock Connector System




Automotive Connector Caps & Covers (16)



Automotive Connector EMC Shielding (1)



Automotive Connector Locks & Position Assurance(2)



Automotive Housings(575)



Automotive Seals & Cavity Plugs(2)



Automotive Terminals(141)



Insertion & Extraction Tools(6)



Other Automotive Connector Accessories(9)

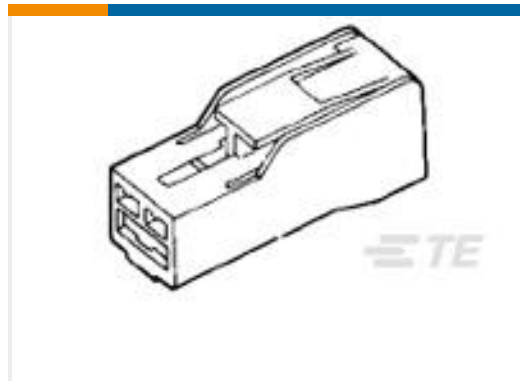


PCB Headers & Receptacles(129)

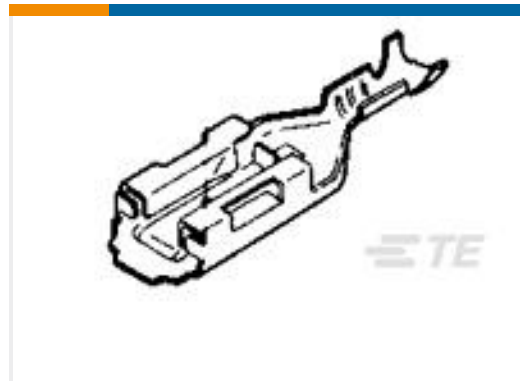
## Customers Also Bought



TE Part #1674312-2  
TH/.025 CONNECTOR SYSTEM,  
HOUSING



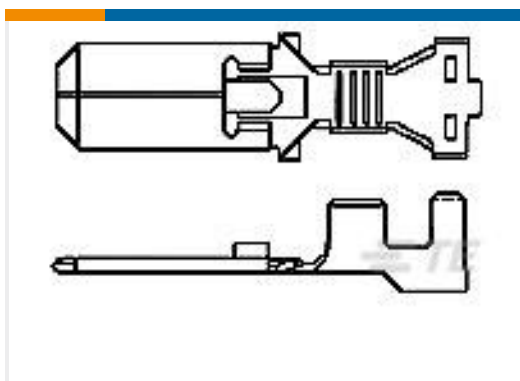
TE Part #172320-2  
POSITIVE LOCK 250 (6.3 MM)  
HOUSING



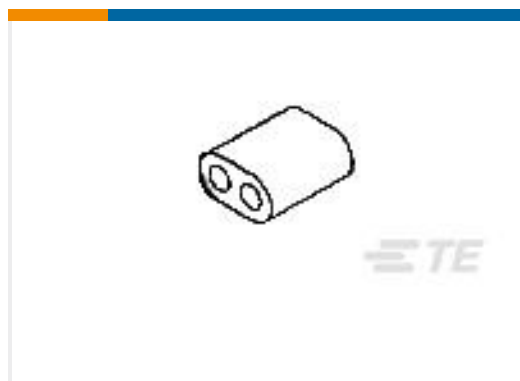
TE Part #170454-2  
PL 250 AM REC 18-14 0.40 X 21 PRE-  
TPBR



TE Part #316837-2  
040-3 UNSEALED REC CONT. S AU



TE Part #344067-1  
.250" SPEC.F.TAB.(PLATED)



TE Part #353379-2  
SQUIB CONN FERRITE



TE Part #2013360-2  
0.50/1.0 SEALED WIRE COVER 140POS

## Documents

### Product Drawings

[040III TAB NON SEALED AU](#)

Japanese

### CAD Files

[3D PDF](#)

[3D](#)

[Customer View Model](#)

[ENG\\_CVM\\_CVM\\_1565963-2\\_A.2d\\_dxf.zip](#)



English

**Customer View Model**

[ENG\\_CVM\\_CVM\\_1565963-2\\_A.3d\\_igs.zip](#)

English

**Customer View Model**

[ENG\\_CVM\\_CVM\\_1565963-2\\_A.3d\\_stp.zip](#)

English

By downloading the CAD file I accept and agree to the [Terms and Conditions](#) of use.

---

## Datasheets & Catalog Pages

[MULTILOCK Connector System](#)

English

---

## Product Specifications

[Crimping .040III Unsealed Contact, Tab](#)

Japanese

[Application Specification](#)

Japanese

[Crimping .040III Unsealed Contact, Tab](#)

Japanese

[Application Specification](#)

Japanese

---

## Product Environmental Compliance

[Product Compliance](#)

English

[Product Compliance](#)

English