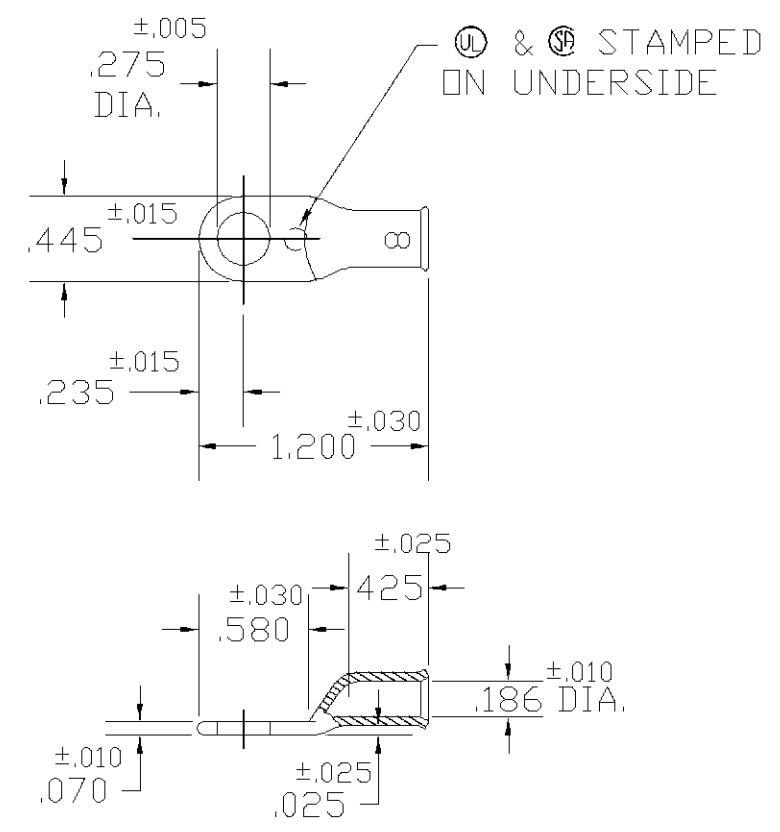


THIS DRAWING IS UNPUBLISHED. RELEASED FOR PUBLICATION
 © COPYRIGHT BY TYCO ELECTRONICS CORPORATION. ALL RIGHTS RESERVED.

| LOC | DIST | REVISIONS | | | | | |
|-----|------|-----------|-----|----------------------|---------|-----|------|
| | | P | LTR | DESCRIPTION | DATE | DWN | APVD |
| G | 50 | | A | REV PER 0G61-0047-02 | 04JUN02 | JR | MS |



| | | | | |
|--------|---------|-----------|-----------|-------------|
| ACTIVE | 8141-01 | STANDARD | TIN PLATE | 1526115-2 |
| ACTIVE | 8141-00 | STANDARD | PLAIN | 1526115-1 |
| STATUS | AET P/N | PACKAGING | FINISH | PART NUMBER |

| | | | | | |
|---|--|---------------------------|---|--------------------|-------------------------|
| THIS DRAWING IS A CONTROLLED DOCUMENT. | | DWN D.A.A 10/31/00 | Tyco Electronics Corporation Harrisburg, PA 17105-3608 | | |
| DIMENSIONS: INCHES | | CHK H.D.F 10/31/00 | | | |
| TOLERANCES UNLESS OTHERWISE SPECIFIED: | | APVD H.D.F 10/31/00 | PRODUCT SPEC - | | |
| 0 PLC ± - 1 PLC ± - 2 PLC ± - 3 PLC ± - 4 PLC ± - ANGLES ± - | | APPLICATION SPEC - | SIZE A3 | | |
| MATERIAL COPPER ASTM B-152 | | FINISH - | WEIGHT - | CAGE CODE 00779 | DRAWING NO C-1526115 |
| CUSTOMER DRAWING | | | RESTRICTED TO - | SCALE 1:1 | SHEET 1 OF 1 |
| | | | REV A | | |