

154719-5 ✓ ACTIVE

Positive Lock | Positive Lock 250

TE Internal #: 154719-5

Crimp Terminal Housings, Receptacle, Receptacle, 1 Position,
Straight, UL 94V-2, Green, Polyamide 6.6 GF, Mating Alignment,
Positive Lock 250

[View on TE.com >](#)



Terminals & Splices > Terminal Housings, Insulation Sleeves & Blocks > Crimp Terminal Housings



Terminal Type: **Receptacle**

Housing Type: **Receptacle**

Number of Positions: **1**

Terminal Orientation: **Straight**

UL Flammability Rating: **UL 94V-2**

Features

Product Type Features

Terminates To	Wire & Cable
Product Type	Terminal Housing
Sealable	No
Connector System	Wire-to-Board, Wire-to-Wire
Housing Type	Receptacle
Insulated	No

Configuration Features

Number of Positions	1
---------------------	---

Body Features

Primary Product Color	Green
-----------------------	-------

Contact Features

Terminal Type	Receptacle
Terminal Orientation	Straight
Contact Mating Retention	Without



Mechanical Attachment

Mating Alignment Type	Polarization
Mating Alignment	With
Crimp Terminal Housing Mounting Style	Cable Mount (Free-Hanging)

Housing Features

Housing Material	Polyamide 6.6 GF
------------------	------------------

Dimensions

Length	24.26 mm[.96 in]
--------	------------------

Usage Conditions

Operating Temperature Range	-40 – 105 °C[-40 – 221 °F]
-----------------------------	----------------------------

Industry Standards

UL Flammability Rating	UL 94V-2
------------------------	----------

Packaging Features

Packaging Quantity	1500
--------------------	------

Product Compliance

[For compliance documentation, visit the product page on TE.com>](#)

EU RoHS Directive 2011/65/EU	Compliant
EU ELV Directive 2000/53/EC	Compliant
China RoHS 2 Directive MIIT Order No 32, 2016	No Restricted Materials Above Threshold
EU REACH Regulation (EC) No. 1907/2006	Current ECHA Candidate List: JUNE 2022 (224) Candidate List Declared Against: JAN 2022 (223) SVHC > Threshold: Not Yet Reviewed
Halogen Content	Low Halogen - Br, Cl, F, I < 900 ppm per homogenous material. Also BFR/CFR/PVC Free
Solder Process Capability	Not applicable for solder process capability

Product Compliance Disclaimer

This information is provided based on reasonable inquiry of our suppliers and represents our current actual knowledge based on the information they provided. This information is subject to change. The part numbers that TE has identified as EU RoHS compliant have a maximum concentration of 0.1% by weight in homogenous materials for lead, hexavalent chromium, mercury, PBB, PBDE, DBP, BBP, DEHP, DIBP, and 0.01% for cadmium, or qualify for an exemption to these limits as defined in the Annexes of Directive 2011/65/EU (RoHS2). Finished electrical and electronic equipment products

will be CE marked as required by Directive 2011/65/EU. Components may not be CE marked. Additionally, the part numbers that TE has identified as EU ELV compliant have a maximum concentration of 0.1% by weight in homogenous materials for lead, hexavalent chromium, and mercury, and 0.01% for cadmium, or qualify for an exemption to these limits as defined in the Annexes of Directive 2000/53/EC (ELV). Regarding the REACH Regulation, the information TE provides on SVHC in articles for this part number is based on the latest European Chemicals Agency (ECHA) 'Guidance on requirements for substances in articles' posted at this URL: <https://echa.europa.eu/guidance-documents/guidance-on-reach>

Compatible Parts



TE Part # 154718-3
PL 250 REC 0.7-2.0 MM2 0.406 TPBR



TE Part # 63812-1
250 PL MKI REC. 18-14AWG TPBR



TE Part # 154717-3
PL 250 REC TERMINAL 14-11 AWG TPBR



TE Part # 790319-3
250 PL MKI REC. 12-10AWG PTBR



TE Part # 926646-1
PL 250 REC HSG 8P NYLON BLACK



TE Part # 344160-1
R/ANGLE POS.LOK.BOOT



TE Part # 1-160759-1
250 PL MKI REC. 20-15AWG PTBR

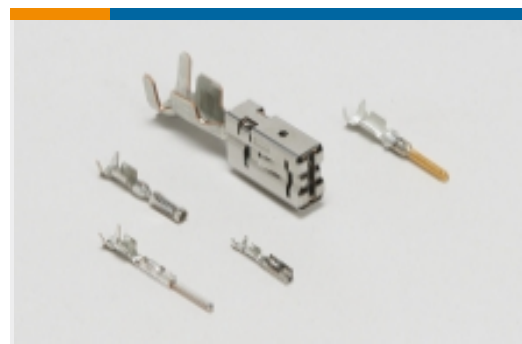


TE Part # 926646-8
PL 250 8P HOUSING PA6.6 ZYTEL 101 WHITE

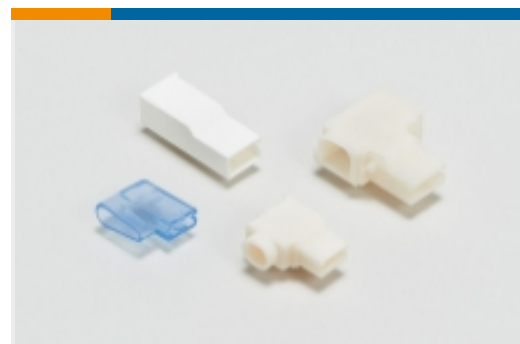


TE Part # 926646-3
PL 250 8P HOUSING PA6.6 ZYTEL 101NATURAL

Also in the Series | Positive Lock 250



Automotive Terminals(1)



Crimp Terminal Housings(203)



Insertion & Extraction Tools(3)



Insulation Boots & Sleeves(4)



Quick Disconnects(189)

Customers Also Bought



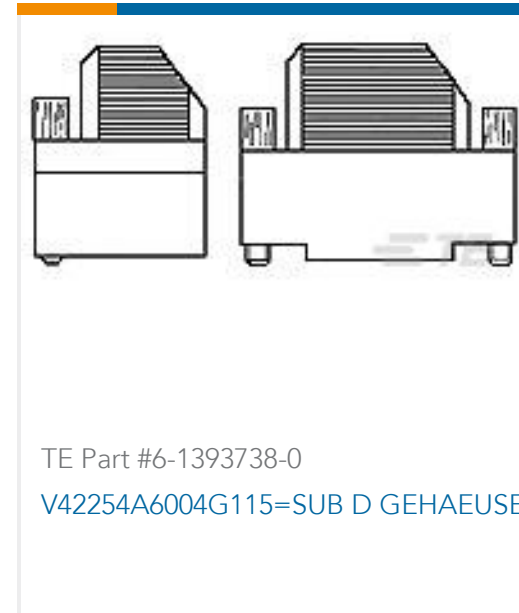
TE Part #1658538-2
SOCKET CONT DUPL PLT STRIP HD-



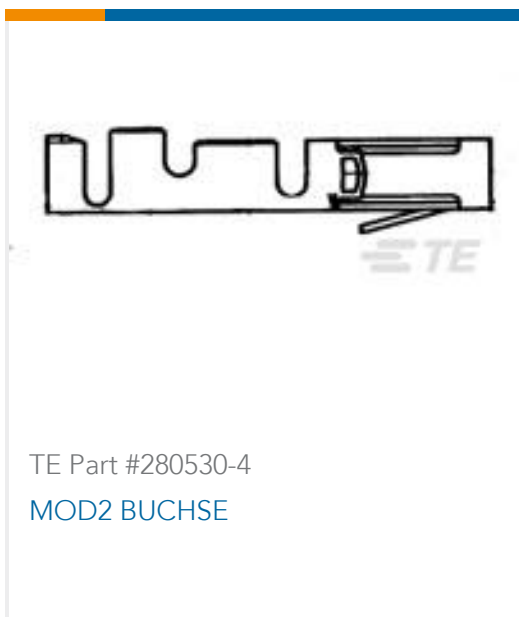
TE Part #5749202-2
50 50SR KIT,75D,UK



TE Part #926302-3
10P UN-MNL STECKGEH



TE Part #6-1393738-0
V42254A6004G115=SUB D GEHAEUSE



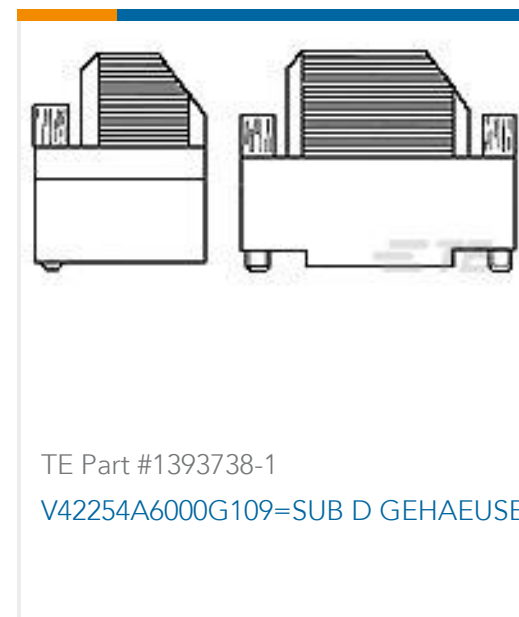
TE Part #280530-4
MOD2 BUCHSE



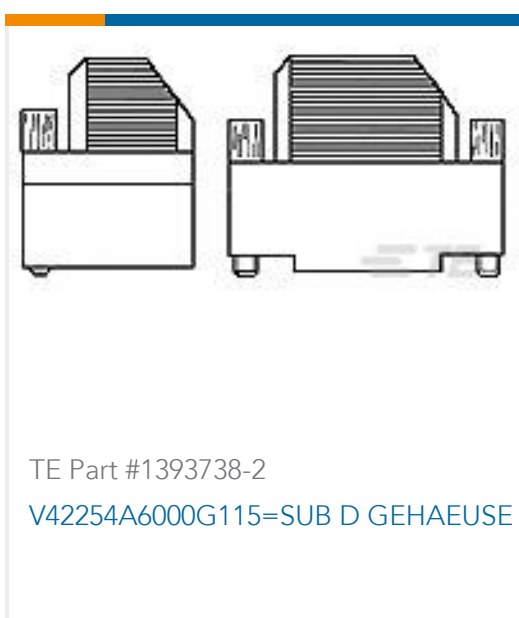
TE Part #41800
250 FASTON FLAG REC 18-12 AWG TPBZ



TE Part #9148734001
RNF-3000-18/6-9-SP



TE Part #1393738-1
V42254A6000G109=SUB D GEHAEUSE



TE Part #1393738-2
V42254A6000G115=SUB D GEHAEUSE



TE Part #160773-4
PL LP RECEPTACLE 0.5-1.5 MM2 TPPHBZ

Documents

Product Drawings

PL 250 REC HSG 1P NYLON GREEN

English

CAD Files

3D PDF

3D

Customer View Model

ENG_CVM_CVM_154719-5_AV.2d_dxf.zip



English

Customer View Model

[ENG_CVM_CVM_154719-5_AV.3d_igs.zip](#)

English

Customer View Model

[ENG_CVM_CVM_154719-5_AV.3d_stp.zip](#)

English

By downloading the CAD file I accept and agree to the [Terms and Conditions](#) of use.

Product Specifications

[Application Specification](#)

English

Instruction Sheets

[Instruction Sheet \(U.S.\)](#)

English