



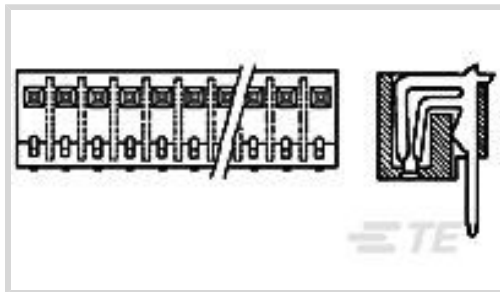
AMP

TE Internal #: 163681-2

PCB Mount Receptacle, Vertical, Board-to-Board, 4 Position, .098 in [2.5 mm] Centerline, Breakaway, Tin, Through Hole - Solder, Signal, Gray

[View on TE.com >](#)

Connectors > PCB Connectors > PCB Headers & Receptacles



PCB Connector Assembly Type: **PCB Mount Receptacle**

PCB Mount Orientation: **Vertical**

Connector System: **Board-to-Board**

Number of Positions: **4**

Number of Rows: **1**

Features

Product Type Features

| | |
|-----------------------------------|-----------------------|
| PCB Connector Assembly Type | PCB Mount Receptacle |
| Connector System | Board-to-Board |
| Header Type | Breakaway |
| Sealable | No |
| Connector & Contact Terminates To | Printed Circuit Board |

Configuration Features

| | |
|-----------------------|----------|
| Stackable | No |
| PCB Mount Orientation | Vertical |
| Number of Positions | 4 |
| Number of Rows | 1 |

Body Features

| | |
|-----------------------|------|
| Primary Product Color | Gray |
|-----------------------|------|

Contact Features

| | |
|---|-----------------|
| Contact Layout | Inline |
| PCB Contact Termination Area Plating Material Thickness | 1.52 – 3.048 µm |
| Mating Tab Width | .68 mm[.026 in] |
| Mating Tab Thickness | .76 mm[.029 in] |
| Contact Shape & Form | Square |



| | |
|--|--------------------------------|
| PCB Contact Termination Area Plating Material | Tin-Lead |
| Contact Base Material | Brass |
| Contact Mating Area Plating Material | Tin |
| Contact Mating Area Plating Material Thickness | 1.524 – 3.048 µm[60 – 120 µin] |
| Contact Type | Socket |
| Contact Current Rating (Max) | 5 A |

Termination Features

| | |
|---|-----------------------|
| Rectangular Termination Post & Tail Thickness | .56 mm[.022 in] |
| Rectangular Termination Post & Tail Width | .74 mm[.029 in] |
| Termination Post & Tail Length | 4.3 mm[.169 in] |
| Termination Method to Printed Circuit Board | Through Hole - Solder |

Mechanical Attachment

| | |
|-------------------------|-------------|
| Mating Alignment | Without |
| PCB Mount Retention | Without |
| PCB Mount Alignment | Without |
| Connector Mounting Type | Board Mount |

Housing Features

| | |
|-----------------------|-----------------|
| Mating Entry Location | Bottom |
| Centerline (Pitch) | 2.5 mm[.098 in] |
| Housing Material | Crastin |

Dimensions

| | |
|------------------|---------------|
| Connector Height | 7.6 mm[.3 in] |
|------------------|---------------|

Usage Conditions

| | |
|-----------------------------|---------------------------|
| Operating Temperature Range | -40 – 85 °C[-40 – 185 °F] |
|-----------------------------|---------------------------|

Operation/Application

| | |
|---------------------|--------|
| Circuit Application | Signal |
|---------------------|--------|

Industry Standards

| | |
|------------------------|----------|
| UL Flammability Rating | UL 94V-1 |
|------------------------|----------|

Packaging Features

| | |
|--------------------|------|
| Packaging Quantity | 2000 |
| Packaging Type | Box |

Product Compliance

For compliance documentation, visit the product page on [TE.com](https://www.te.com)>

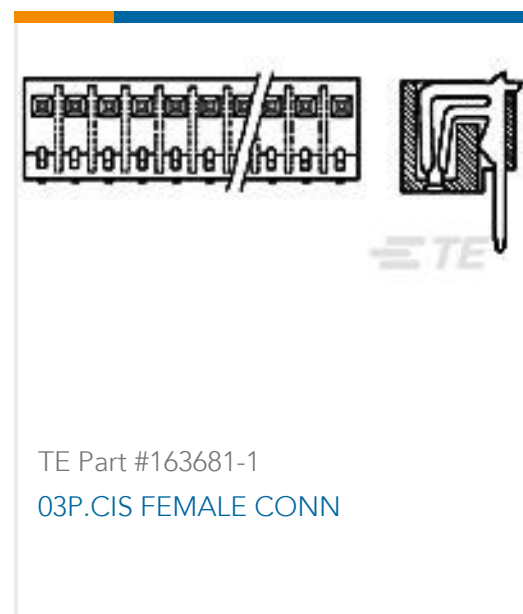
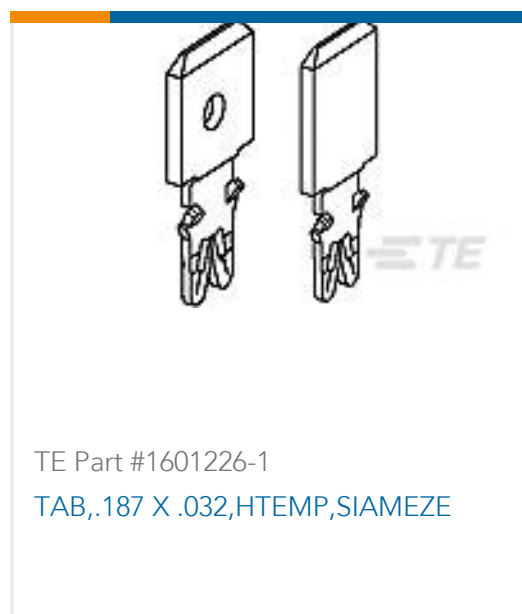
| | |
|---|--|
| EU RoHS Directive 2011/65/EU | Compliant |
| EU ELV Directive 2000/53/EC | Compliant |
| China RoHS 2 Directive MIIT Order No 32, 2016 | No Restricted Materials Above Threshold |
| EU REACH Regulation (EC) No. 1907/2006 | Current ECHA Candidate List: JUNE 2022 (224) Candidate List Declared Against: JUL 2021 (219) SVHC > Threshold: Not Yet Reviewed |
| Halogen Content | Not Low Halogen - contains Br or Cl > 900 ppm. |
| Solder Process Capability | Wave solder capable to 265°C |

Product Compliance Disclaimer

This information is provided based on reasonable inquiry of our suppliers and represents our current actual knowledge based on the information they provided. This information is subject to change. The part numbers that TE has identified as EU RoHS compliant have a maximum concentration of 0.1% by weight in homogenous materials for lead, hexavalent chromium, mercury, PBB, PBDE, DBP, BBP, DEHP, DIBP, and 0.01% for cadmium, or qualify for an exemption to these limits as defined in the Annexes of Directive 2011/65/EU (RoHS2). Finished electrical and electronic equipment products will be CE marked as required by Directive 2011/65/EU. Components may not be CE marked. Additionally, the part numbers that TE has identified as EU ELV compliant have a maximum concentration of 0.1% by weight in homogenous materials for lead, hexavalent chromium, and mercury, and 0.01% for cadmium, or qualify for an exemption to these limits as defined in the Annexes of Directive 2000/53/EC (ELV). Regarding the REACH Regulation, the information TE provides on SVHC in articles for this part number is based on the latest European Chemicals Agency (ECHA) 'Guidance on requirements for substances in articles' posted at this URL: <https://echa.europa.eu/guidance-documents/guidance-on-reach>

Customers Also Bought

| | | | |
|---|---|--|--|
|  <p>TE Part #2-917542-3 Header Assembly: Wire-to-Board, 20-45A, 250-630V</p> |  <p>TE Part #2103247-2 SPLIT HEADER ASSY, KEY B, HVA280</p> |  <p>TE Part #1-962843-2 TAB 2.8x0.8 CONTACT CS SRC Ag</p> |  <p>TE Part #2103321-2 3p Inner Hsg, Split Hdr, Key B, HVA280</p> |
|---|---|--|--|



Documents

CAD Files

[3D PDF](#)

[3D](#)

Customer View Model

[ENG_CVM_CVM_163681-2_H_c-163681-2-h.2d_dxf.zip](#)

English

Customer View Model

[ENG_CVM_CVM_163681-2_H_c-163681-2-h.3d_igs.zip](#)

English

Customer View Model

[ENG_CVM_CVM_163681-2_H_c-163681-2-h.3d_stp.zip](#)

English

By downloading the CAD file I accept and agree to the [Terms and Conditions](#) of use.

Product Specifications

[Application Specification](#)

English

[CIS Crimp Snap-In Receptacle Contact](#)

English

Product Environmental Compliance

[TE Material Declaration](#)

English