

155914-1 ✓ ACTIVE

FASTON | FASTON 250

TE Internal #: 155914-1

Splices, Splice Capacity 1, Brass, Butt Splice Splice, Length 2.062 in [52.4 mm], Loose Piece, Fully Insulated, FASTON 250

[View on TE.com >](#)



Terminals & Splices > Splices



Sealable: **No**

Splice Capacity: **1**

Primary Product Material: **Brass**

Splice Type: **Butt Splice**

Terminal Material Thickness: **.66 mm [.025 in]**

Features

Product Type Features

Splice Accessory Type	Splice
Sealable	No
Splice Type	Butt Splice
Serrated	No

Configuration Features

Splice Capacity	1
-----------------	---

Body Features

Weight per Piece	1 g
Plating Material	Unplated
Primary Product Material	Brass

Housing Features

Housing Material	Polypropylene
------------------	---------------

Dimensions

Terminal Material Thickness	.66 mm[.025 in]
-----------------------------	-----------------



Overall Product Length	52.4 mm[2.062 in]
------------------------	-------------------

Usage Conditions

Insulation Option	Fully Insulated
-------------------	-----------------

Operation/Application

Heavy Duty	No
------------	----

Industry Standards

Government Qualified Splice	No
-----------------------------	----

Packaging Features

Packaging Quantity	1000
--------------------	------

Packaging Method	Loose Piece
------------------	-------------

Product Compliance

[For compliance documentation, visit the product page on TE.com>](#)

EU RoHS Directive 2011/65/EU	Compliant
------------------------------	-----------

EU ELV Directive 2000/53/EC	Compliant
-----------------------------	-----------

China RoHS 2 Directive MIIT Order No 32, 2016	No Restricted Materials Above Threshold
---	---

EU REACH Regulation (EC) No. 1907/2006	Current ECHA Candidate List: JUNE 2022 (224) Candidate List Declared Against: JAN 2021 (211) SVHC > Threshold: Not Yet Reviewed
--	--

Halogen Content	Low Halogen - Br, Cl, F, I < 900 ppm per homogenous material. Also BFR/CFR/PVC Free
-----------------	---

Solder Process Capability	Not applicable for solder process capability
---------------------------	--

Product Compliance Disclaimer

This information is provided based on reasonable inquiry of our suppliers and represents our current actual knowledge based on the information they provided. This information is subject to change. The part numbers that TE has identified as EU RoHS compliant have a maximum concentration of 0.1% by weight in homogenous materials for lead, hexavalent chromium, mercury, PBB, PBDE, DBP, BBP, DEHP, DIBP, and 0.01% for cadmium, or qualify for an exemption to these limits as defined in the Annexes of Directive 2011/65/EU (RoHS2). Finished electrical and electronic equipment products will be CE marked as required by Directive 2011/65/EU. Components may not be CE marked. Additionally, the part numbers that TE has identified as EU ELV compliant have a maximum concentration of 0.1% by weight in homogenous materials for lead, hexavalent chromium, and mercury, and 0.01% for cadmium, or qualify for an exemption to these limits as defined in the Annexes of Directive 2000/53/EC (ELV). Regarding the REACH Regulation, the information TE provides on SVHC in articles for this part number is based on the latest European Chemicals Agency (ECHA) 'Guidance on requirements for substances in articles' posted at this URL: <https://echa.europa.eu/guidance-documents/guidance-on-reach>

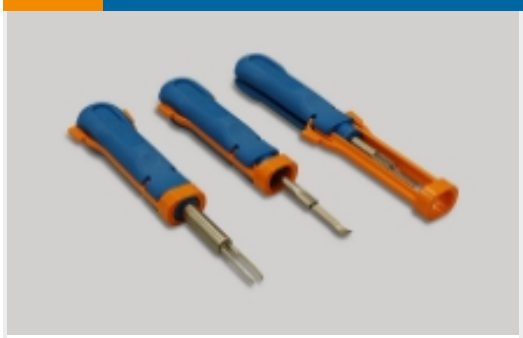
Also in the Series | FASTON 250



Compression Connectors(4)



Crimp Terminal Housings(143)



Insertion & Extraction Tools(6)



Magnet Wire Terminals(1)



PCB Terminals(144)

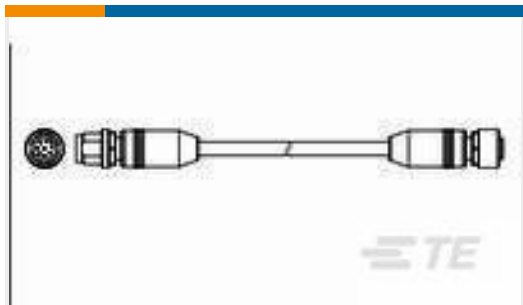


Quick Disconnects(456)

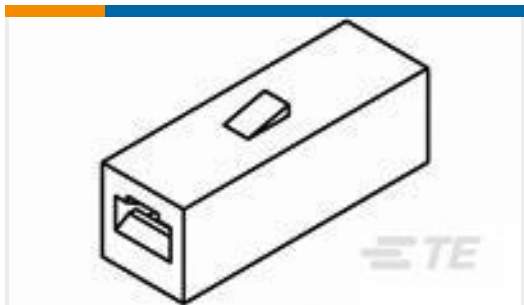


Splices(4)

Customers Also Bought



TE Part #2273115-4
M12 strgt plug to M12 strgt socket AA



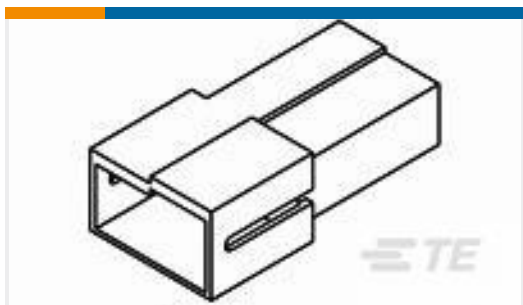
TE Part #626062
FASTIN-ON HOUSING REC PA66 NATURAL



TE Part #1-1703062-2
CAP, 2 CIRCUIT , UNIVERSAL MATE-N-LOK



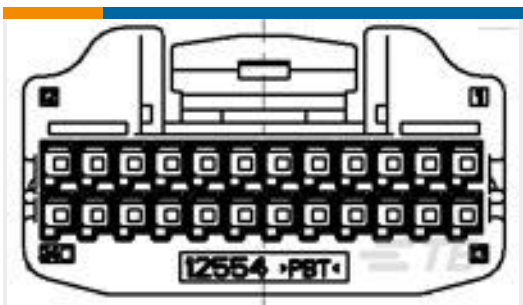
TE Part #1703062-1
CAP, 2 CIRCUIT , UNIVERSAL MATE-N-LOK



TE Part #626065
2 P FASTIN-ON 110 HOUSING TAB PA66 NAT



TE Part #1-967587-3
6POS MQS TAB SEALED COD A



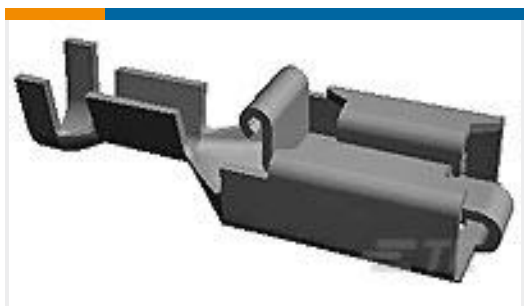
TE Part #1318917-1
025 ECU PLUG HSG ASSY 24P



TE Part #T4113002081-000
M12,MALE,RA,A CODE,8P,PG9,GOLD



TE Part #D34796-000
B-155-3801



TE Part #341001-3
PL 250 REC TERMINAL 13-11 TPBR LP



Documents

Product Drawings

[LINE SPL.CONN.250](#)

English

CAD Files

3D PDF

3D

Customer View Model

[ENG_CVM_CVM_155914-1_E.2d_dxf.zip](#)

English

Customer View Model

[ENG_CVM_CVM_155914-1_E.3d_igs.zip](#)

English

Customer View Model

[ENG_CVM_CVM_155914-1_E.3d_stp.zip](#)

English

Customer View Model

[ENG_CVM_155914-1_G.3d_igs.zip](#)

English

Customer View Model

[ENG_CVM_155914-1_G.3d_stp.zip](#)

English

Customer View Model

[ENG_CVM_155914-1_G.2d_dxf.zip](#)

English

3D PDF

English

By downloading the CAD file I accept and agree to the [Terms and Conditions](#) of use.

Datasheets & Catalog Pages

[Digital Data Sheet](#)

English