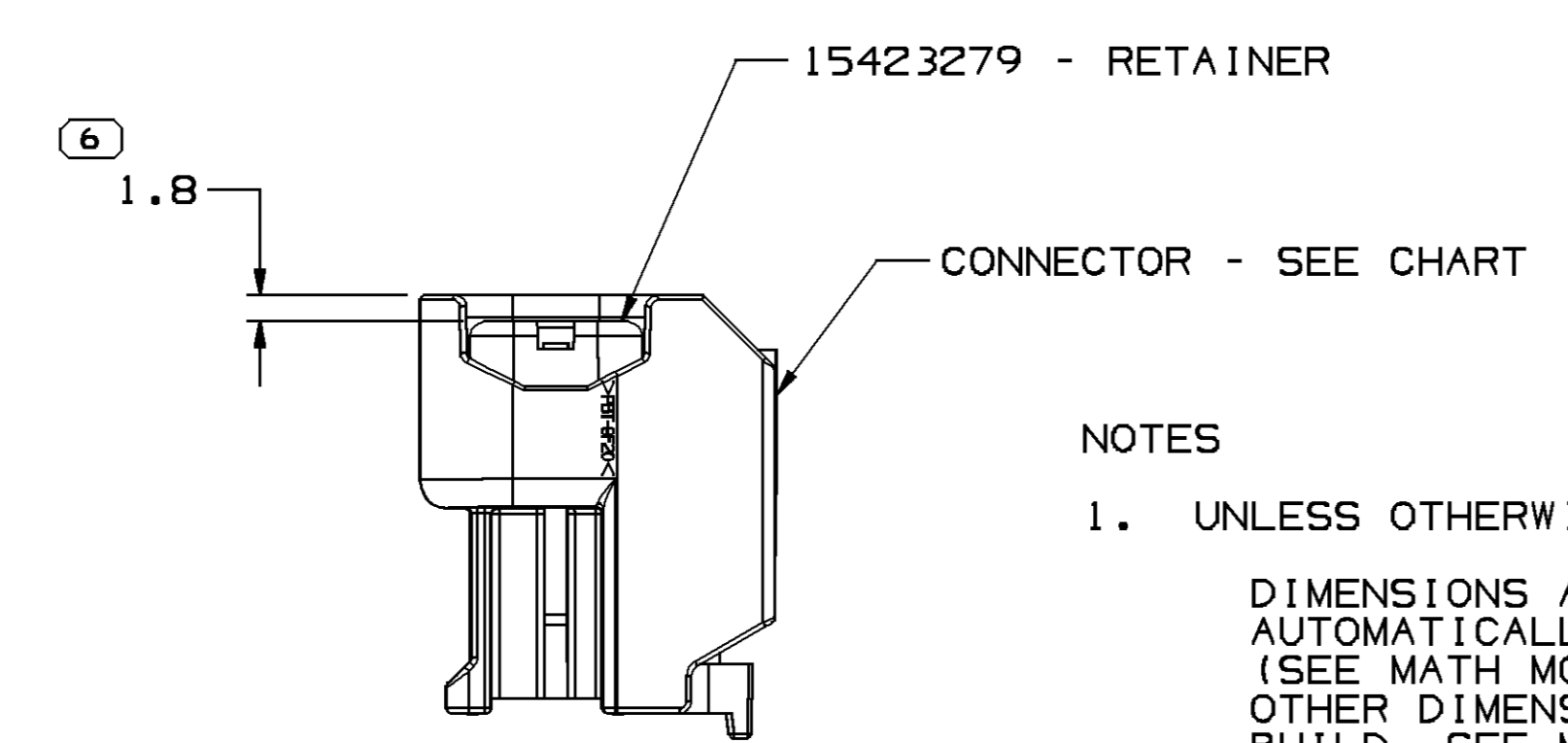
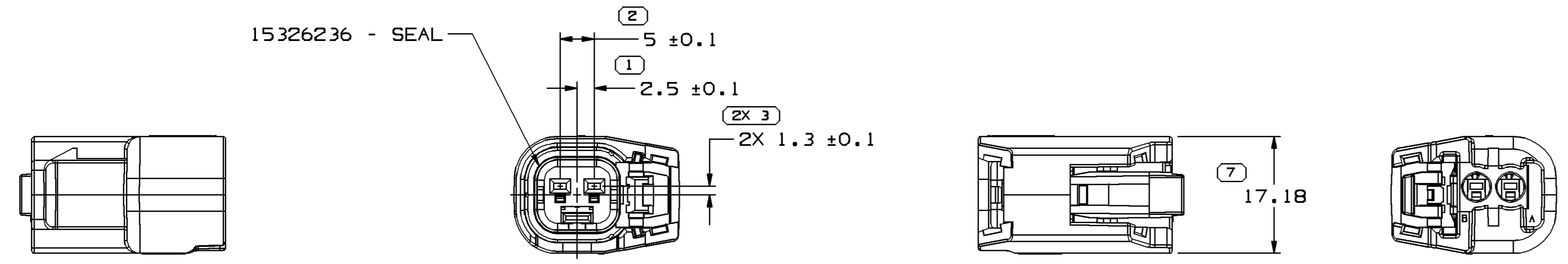
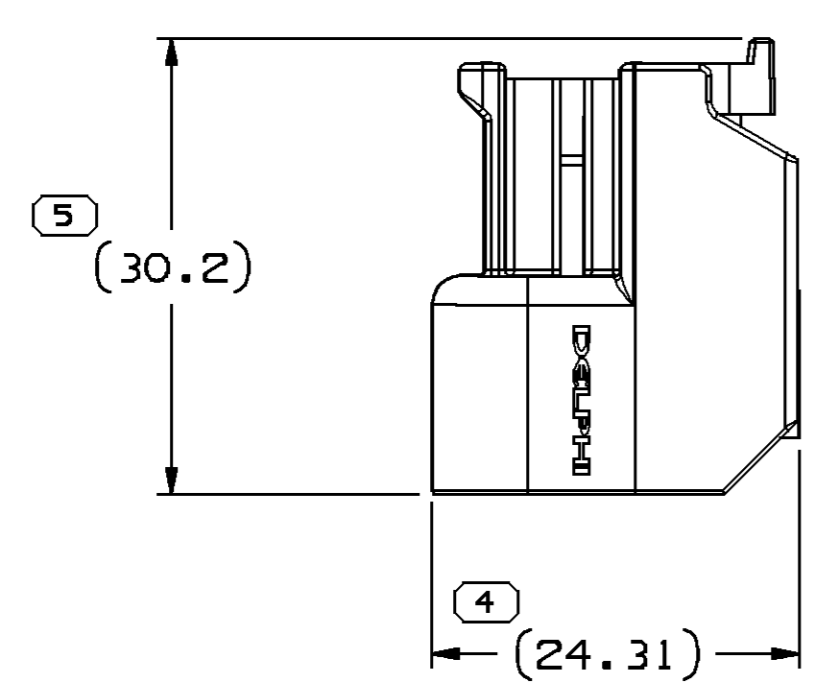
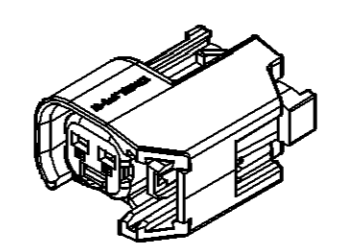


SYMBOL DEFINITION		MISSING SYMBOLS
A DIMENSION WITHOUT AN INSPECTION REPORT SYMBOL () DOES NOT REQUIRE INSPECTION. IT MAY BE CONTROLLED ON THE INDIVIDUAL COMPONENT DRAWING.	TOTAL NO OF INSPECTIONS REQUIRED	NO MISSING SYMBOL NUMBER
	8	
	LAST NO. USED	
	7	

DWG STATUS				ZONE	REVISION HISTORY	AUTH	DR	APVD1	APVD2
DATE	STG	REV	N/P						
01JL04	R	01	-	-	15419715 - WAS SEPARATE DWG; 15497399 - RELEASED	255602	JTZ	JAA	RMF
29MR07	R	02	-	-	15419715 - UPDATED PDM ATTRIBUTES	400957	GLG	JVM	JGS
26JN07	R	03	-	-	ALL PARTS - ADDED NOTE 10	401736	RH	RH	MJD



- NOTES**
- UNLESS OTHERWISE SPECIFIED AND/OR INDICATED:
DIMENSIONS ARE TO FACE OF VIEW SHOWN AND AUTOMATICALLY ROUNDED BY COMPUTER FOR INSPECTION (SEE MATH MODEL FOR PRECISE DIMENSIONS). FOR ALL OTHER DIMENSIONS NOT SHOWN BUT REQUIRED FOR TOOL BUILD, SEE MATH MODEL FOR PRECISE TOOL PATH DATA.
 - SEALING CODE 4 - DESIGN WILL MEET REQUIREMENTS OF SAE/USCAR-2 CONNECTOR SYSTEM ENVIRONMENTAL TEST FLOWCHART (PRESSURE/VACUUM AND SUBMERSION).
 - THIS PART IS NOT CONTROLLED FOR AUTOMATIC FEEDING.
 - REFERENCE MATING COMPONENTS OR EQUIVALENT:
CUSTOMER PART - BOSCH EV6 FUEL INJECTOR (US CAR DESIGN)
CUSTOMER PART - HORN (US CAR DESIGN)
 - THIS PART ACCEPTS THE FOLLOWING COMPONENTS OR EQUIVALENT:
CONNECTOR POSITION ASSURANCE LOCK 15423276
TERMINAL POSITION ASSURANCE LOCK 15423278
 - CAVITIES TO ACCEPT 12191818 TERMINAL WITH 15366021 CABLE SEAL OR EQUIVALENT.
 - PARTS ARE TO BE ASSEMBLED WITH THE SEAL AND RETAINER IN PLACE.
 - PARTS ARE TO BE PACKAGED IN PROTECTIVE CONTAINERS WITH PLASTIC LINING TO AVOID ENTRY OF FOREIGN MATTER.
 - MATING PART CONFIGURATION DRAWING 15354900
 - THIS PRODUCT IS NOT CATEGORIZED AS AN APPEARANCE ITEM, MINOR IMPERFECTIONS INCLUDING, BUT NOT LIMITED TO, FLOW MARKS, COLOR BLEMISHES, GATE VESTIGE, AND SOFT FLASH THAT DO NOT AFFECT THE FIT, FORM, OR FUNCTION OF THE PART ARE PERMISSIBLE PER NAP 4.10-18.



DWG TYPE		PART DRAWING	
STYLE			
VOLUME (C/P)		DISTR CODE	
		D	
UNLESS OTHERWISE SPECIFIED			
THIS DOCUMENT IS IN ACCORDANCE WITH ASME Y14.5M-1994 AS AMENDED BY THE GM GLOBAL DIMENSIONING AND TOLERANCING ADDENDUM-2001. SEPARATE PATTERNS OF FEATURES MAY BE GAGED SEPARATELY REGARDLESS OF DATUM REFERENCES.			
ALL DIMENSIONS ARE IN MILLIMETERS			
REFERENCE			

DELPHI
DELPHI PACKARD ELECTRICAL/ELECTRONIC ARCHITECTURE
WARREN, OH

DR	DATE
APVD1 PABLO TRONCOSO	06JL04
APVD2 J. S. ALVARADO	09JL04
APVD3 R.M. FETCENKO	13JL04
APVD4	
APVD5	

SUBSTANCES OF CONCERN AND RECYCLED CONTENT PER DELPHI 10945001

MATERIAL SEE DRAWING

DRAWING NAME
TAXI ASM CONN F 0T 150 SLD

DRAWING NUMBER
15497398

SIZE	SCALE	FRAME NO	SHEET NO	STG	REV	N/P
A1	2:1	1 OF 1	1 OF 1	R	03	-

15497399	01	AA	15497400	BLK	15423279	15326236
15419715	03	AD	15423275	GRA	15423279	15326236
ASSEMBLY	REV	N/P	CONNECTOR	COLOR	RETAINER	SEAL

DIMENSIONAL RANGE (MM)		CHART ET	
FROM	>	TO	
0	> 20	30	> 70
20	30	70	100
			150
			200
			250
			300
			400
TOLERANCE UNLESS OTHERWISE SPECIFIED			
±0.15	±0.2	±0.3	±0.4
			±0.5
			±0.6
			±0.8
			±1
			±1.2
ANGULAR TOLERANCE ±2°			

THIRD ANGLE PROJECTION

DO NOT SCALE

USE MATH DATA