



AMP | AMP Type III+

TE Internal #: 164160-3

Power Contacts, Contact, Tin, 24 – 20 AWG Wire Size, .2 – .5 mm<sup>2</sup>

Wire Size, Wire & Cable, Crimp, Power & Signal, Pin, AMP Type III+

[View on TE.com >](#)

Connectors > Power Connectors > Power Contacts > TYPE III CONTACTS STRIP



Power Contact Type: **Contact**

Contact Mating Area Plating Material: **Tin**

Wire Size: **.2 – .5 mm<sup>2</sup>**

Connector & Contact Terminates To: **Wire & Cable**

[All TYPE III CONTACTS STRIP \(55\)](#)

## Features

### Product Type Features

Power Contact Type	Contact
Connector & Contact Terminates To	Wire & Cable

### Electrical Characteristics

Test Current	13 A
--------------	------

### Contact Features

Contact Mating Area Plating Material	Tin
Contact Current Rating (Max)	13 A
Contact Type	Pin
Contact Retention Within Housing	With
Mating Pin Diameter	1.57 mm[.062 in]
Contact Base Material	Brass
Contact Mating Area Plating Material Thickness	1.02 μm[40 μin]
Contact Mating Area Plating Material Finish	Bright
Wire Contact Termination Area Plating Thickness	1.02 μm[40 μin]



Wire Contact Termination Area Plating Material	Tin
--	-----

Wire Contact Termination Area Plating Material Finish	Bright
---	--------

Contact Orientation	Straight
---------------------	----------

Contact Underplating Material	Nickel
-------------------------------	--------

Contact Underplating Material Thickness	1.27 μm[50 μin]
---	-----------------

Contact Size	16
--------------	----

### Termination Features

Termination Method to Wire & Cable	Crimp
------------------------------------	-------

### Mechanical Attachment

Wire Insulation Support	With
-------------------------	------

### Dimensions

Wire Size	.2 – .5 mm <sup>2</sup>
-----------	-------------------------

Accepts Wire Insulation Diameter Range	1.1 – 1.8 mm[.043 – .07 in]
--	-----------------------------

### Usage Conditions

Operating Temperature Range	-55 – 90 °C[-67 – 194 °F]
-----------------------------	---------------------------

### Operation/Application

Circuit Application	Power & Signal
---------------------	----------------

### Packaging Features

Packaging Method	Reel
------------------	------

Packaging Quantity	200
--------------------	-----

### Other

Wire Type	Regular Wire
-----------	--------------

For Use With	CPC Connectors
--------------	----------------

Comment	Leading Pin (1.8mm longer than standard pins), Overall insulation crimp diameter, including crimp barrel, must not exceed 3.18 [.125].
---------	--

### Product Compliance

[For compliance documentation, visit the product page on TE.com>](#)

EU RoHS Directive 2011/65/EU	Compliant
------------------------------	-----------

EU ELV Directive 2000/53/EC	Compliant
-----------------------------	-----------

China RoHS 2 Directive MIIT Order No 32, 2016	No Restricted Materials Above Threshold
---	---

EU REACH Regulation (EC) No. 1907/2006

Current ECHA Candidate List: JUNE 2022 (224)

Candidate List Declared Against: JAN 2022 (223)

SVHC > Threshold:  
Not Yet Reviewed

Halogen Content

Low Halogen - Br, Cl, F, I < 900 ppm per homogenous material. Also BFR/CFR/PVC Free

Solder Process Capability

Not applicable for solder process capability

Product Compliance Disclaimer

This information is provided based on reasonable inquiry of our suppliers and represents our current actual knowledge based on the information they provided. This information is subject to change. The part numbers that TE has identified as EU RoHS compliant have a maximum concentration of 0.1% by weight in homogenous materials for lead, hexavalent chromium, mercury, PBB, PBDE, DBP, BBP, DEHP, DIBP, and 0.01% for cadmium, or qualify for an exemption to these limits as defined in the Annexes of Directive 2011/65/EU (RoHS2). Finished electrical and electronic equipment products will be CE marked as required by Directive 2011/65/EU. Components may not be CE marked. Additionally, the part numbers that TE has identified as EU ELV compliant have a maximum concentration of 0.1% by weight in homogenous materials for lead, hexavalent chromium, and mercury, and 0.01% for cadmium, or qualify for an exemption to these limits as defined in the Annexes of Directive 2000/53/EC (ELV). Regarding the REACH Regulation, the information TE provides on SVHC in articles for this part number is based on the latest European Chemicals Agency (ECHA) 'Guidance on requirements for substances in articles' posted at this URL: <https://echa.europa.eu/guidance-documents/guidance-on-reach>

## Compatible Parts



TE Part # CAT-AM71-C83998C  
CMC SERIES 1



TE Part # CAT-AM71-C83998Y  
CPC SERIES 1 SEALED ONE-PIECE



TE Part # CAT-AM71-C83998J  
CPC SERIES 1



TE Part # CAT-AM71-C83998K  
CPC SERIES 6



TE Part # 58495-2  
PROCRIMPER DIE ASSY MULTIMATE



TE Part # 91505-1  
CCII TYPE III+ 24-16 ASSY



TE Part # 200893-2  
INSERTION TOOL CONT



TE Part # 58495-1  
PRO CRIMPER ASSY MULTIMATE

TE Part # 539972-1  
EXTRACTION TOOL

TE Part # 305183  
EXTRACT TOOL TYPE 2 20-16

TE Part # 2305570-1  
TERMINAL CUTTER, SIDE FEED

TE Part # 2151016-2  
OCEAN\_2.0\_APPLICATION-S-062F0900A

TE Part # 2-2151016-1  
OCEAN\_2.0\_APPLICATION-S-062F0900

TE Part # 2-2151016-2  
OCEAN\_2.0\_APPLICATION-S-062F0900A

TE Part # 2151016-1  
OCEAN\_2.0\_APPLICATION-S-062F0900

TE Part # 2384426-2  
SDE F TYPE III+ 0.56-0.12mm<sup>2</sup> DIE SET

TE Part # 5-2151016-1  
OCEAN\_2.0\_APPLICATION-S-062F0900

TE Part # 5-2151016-2  
OCEAN\_2.0\_APPLICATION-S-062F0900A

TE Part # 7-2151016-1  
OCEAN\_2.0\_APPLICATION-S-062F0900

TE Part # 7-2151016-2  
OCEAN\_2.0\_APPLICATION-S-062F0900A

Also in the Series | AMP Type III+

Insertion & Extraction Tools(4)

Power Contacts(414)

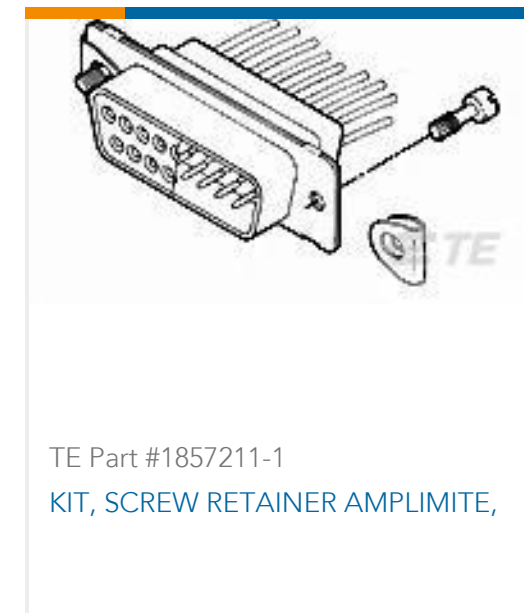
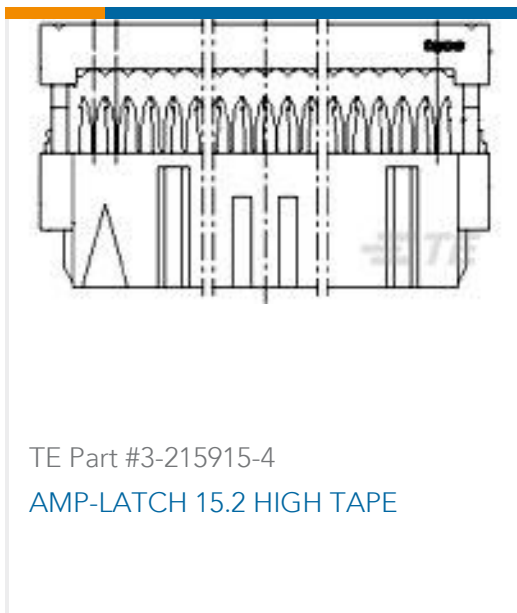
Customers Also Bought

TE Part #1658608-3  
15 POS HDF PLUG, MS, LEAD FREE

TE Part #5499160-4  
AMP-LATCH UNIVERSAL HEADERS

TE Part #9-1393211-0  
T92S11D12-24

TE Part #4-1462000-8  
C93422=MT Relay 400 mW 5 V



## Documents

### Product Drawings

#### M-SRS PIN ASSY 3+

English

### CAD Files

#### 3D PDF

3D

#### Customer View Model

[ENG\\_CVM\\_CVM\\_164160-3\\_P.2d\\_dxf.zip](#)

English

#### Customer View Model

[ENG\\_CVM\\_CVM\\_164160-3\\_P.3d\\_igs.zip](#)

English

#### Customer View Model

[ENG\\_CVM\\_CVM\\_164160-3\\_P.3d\\_stp.zip](#)

English

By downloading the CAD file I accept and agree to the [Terms and Conditions](#) of use.

### Datasheets & Catalog Pages

#### AMP Circular Connectors for Commercial Signal & Power Applications

English

#### Signal Contacts

English

#### M\_SERIES\_PIN\_AND\_SOCKET\_CONNECTORS

English

### Product Specifications

#### Application Specification

English

### Product Environmental Compliance

#### Product Compliance

English

#### Product Compliance

English

164160-3

Power Contacts, Contact, Tin, 24 – 20 AWG Wire Size, .2 – .5 mm<sup>2</sup> Wire Size, Wire & Cable, Crimp, Power & Signal, Pin, AMP Type III+

