



TE Internal #: 160018-2

Ring Terminals & Spade Terminals, Ring Tongue, 20 – 16 AWG

Wire Size, .5 – 1 mm² Wire Size, 1021 – 2582 CMA Wire Size, Stud Size M4 / #8

[View on TE.com >](#)

Terminals & Splices > Ring Terminals & Spade Terminals



Ring & Spade Terminal Type: **Ring Tongue**

Wire Size: **1021 – 2582 CMA**

Stud Size: **#8, M4**

Features

Product Type Features

Shape Description	Circular/Oval
Stud Size	#8, M4
Sealable	No
Compatible With Discrete Wire Type	Stranded
Wire Insulation Support Retention Type	Insulation Support

Configuration Features

Number of Holes	1
Terminal Angle	180 °

Body Features

Weight per Piece	.808 g
------------------	--------

Contact Features

Contact Base Material	Brass
Ring & Spade Terminal Type	Ring Tongue
Barrel Type	Open
Terminal Orientation	Straight
Terminal Plating Material	Tin



Contact Underplating Material	None
-------------------------------	------

Mechanical Attachment

Wire Insulation Support	With
-------------------------	------

Dimensions

	.07 in
Wire Size	1021 – 2582 CMA
Stud Diameter	4.2 mm[.165 in]
Tongue Thickness	.76 mm[.03 in]
Overall Product Length	12.45 mm[.49 in]
Barrel Inside Diameter	1.9 mm, 2.15 mm[.075 in][.085 in]
Accepts Wire Insulation Diameter (Max)	2.29 mm[.09 in]
Accepts Wire Insulation Diameter Range	1.8 – 2.3 mm[.07 – .09 in]

Usage Conditions

Insulation Option	Uninsulated
Operating Temperature Range	-40 – 110 °C[-40 – 230 °F]

Operation/Application

Compatible With Wire Base Material	Copper
Heavy Duty	No

Industry Standards

Government Qualified	No
----------------------	----

Packaging Features

Packaging Quantity	15000
Packaging Method	Strip/Reel

Product Compliance

[For compliance documentation, visit the product page on TE.com>](#)

EU RoHS Directive 2011/65/EU	Compliant
EU ELV Directive 2000/53/EC	Compliant
China RoHS 2 Directive MIIT Order No 32, 2016	No Restricted Materials Above Threshold
EU REACH Regulation (EC) No. 1907/2006	Current ECHA Candidate List: JUNE 2022 (224) Candidate List Declared Against: JAN 2022 (223)

SVHC > Threshold:
Not Yet Reviewed

Halogen Content

Low Halogen - Br, Cl, F, I < 900 ppm per homogenous material. Also BFR/CFR/PVC Free

Solder Process Capability

Not applicable for solder process capability

Product Compliance Disclaimer

This information is provided based on reasonable inquiry of our suppliers and represents our current actual knowledge based on the information they provided. This information is subject to change. The part numbers that TE has identified as EU RoHS compliant have a maximum concentration of 0.1% by weight in homogenous materials for lead, hexavalent chromium, mercury, PBB, PBDE, DBP, BBP, DEHP, DIBP, and 0.01% for cadmium, or qualify for an exemption to these limits as defined in the Annexes of Directive 2011/65/EU (RoHS2). Finished electrical and electronic equipment products will be CE marked as required by Directive 2011/65/EU. Components may not be CE marked. Additionally, the part numbers that TE has identified as EU ELV compliant have a maximum concentration of 0.1% by weight in homogenous materials for lead, hexavalent chromium, and mercury, and 0.01% for cadmium, or qualify for an exemption to these limits as defined in the Annexes of Directive 2000/53/EC (ELV). Regarding the REACH Regulation, the information TE provides on SVHC in articles for this part number is based on the latest European Chemicals Agency (ECHA) 'Guidance on requirements for substances in articles' posted at this URL: <https://echa.europa.eu/guidance-documents/guidance-on-reach>

Compatible Parts



TE Part # 160548-2
RING TONGUE 22-20 AWG .0120 X .290 PTPBR



TE Part # 2-4150044-1
OCEAN-2.0-APPLICATOR-E-120F1200



TE Part # 2-4150044-2
OCEAN-2.0-APPLICATOR-E-120F1200



TE Part # 4150044-1
OCEAN_2.0-APPLICATOR-E-120F1200



TE Part # 7-4150044-1
OCEAN-2.0-APPLICATOR-E-120F1200



TE Part # 7-4150044-2
OCEAN-2.0-APPLICATOR-E-120F1200



KIT
REPRESENTATION ONLY

TE Part # 7-4150044-7
OCEAN_2.0_SPARE_PART_KIT-120F1200



TE Part # 4150044-2
OCEAN_2.0-APPLICATOR-E-120F1200

Customers Also Bought



TE Part #5-160555-2
110 FASTON REC 20-18 AWG TPBR



TE Part #154718-1
250 PL MKI REC. 18-14AWG BR



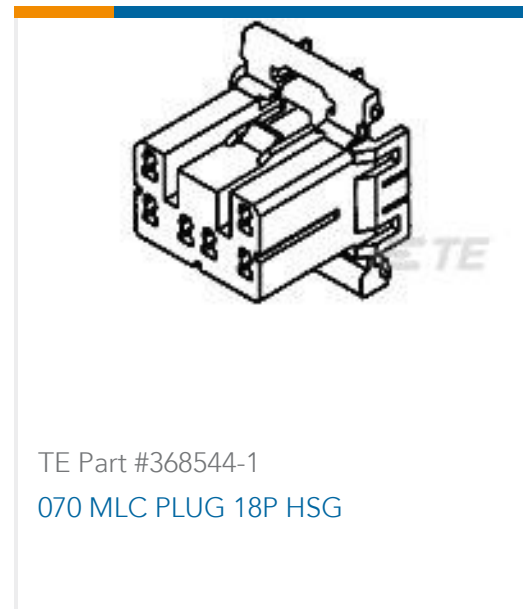
TE Part #3-1879073-0
THS10 68R 5%



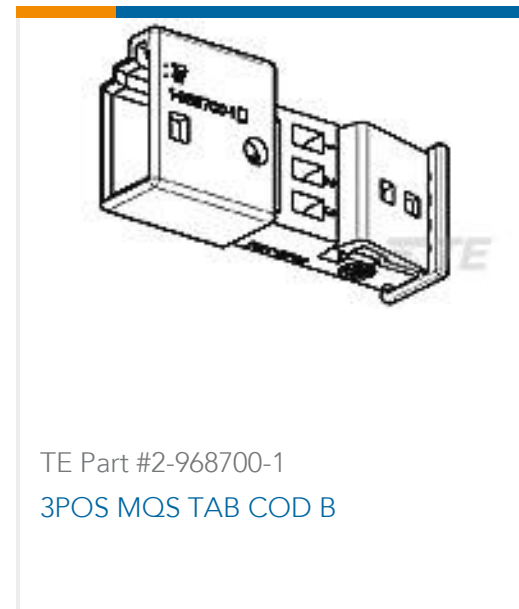
TE Part #962938-1
MPT REC 9.5 Contact SWS Sn



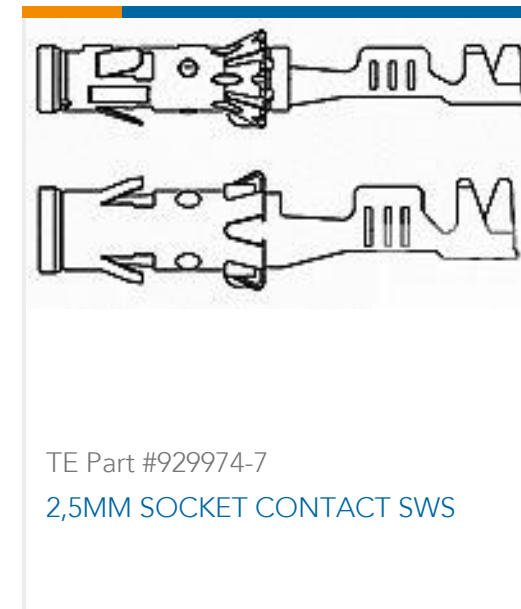
TE Part #W2PC
WEDGE LOCK, 2P, REC, GRN, DT, C



TE Part #368544-1
070 MLC PLUG 18P HSG



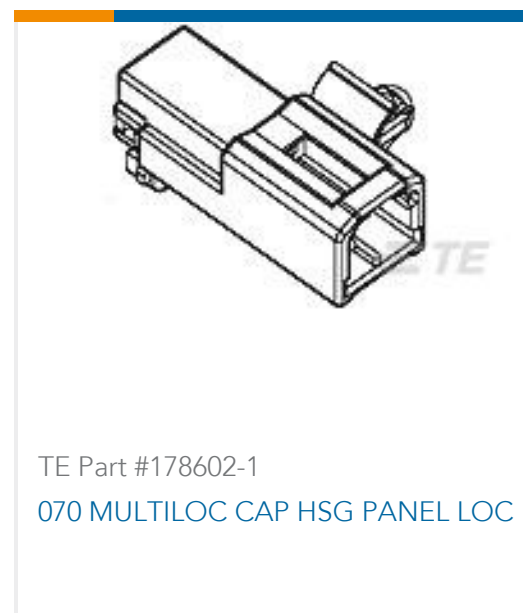
TE Part #2-968700-1
3POS MQS TAB COD B



TE Part #929974-7
2,5MM SOCKET CONTACT SWS



TE Part #3-644464-5
05P MTA156 CONN ASSY 24AWG LF



TE Part #178602-1
070 MULTILOC CAP HSG PANEL LOC

Documents

Product Drawings

[RING TONGUE 176 20-16 AWG 0.251 NIBR](#)

English

CAD Files

[3D PDF](#)

3D

Customer View Model

[ENG_CVM_CVM_160018-2_T.2d_dxf.zip](#)

English

Customer View Model

[ENG_CVM_CVM_160018-2_T.3d_igs.zip](#)

English

Customer View Model

[ENG_CVM_CVM_160018-2_T.3d_stp.zip](#)

English

By downloading the CAD file I accept and agree to the [Terms and Conditions](#) of use.

Product Specifications



[Application Specification](#)

English

[Application Specification](#)

English

[Product Environmental Compliance](#)

[Product Compliance](#)

English

[Product Compliance](#)

English