

THIS DRAWING AND DESIGN HEREON
CONSTITUTES A PROPRIETARY DESIGN
OF PACKARD ELECTRIC DIVISION AND
IS NOT TO BE DUPLICATED OR RE-
PRODUCED WITHOUT AUTHORITY OF
PACKARD ELECTRIC DIVISION.

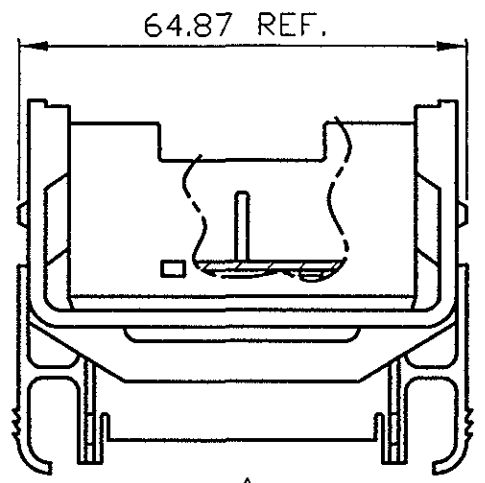
DO NOT SCALE

15368761	33.57	GRA	15358705
15368760	37.07	BLK	15358702
PART N°	DIM. A (mm)	COLOR POS.1<Body>	MATING CONNECTOR

DATE	SYM	REVISION RECORD	AUTH	DR	CK
30JL99	A	P CREATION DRAWING	990012	AM	ASG
03SE99	B	MODIFY PART NUMBERS 15368760 WAS P2900012; 15368761 WAS P2900013	990007	AM	ASG

ORIGINAL

REGISTRADO
14 SET 1999



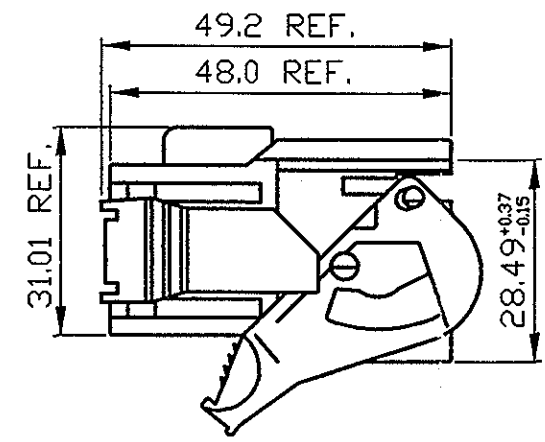
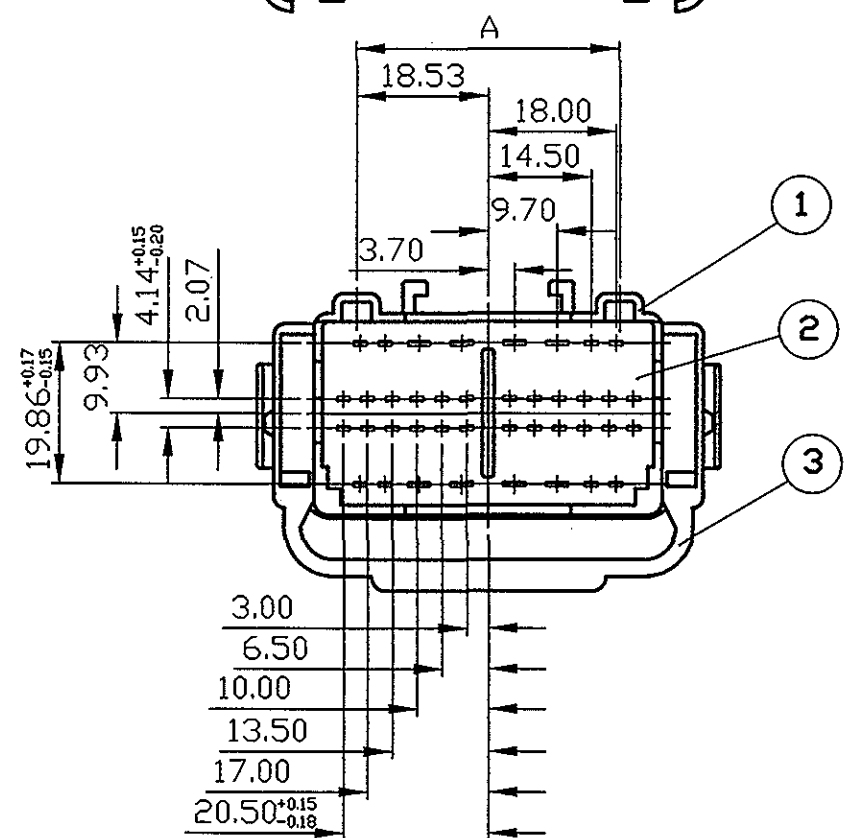
NOTES:

- 1-Mating Components:
Secondary Terminal Lock (TPA) 15304841 or equivalent
- 2-Material and Color:
POS.1-(Body) PA66 HS IM BLK and GRA
POS.2-(Stabilizer) PA66 HS IM Natural
POS.3-(Handle CPA Cam Lever) PA66 GF HS IM Natural
- 3-Marks:
Tool Cavity Identification, Material Identification,
Supplier Identification, Date marker and Terminal Cavity Identification.
- 4-Dimensions marked REF are for reference only and no
tolerance limits are established.

CÓPIA
CONTROLADA
ENGENHARIA

Outline Drawing

CAD	FIRST ANGLE PROJECTION
FILE N° 15368760P.DWG	
CODE N° 6900	METRIC
DWG DATE 30JL99	DIMENSIONS ARE IN MILLIMETERS UNLESS OTHERWISE SPECIFIED
SCALE	DES AILTON <i>Alton</i>
REFERENCE N°	DR AILTON <i>Alton</i>
	CK GROPPD <i>Groppd</i>
	APPR J.PUPD <i>J.PUPD</i>
	VOL CM3
MATERIAL SPEC SEE NOTE 2	
NAME ASM CONN 40M GT150, 280	
PART NUMBER 15368760	SIZE A3



TOLERANCE UNLESS
OTHERWISE SPECIFIED
DECIMAL: ANGULAR: ±2°
ONE PLACE ±0.3
TWO PLACE ±0.15

DELPHI AUTOMOTIVE SYSTEMS
PACKARD ELECTRIC SYSTEMS
JAMBEIRO, SP - BRAZIL