

1534238-1 ✓ ACTIVE

AMP | LEAVYSEAL

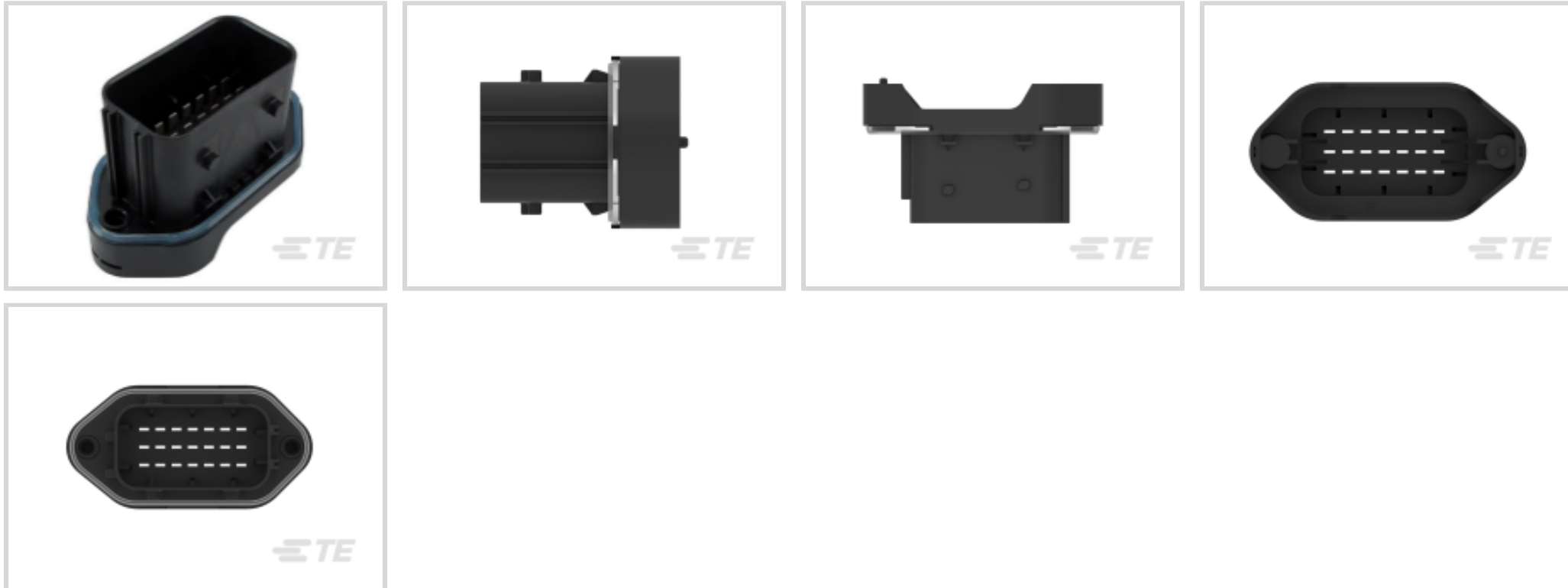
TE Internal #: 1534238-1

PCB Mount Header, Vertical, Wire-to-Board, 21 Position, .197 in [5 mm] Centerline, Fully Shrouded, Silver (Ag), Through Hole - Solder, LEAVYSEAL

[View on TE.com >](#)



Connectors > PCB Connectors > PCB Headers & Receptacles > LEAVYSEAL HEADERS



Connector System: **Wire-to-Board**

Number of Positions: **21**

Centerline (Pitch): **5 mm [ .197 in ]**

Sealable: **Yes**

PCB Mount Orientation: **Vertical**

[All LEAVYSEAL HEADERS \(13\)](#)

## Features

### Product Type Features

Hybrid Header	No
Connector & Housing Shape	Rectangular
PCB Connector Assembly Type	PCB Mount Header
Header Type	Fully Shrouded
Connector System	Wire-to-Board
Sealable	Yes
Connector & Contact Terminates To	Printed Circuit Board

### Configuration Features

Number of Positions	21
PCB Mount Orientation	Vertical
Number of Rows	3

### Electrical Characteristics



Nominal Voltage Architecture	12 V, 24 V
------------------------------	------------

Operating Voltage	28 VDC
-------------------	--------

### Body Features

Primary Product Color	Black
-----------------------	-------

### Contact Features

Contact Size	3mm
--------------	-----

Contact Type	Tab
--------------	-----

Mating Tab Width	2.8 mm[.11 in]
------------------	----------------

Mating Tab Thickness	.8 mm[.031 in]
----------------------	----------------

Contact Mating Area Plating Material	Silver (Ag)
--------------------------------------	-------------

### Termination Features

Termination Method to Printed Circuit Board	Through Hole - Solder
---	-----------------------

### Mechanical Attachment

Mounting Holes	With
----------------	------

Mating Alignment Type	Polarization Rib
-----------------------	------------------

Mating Alignment	With
------------------	------

PCB Mount Alignment	Without
---------------------	---------

Panel Mount Feature	Without
---------------------	---------

PCB Mount Retention	With
---------------------	------

PCB Mount Retention Type	Boardlock
--------------------------	-----------

Connector Mounting Type	Board Mount
-------------------------	-------------

### Housing Features

Centerline (Pitch)	5 mm[.197 in]
--------------------	---------------

### Dimensions

Connector Length	76 mm[2.992 in]
------------------	-----------------

Connector Width	38 mm[1.482 in]
-----------------	-----------------

Profile Height from PCB	42.45 mm[1.671 in]
-------------------------	--------------------

### Usage Conditions

Operating Temperature (Max)	65 °C, 70 °C, 75 °C, 80 °C, 85 °C, 90 °C, 100 °C, 105 °C, 110 °C, 120 °C[149 °F][158 °F][167 °F][176 °F][185 °F][194 °F][212 °F][221 °F][230 °F][248 °F]
-----------------------------	--

Operating Temperature Range	-40 – 120 °C[-40 – 248 °F]
-----------------------------	----------------------------



### Operation/Application

Shielded	No
Circuit Application	Signal

### Industry Standards

Degree of Protection	IP67, IP69K
UL Flammability Rating	UL 94HB

### Packaging Features

Packaging Type	Loose Piece
Packaging Quantity	105

### Product Compliance

[For compliance documentation, visit the product page on TE.com>](#)

EU RoHS Directive 2011/65/EU	Compliant
EU ELV Directive 2000/53/EC	Compliant
China RoHS 2 Directive MIIT Order No 32, 2016	No Restricted Materials Above Threshold
EU REACH Regulation (EC) No. 1907/2006	Current ECHA Candidate List: JUNE 2022 (224) Candidate List Declared Against: JUL 2021 (219) SVHC > Threshold: Not Yet Reviewed
Halogen Content	Low Halogen - Br, Cl, F, I < 900 ppm per homogenous material. Also BFR/CFR/PVC Free
Solder Process Capability	Not applicable for solder process capability


#### Product Compliance Disclaimer

This information is provided based on reasonable inquiry of our suppliers and represents our current actual knowledge based on the information they provided. This information is subject to change. The part numbers that TE has identified as EU RoHS compliant have a maximum concentration of 0.1% by weight in homogenous materials for lead, hexavalent chromium, mercury, PBB, PBDE, DBP, BBP, DEHP, DIBP, and 0.01% for cadmium, or qualify for an exemption to these limits as defined in the Annexes of Directive 2011/65/EU (RoHS2). Finished electrical and electronic equipment products will be CE marked as required by Directive 2011/65/EU. Components may not be CE marked. Additionally, the part numbers that TE has identified as EU ELV compliant have a maximum concentration of 0.1% by weight in homogenous materials for lead, hexavalent chromium, and mercury, and 0.01% for cadmium, or qualify for an exemption to these limits as defined in the Annexes of Directive 2000/53/EC (ELV). Regarding the REACH Regulation, the information TE provides on SVHC in articles for this part number is based on the latest European Chemicals Agency (ECHA) 'Guidance on requirements for substances in articles' posted at this URL: <https://echa.europa.eu/guidance-documents/guidance-on-reach>

## Compatible Parts




TE Part # 828905-1  
SINGLE-WIRE-SEAL(5MM HOLE)



TE Part # CAT-L489-CH8172  
LEAVYSEAL HOUSINGS



TE Part # CAT-T4827-T273  
TIMER, RECEPTACLE AND TAB

TE Part # 1801286-1  
9W SEALED CONNECTOR FOR MCP CONTACT




TE Part # 828904-1  
SINGLE WIRE SEAL FOR J.P.T.CON


Also in the Series | **LEAVYSEAL**




Automotive Connector Caps & Covers (16)



Automotive Housings(64)



Insertion & Extraction Tools(5)



Other Automotive Connector Accessories(15)



PCB Headers & Receptacles(13)

Customers Also Bought



TE Part #8-215464-4  
14P.MICRO-MATCH MOB



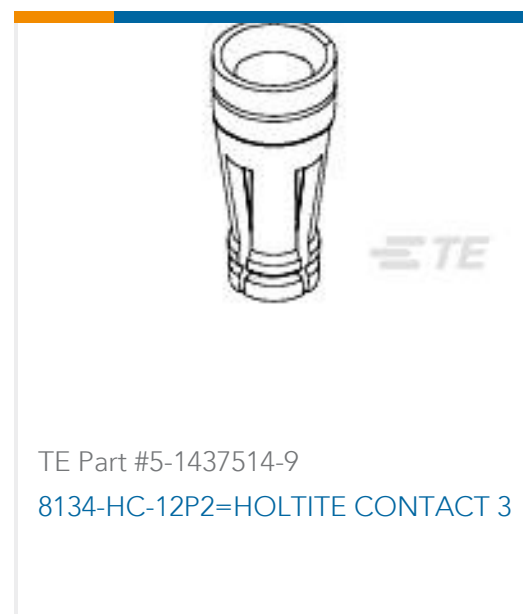
TE Part #5536507-3  
2MM FB,ASY,0%,SIG,REC,SL,2.73



TE Part #5536507-2  
2MM FB,ASY,048,SIG,REC,SL,2.73



TE Part #8-215460-4  
MICR-MATCH FSID P



## Documents

### Product Drawings

#### MESSERLEISTE 21P

English

### CAD Files

#### 3D PDF

3D

#### Customer View Model

[ENG\\_CVM\\_CVM\\_1534238-1\\_F.2d\\_dxf.zip](#)

English

#### Customer View Model

[ENG\\_CVM\\_CVM\\_1534238-1\\_F.3d\\_igs.zip](#)

English

#### Customer View Model

[ENG\\_CVM\\_CVM\\_1534238-1\\_F.3d\\_stp.zip](#)

English

By downloading the CAD file I accept and agree to the [Terms and Conditions](#) of use.

### Datasheets & Catalog Pages

#### ICT Terminals and Connectors Catalogue

English

#### CONNECTOR SELECTOR

English

### Product Specifications

#### Product Specification

English

1534238-1

PCB Mount Header, Vertical, Wire-to-Board, 21 Position, .197 in [5 mm] Centerline,  
Fully Shrouded, Silver (Ag), Through Hole - Solder, LEAVYSEAL

