

1587834-1 ✓ ACTIVE



IPT / APT

TE Internal #: 1587834-1

2 Position, .472 in [12 mm] Centerline, Sealable, Other, Panel

Mount, IPT / APT

[View on TE.com >](#)

Connectors > Automotive Connectors > Connector Housings



Number of Positions: 2

Centerline (Pitch): 12 mm [.472 in]

Sealable: **Yes**

Hybrid Connector: **No**

Primary Locking Feature: **Integrated in Housing**

Features

Product Type Features

Connector & Housing Shape	Rectangular
Sealable	Yes
Hybrid Connector	No
Primary Locking Feature	Integrated in Housing

Configuration Features

Number of Positions	2
---------------------	---

Body Features

Cable Exit Angle	180°
Body Material	Other
Primary Product Color	Other

Mechanical Attachment

Mounting Feature	Without
Terminal Position Assurance	No
Strain Relief	Without



Mating Alignment Type	Polarized
Mating Alignment	With
Connector Mounting Type	Panel Mount

Housing Features

Centerline (Pitch)	12 mm [.472 in]
--------------------	-----------------

Dimensions

Product Width	52.5 mm [2.06 in]
Product Length	12 mm [.472 in]
Product Height	22.4 mm [.881 in]

Packaging Features

Packaging Quantity	200
Packaging Method	Box

Other

Serviceable	No
Connector Position Assurance Capable	No

Product Compliance

[For compliance documentation, visit the product page on TE.com>](#)

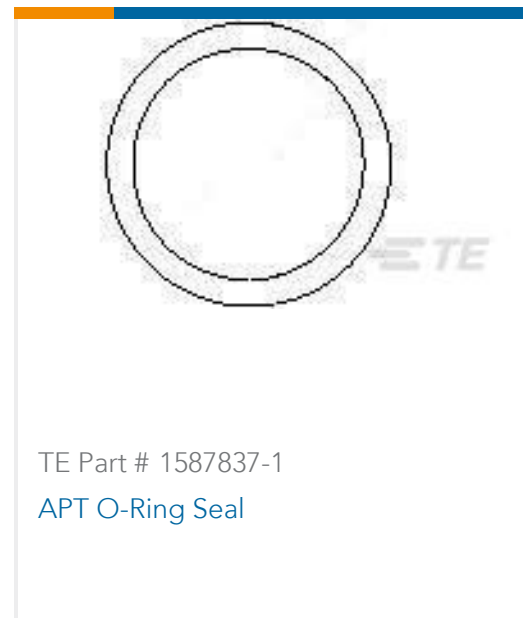
EU RoHS Directive 2011/65/EU	Compliant
EU ELV Directive 2000/53/EC	Compliant
China RoHS 2 Directive MIIT Order No 32, 2016	No Restricted Materials Above Threshold
EU REACH Regulation (EC) No. 1907/2006	Current ECHA Candidate List: JUNE 2022 (224) Candidate List Declared Against: JAN 2022 (223) SVHC > Threshold: Not Yet Reviewed
Halogen Content	Low Halogen - Br, Cl, F, I < 900 ppm per homogenous material. Also BFR/CFR/PVC Free
Solder Process Capability	Not applicable for solder process capability

Product Compliance Disclaimer

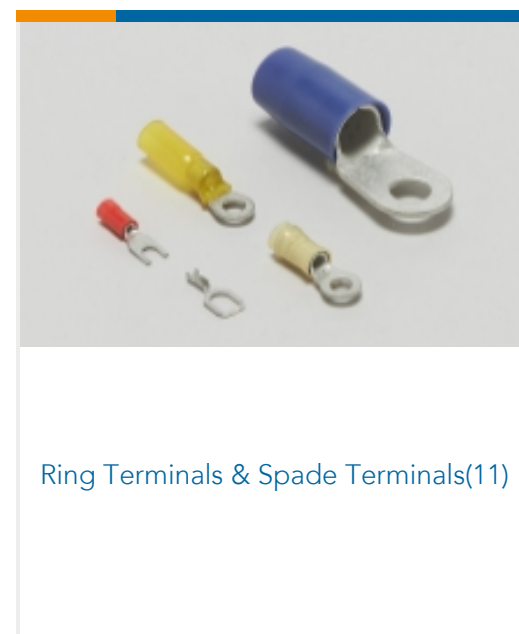
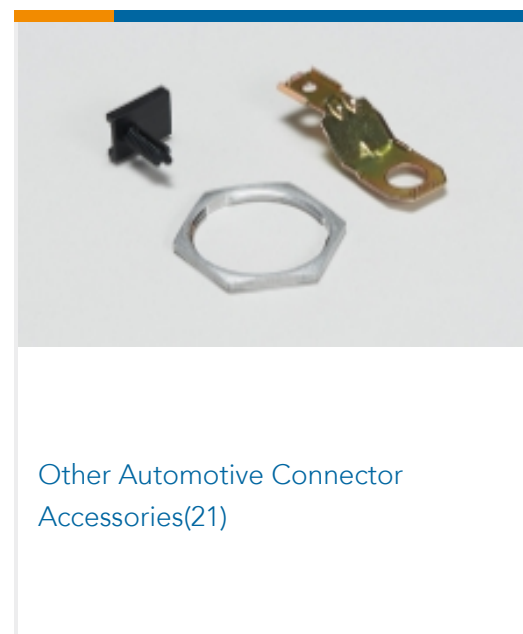
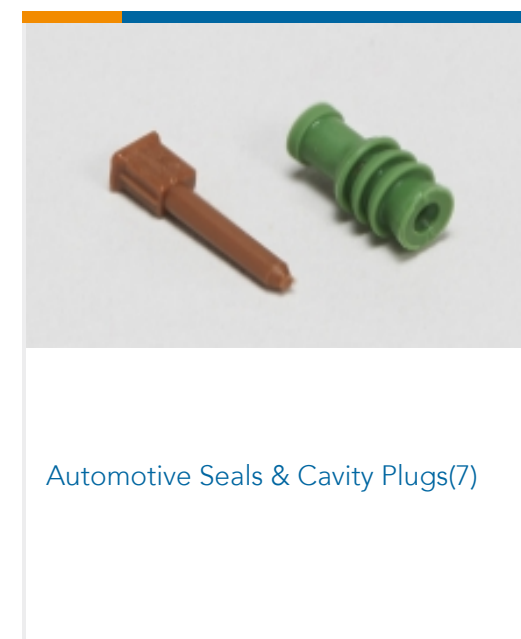
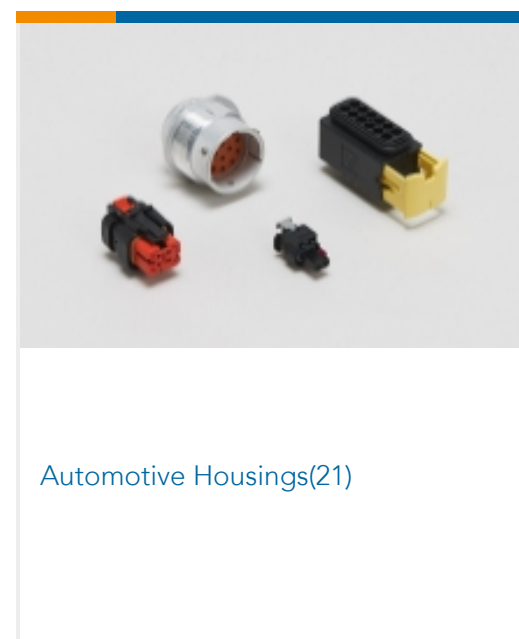
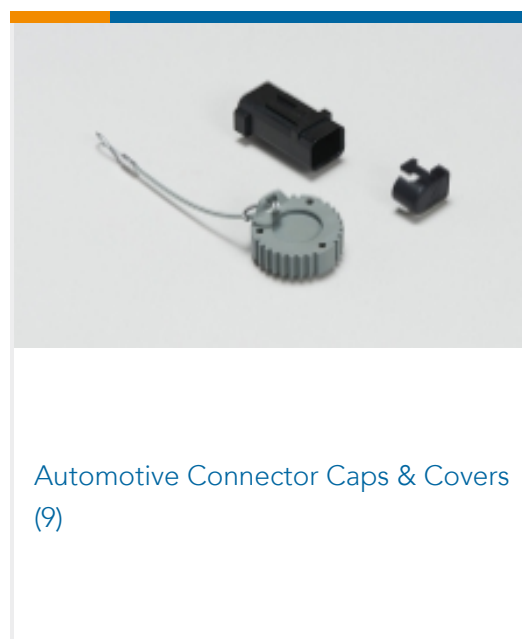
This information is provided based on reasonable inquiry of our suppliers and represents our current actual knowledge based on the information they provided. This information is subject to change. The part numbers that TE has identified as EU RoHS compliant have a maximum concentration of 0.1% by weight in homogenous materials for lead, hexavalent chromium, mercury, PBB, PBDE, DBP, BBP, DEHP, DIBP, and 0.01% for cadmium, or qualify for an exemption to these limits as defined in the Annexes of Directive 2011/65/EU (RoHS2). Finished electrical and electronic equipment products

will be CE marked as required by Directive 2011/65/EU. Components may not be CE marked. Additionally, the part numbers that TE has identified as EU ELV compliant have a maximum concentration of 0.1% by weight in homogenous materials for lead, hexavalent chromium, and mercury, and 0.01% for cadmium, or qualify for an exemption to these limits as defined in the Annexes of Directive 2000/53/EC (ELV). Regarding the REACH Regulation, the information TE provides on SVHC in articles for this part number is based on the latest European Chemicals Agency (ECHA) 'Guidance on requirements for substances in articles' posted at this URL: <https://echa.europa.eu/guidance-documents/guidance-on-reach>

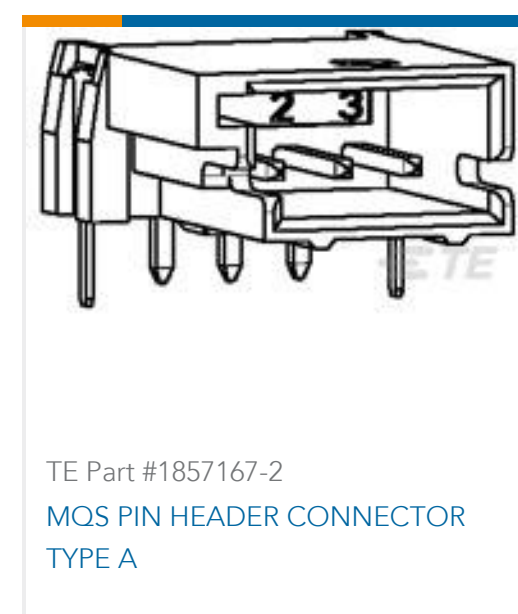
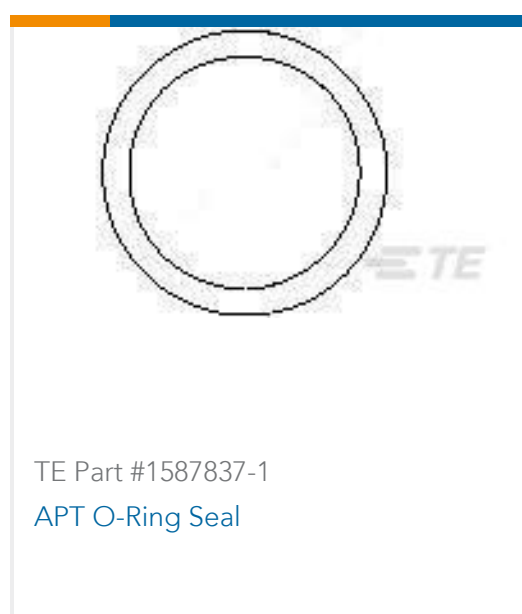
Compatible Parts



Also in the Series | IPT / APT



Customers Also Bought



Documents

Product Drawings

APT Housing

English

CAD Files

Customer View Model

[ENG_CVM_CVM_1587834-1_A.2d_dxf.zip](#)

English

3D PDF

3D

Customer View Model

[ENG_CVM_CVM_1587834-1_A.3d_igs.zip](#)

English

Customer View Model

[ENG_CVM_CVM_1587834-1_A.3d_stp.zip](#)

English

By downloading the CAD file I accept and agree to the [Terms and Conditions](#) of use.

Datasheets & Catalog Pages

HEMS Product Overview

English

Instruction Sheets

Instruction Sheet (U.S.)

English

Instruction Sheet (U.S.)

English

1587834-1

2 Position, .472 in [12 mm] Centerline, Sealable, Other, Panel Mount, IPT / APT

