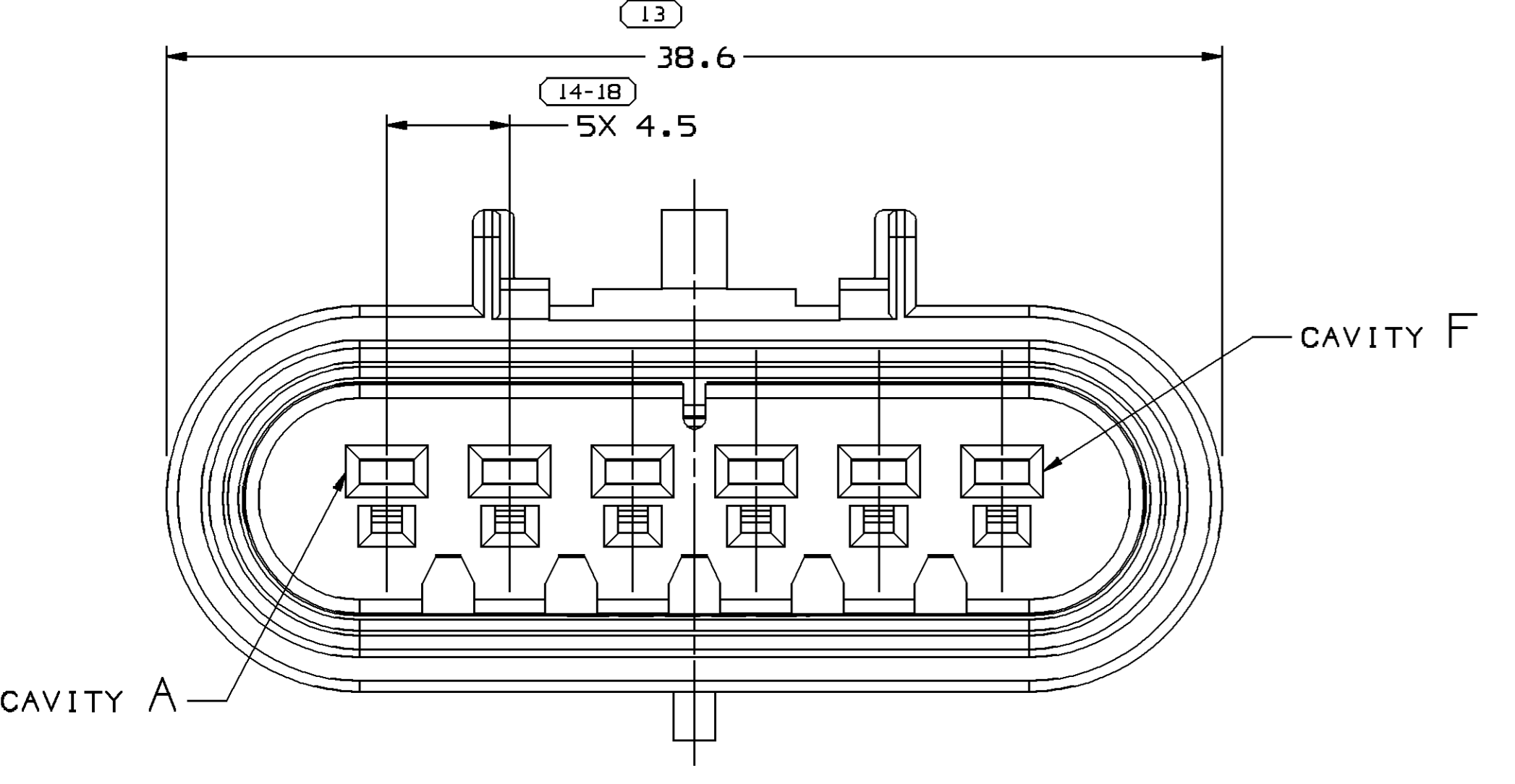
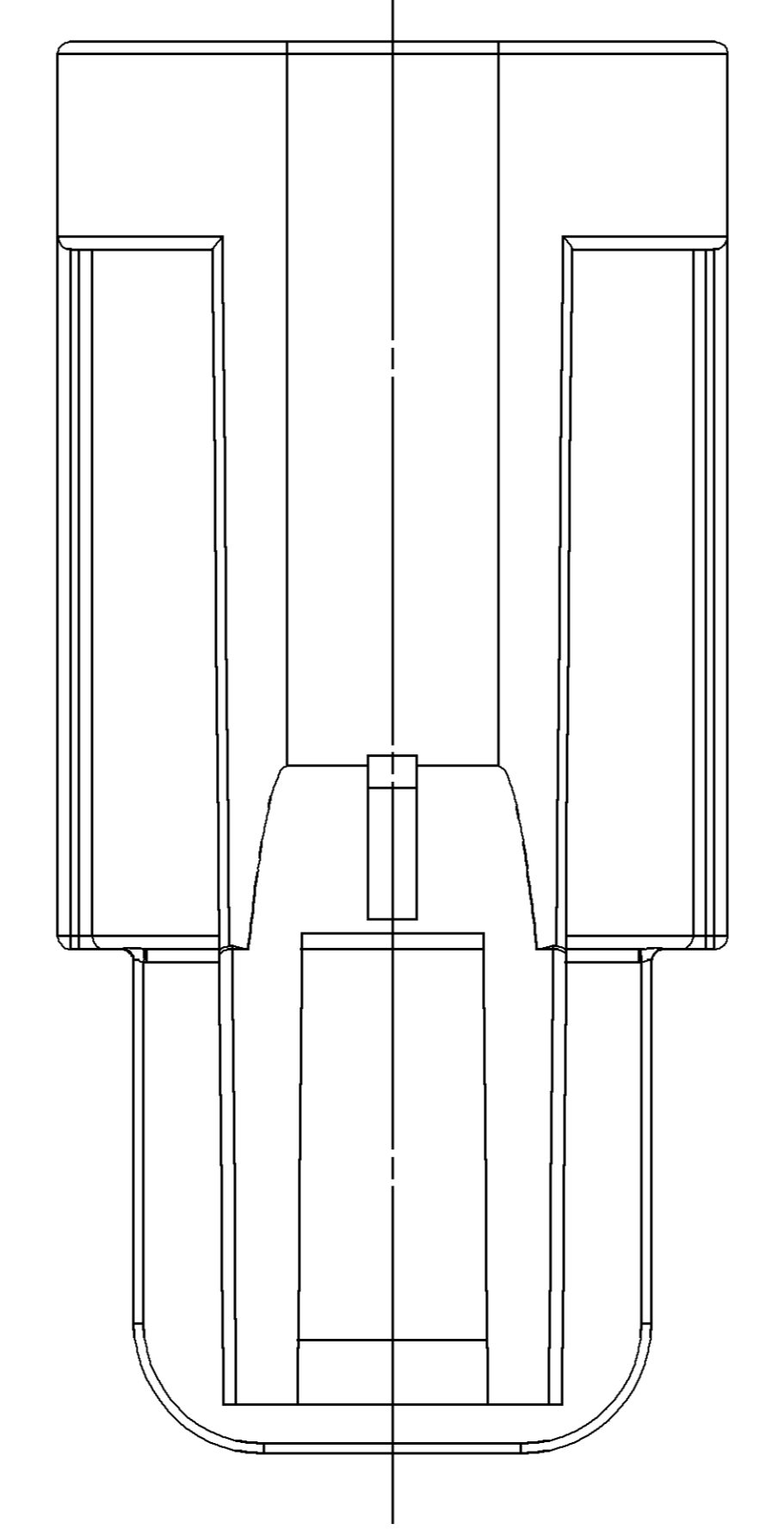
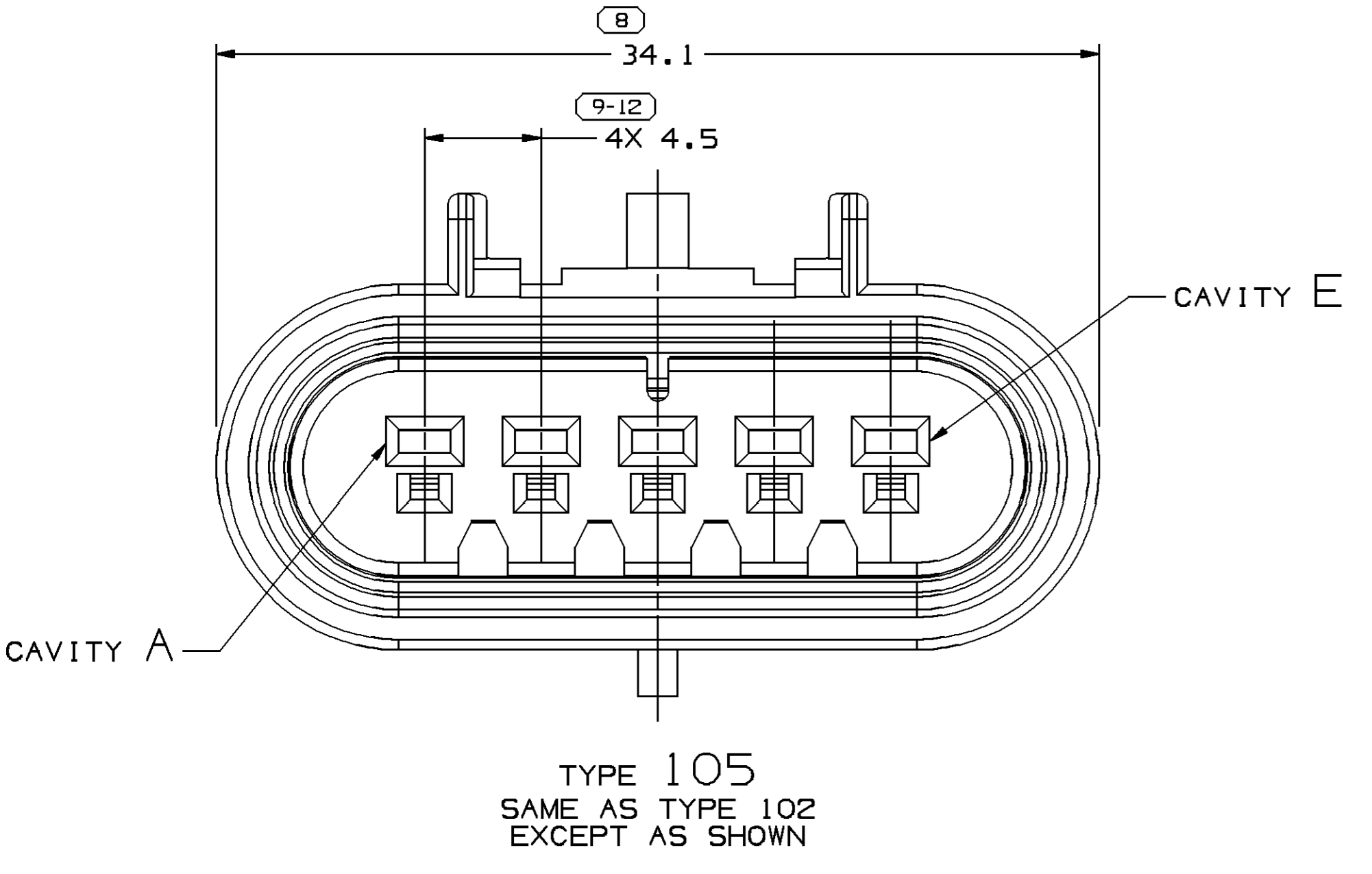
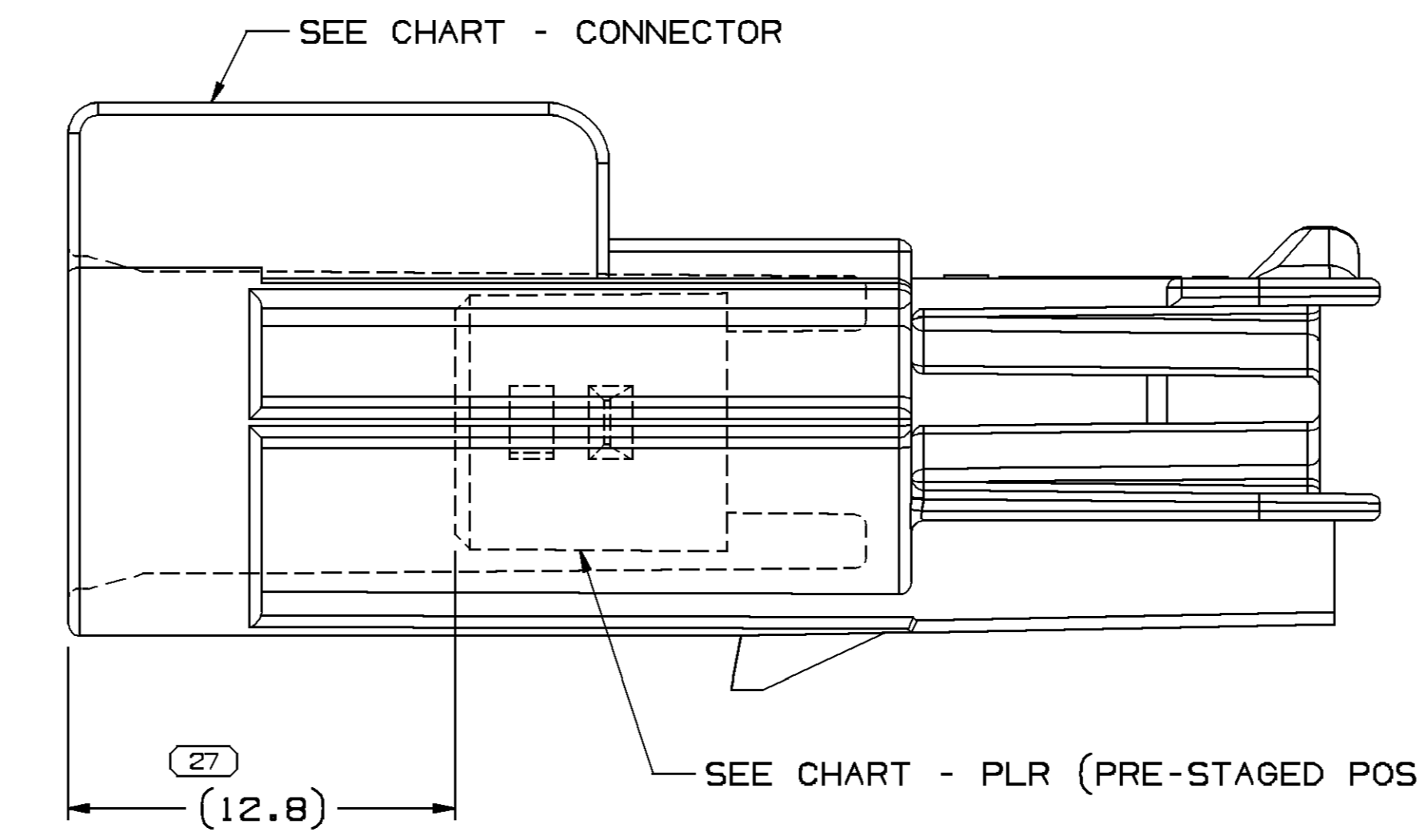
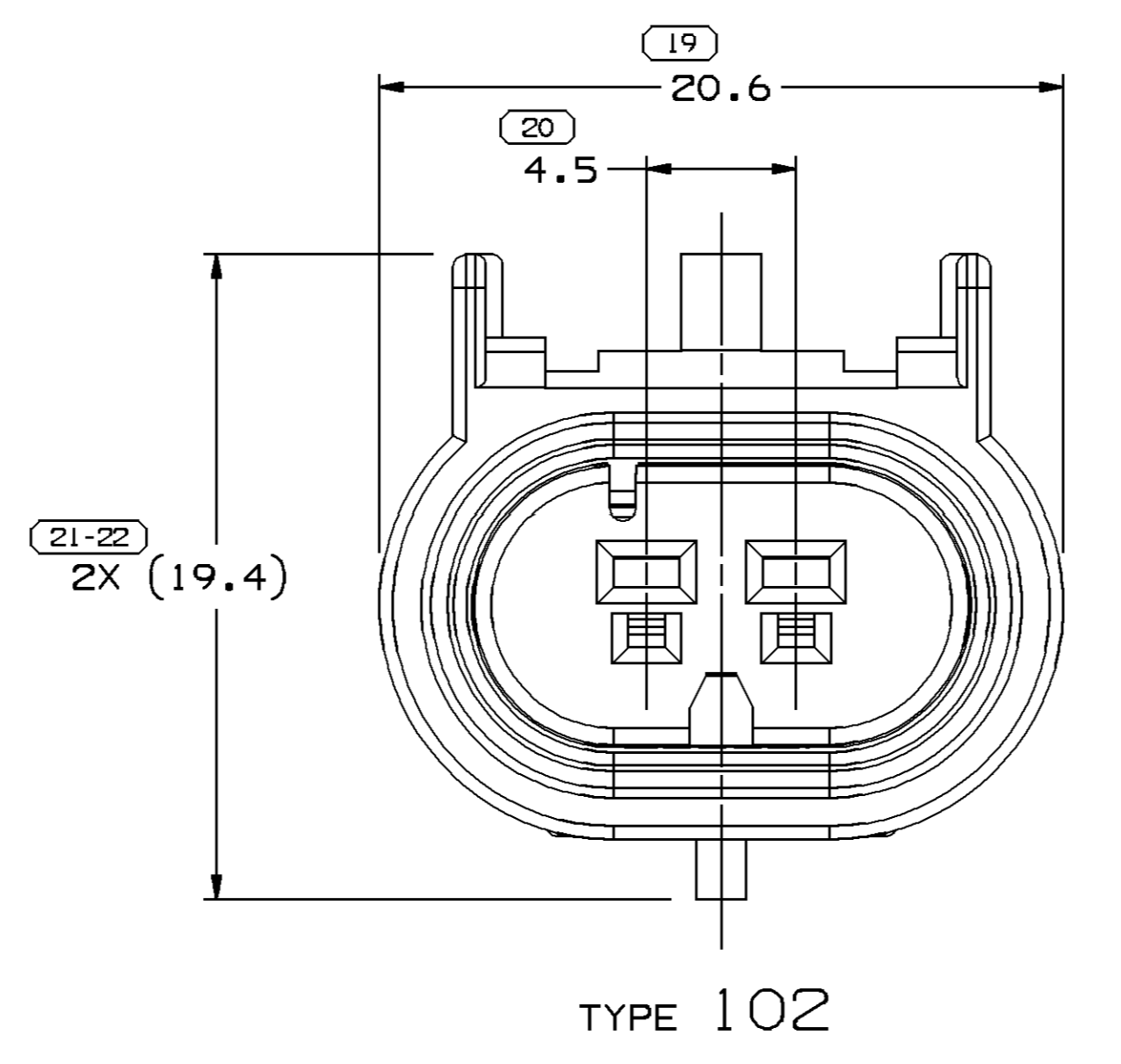
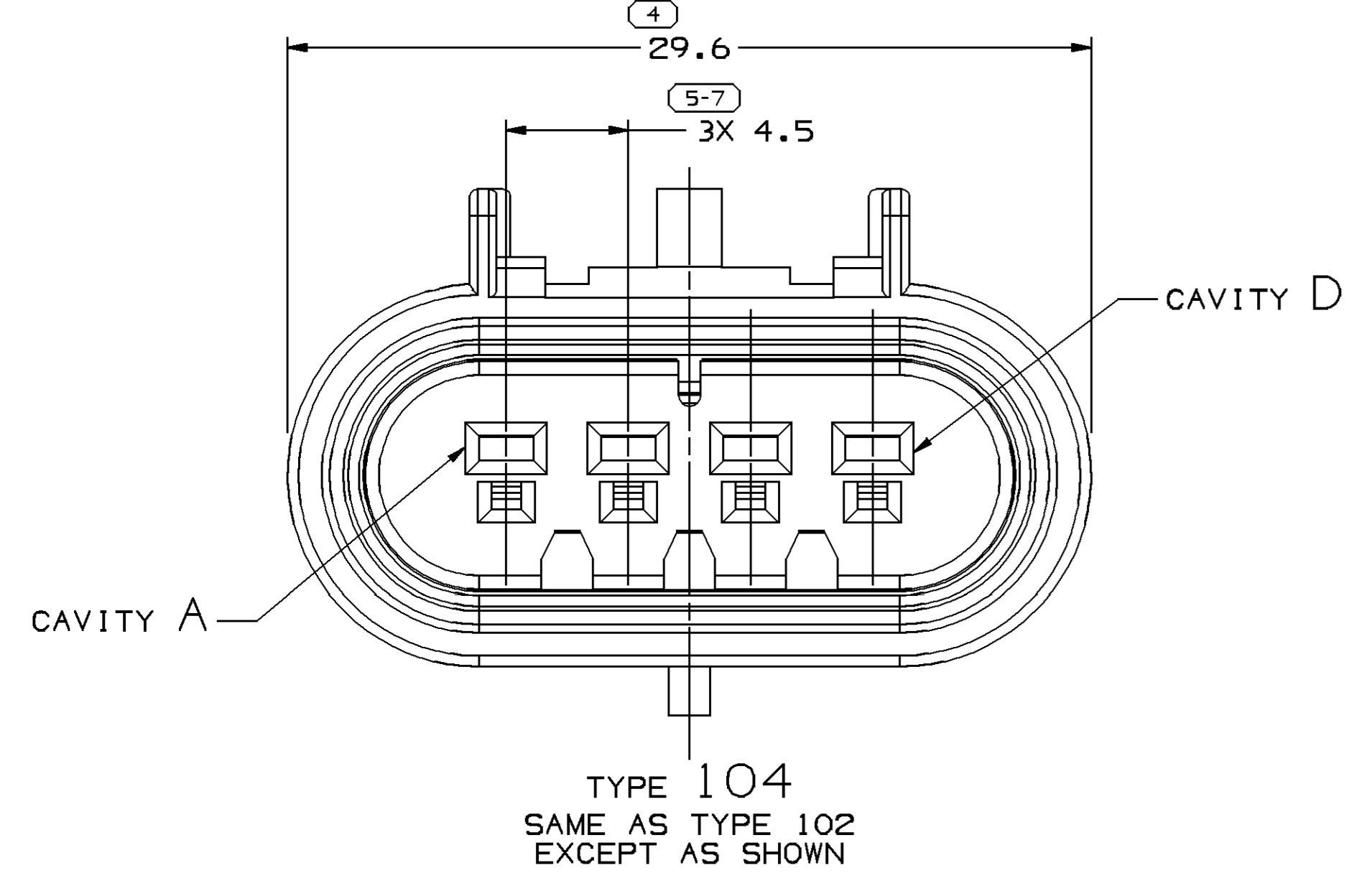
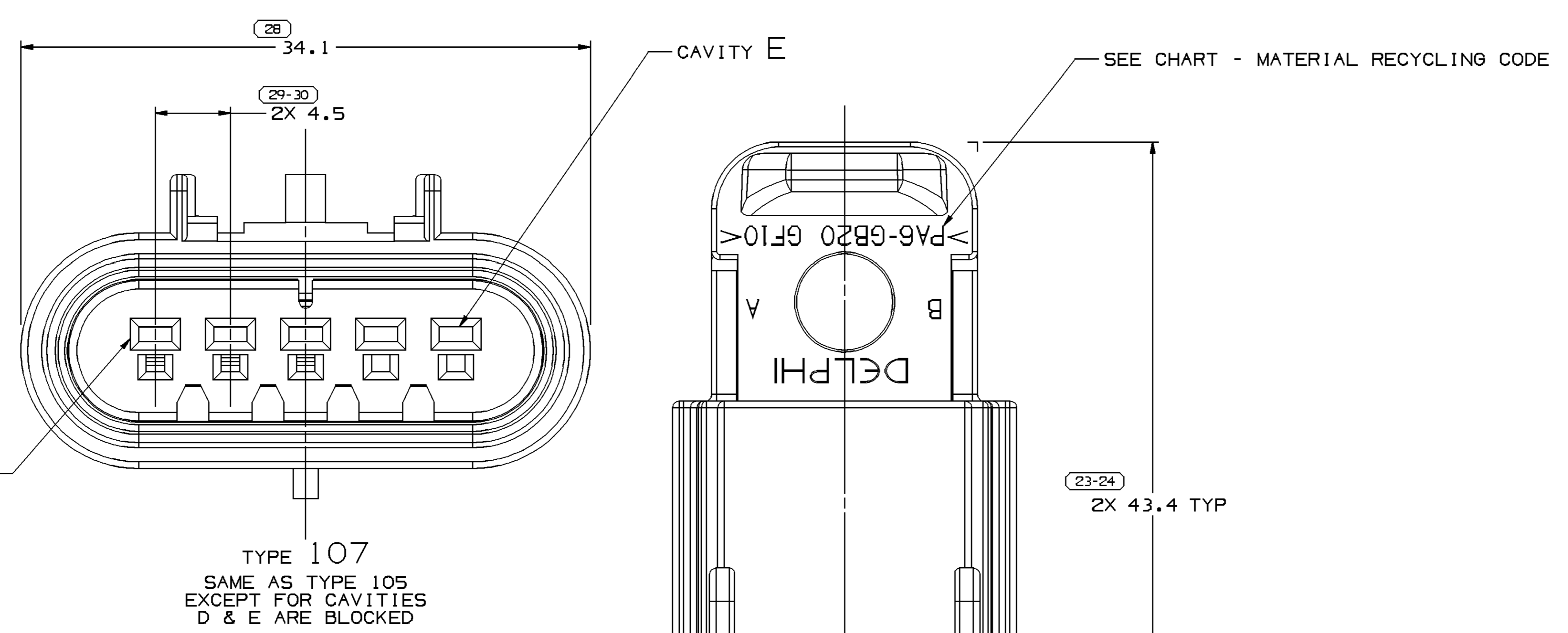
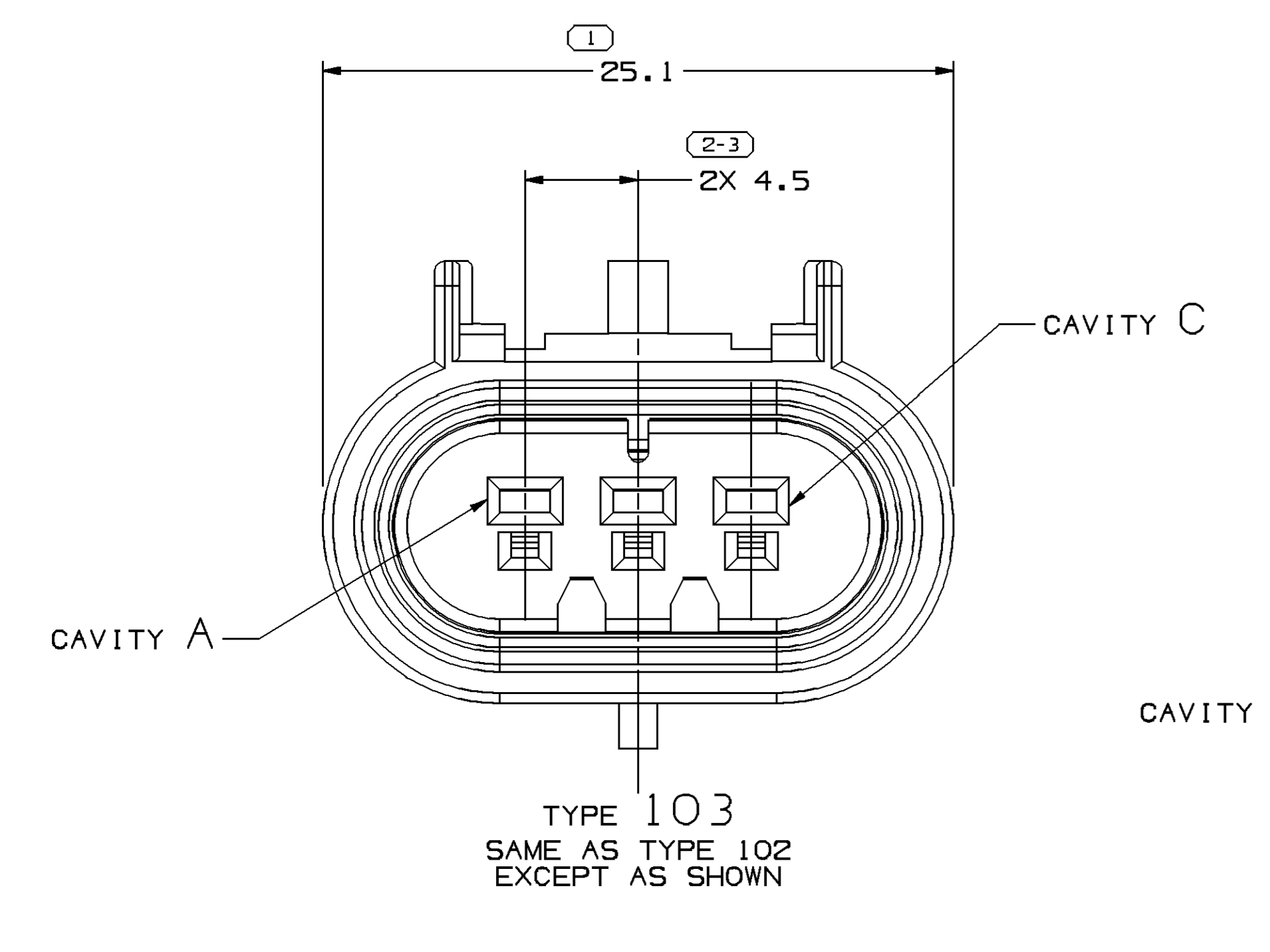


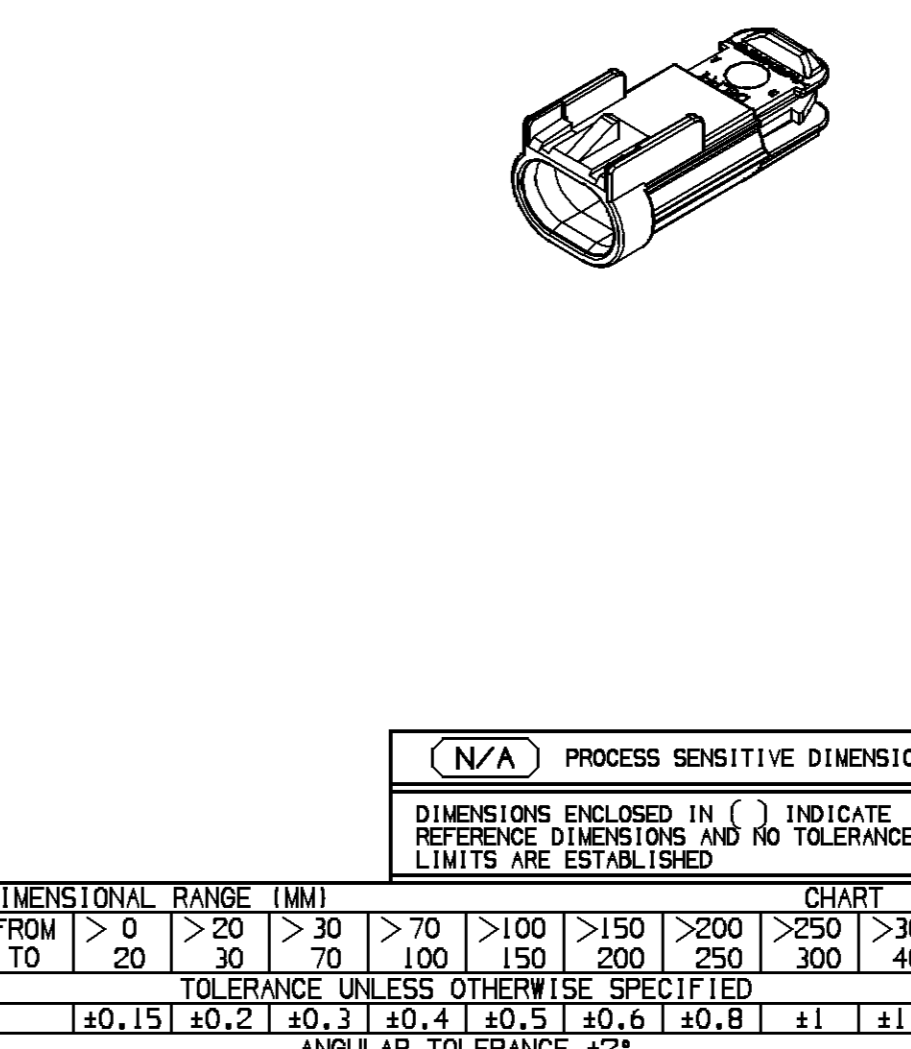
SYMBOL DEFINITION		MISSING NUMBERS	
A DIMENSION WITHOUT AN INSPECTION REPORT SYMBOL DOES NOT REQUIRE INSPECTION. IT MAY BE CONTROLLED ON AN INDIVIDUAL COMPONENT DRAWING.	TOTAL NO. OF SYMBOLS ON DRAWING	15	25-26,
	LAST NO. USED	30	

DATE	STG	REV	N/P	CHG	ZONE	REVISION HISTORY	AUTH	DR	AP/D	AP/D
04N099	R	001	-	-	-	CLEAR REVISION COLUMN: ALL PARTS - REVISED GRAPHICS	197500	PHC	JCS	MC
03JA00	R	002	-	-	-	ALL PARTS REVISED, (19.4) WAS 19.4	198070	JHH	JHH	MC
27MR00	R	003	-	-	-	ALL PARTS - REVISED PLR	199420	KBD	KBD	MC
20AP00	R	004	-	-	-	ALL PARTS - ADDED (12.8) DIM & REMOVED 30.6 & 30.6 DIMS	199528	EVV	MVA	MC
29MR01	R	005	-	-	-	ALL PARTS - REVISED NOTES	206589	KBD	KBD	MC
29MR01	R	006	-	-	-	15397579 - RELEASED	207607	KBD	KBD	MC
22FE02	R	007	-	-	-	ALL PARTS - ADDED TPA MATING PART INFORMATION	220843	EVV	EVV	AH
13JA04	R	08	-	-	-	ADDED 15485648 AND REVISED NOTE 3	249215	BRB	BRB	LN
13JA04	R	08	-	-	-	ADDED 15487755	250452	BRB	BRB	LN
06MY04	R	09	-	-	-	CORRECTED ASSEMBLIES - 15326820, 15485648, 15487755.	254724	LLJ	LLJ	LN
10AU04	R	10	-	-	-	ALL PARTS - ADDED CAVITY PLUG NOTE: ADDED PART 13510099	257917	RH	RH	LN
01DE04	R	11	-	-	-	15326806 - UPDATED PDM ATTRIBUTES	261604	HAM	HAM	MC
04JA05	R	12	-	-	-	13519049, 13519053 - RELEASED	262679	ADK	ADK	LN
07FE05	R	13	-	-	-	13519592 - RELEASED	264260	JPB	JVM	PYP
29JN05	R	14	-	-	-	RELEASED 13533785	269268	JEB	JEB	LN
18OC05	R	15	-	-	-	ALL PARTS - ADDED "CONN COLOR" COLUMN TO CHART: 15326806, 15326827 & 15326820 - CHANGED STATUS TO RESTRICTED AND ADDED "REPLACED BY" PART NUMBER: 13519592 - OBSOLETE: 13546698 - RELEASED	273303	CJP	CJP	LN
13FE06	R	16	-	-	-	UPDATED PDM ATTRIBUTES	277480	TS	TS	SM
17AP06	R	17	-	-	-	13510099 - UPDATED PDM ATTRIBUTES	279594	JBD	AUG	SRM



- NOTES
- UNLESS OTHERWISE SPECIFIED AND/OR INDICATED: DIMENSIONS ARE TO FACE OF VIEW SHOWN AND AUTOMATICALLY ROUNDED BY COMPUTER FOR INSPECTION. (SEE MATH MODEL FOR PRECISE DIMENSIONS.) FOR ALL OTHER DIMENSIONS NOT SHOWN BUT REQUIRED FOR TOOL BUILD, SEE MATH MODEL FOR PRECISE TOOL PATH DATA.
 - MATING COMPONENTS OR EQUIVALENT: PLASTIC MATING ASSEMBLY PARTS SEE CHART
 - THIS PART ACCEPTS THE FOLLOWING COMPONENTS OR EQUIVALENT:
 - TERMINAL 15326268
 - CABLE SEAL 15366021
 - CAVITY PLUG 15305171
 - METAL CLIP SEE TAXI 08900009
 - PLASTIC SELF LOCKING CLIP 15358639
- THIS CONNECTOR MEETS OR EXCEEDS SAE/USCAR-2 AUGUST 1997, SECTION 5.3.1.2, TERMINAL DISENGAGE CRITERIA WITH THE APPLICATION OF A TERMINAL POSITION ASSURANCE (TPA) SECONDARY LOCK. (SEE CHART BELOW FOR APPROPRIATE TPA).

PART NO	REV	N/P	STATUS	TYPE	CONNECTOR	CONN COLOR	MATERIAL RECYCLING CODE	PLR	MATING ASM CONN	MATING TPA	REPLACED BY
13546698	01	-	-	102	13546697	NAT	PBT-GF20	15326803 / ID404323	13546696	15355128	-
13533785	01	AA	-	102	13534233	GRA	PBT-GF20	15326803 / ID404323	13533784	15355128	-
13519592	01	AA	OBSOLETE	107	13519591	BLK	PA6-GB20 GF10	15326824 / ID404319	13521746	15418547	-
13519053	01	AA	-	105	13519052	BLK	PBT-GF20	15326824 / ID404319	13519051	15418547	-
13519049	01	AA	-	103	13519048	BLK	PBT-GF20	15326810 / ID404322	13519047	15418545	-
13510099	01	AC	-	102	13510098	BLK	PBT-GF20	15326803 / ID404323	13510085	15355128	-
15487755	01	AC	-	104	15487757	BLK	PBT-GF20	15326817 / ID404321	15487756	15418546	-
15485648	01	AC	-	104	15485650	GRA	PBT-GF20	15326817 / ID404321	15485649	15418546	-
15397579	01	AC	-	106	15397576	BLK	PBT-GF20	15326937 / ID404318	15397577	15317363	-
15326833 / ID404618	03	AE	-	106	15326832 / ID404324	BLK	PA6-GB20 GF10	15326937 / ID404318	15326829 / ID404613	15317363	-
15326827 / ID404617	03	AE	RESTRICTED	105	15326826 / ID404325	BLK	PA6-GB20 GF10	15326824 / ID404319	15326822 / ID404612	15418547	13519053
15326820 / ID404616	03	AF	RESTRICTED	104	15326819 / ID404326	BLK	PA6-GB20 GF10	15326815 / ID404611	15418546	15487755	-
15326813 / ID404615	03	AE	-	103	15326812 / ID404327	BLK	PA6-GB20 GF10	15326810 / ID404322	15326808 / ID404610	15418545	-
15326806 / ID404614	03	AF	RESTRICTED	102	15326805 / ID404328	BLK	PA6-GB20 GF10	15326803 / ID404323	15326801 / ID404609	15355128	13510099



PART DRAWING	
STYLE	SEE CHART
VOLUME (10/1)	D
DATE	16JL97
DR	M. MCCALL
AP/D1	M. MCCALL
AP/D2	M. MCCALL
AP/D3	M. CHUPAK
AP/D4	
AP/D5	

DELPHI
DELPHI PACK/ARD ELECTRIC SYSTEMS
WARREN, MI

UNLESS OTHERWISE SPECIFIED:
DIMENSIONS ARE IN ACCORDANCE WITH ASME Y14.5M-1994
AS SHOWN BY THE DIMENSION LINE. DIMENSIONS AND TOLERANCES
RELATIVE TO THE DATE OF THIS DRAWING. ALL DIMENSIONS UNLESS
OTHERWISE SPECIFIED ARE TO FACE OF VIEW SHOWN AND
AUTOMATICALLY ROUNDED BY COMPUTER FOR INSPECTION.
TOLERANCE UNLESS OTHERWISE SPECIFIED:
DIMENSIONS ARE ESTABLISHED BY ORIENTATION OR LOCATION TOLERANCES.
SPACED PARTITION CALLOUTS MAY BE SPACED SEPARATELY.
REPEALANCE OF DIMENSION REFERENCE.
ALL DIMENSIONS ARE IN MILLIMETERS.

REFERENCE

(N/A) PROCESS SENSITIVE DIMENSION

DIMENSIONS ENCLOSED IN () INDICATE REFERENCE DIMENSIONS AND NO TOLERANCE LIMITS ARE ESTABLISHED.

THIRD ANGLE PROJECTION

DO NOT SCALE

USE MATH DATA

TAXI ASM CONN M 0T 150 SLD

DRAWING NUMBER
15326962

SIZE A0 SCALE 5:1 FRAME NO 1 OF 2 SHEET NO 1 REV N/P 17