

## TYPE C FEMALE CONNECTOR SERIES 16



### PHYSICAL PROPERTIES

INSULATION MATERIAL: Glass filled thermoplastic rated UL 94V-0

COLOR: Gray

CONTACTS: Copper alloy, nickel plate overall, gold finish in contact zone. Tin/lead on solder tails, tin/lead or gold on posts.

### ELECTRICAL PROPERTIES

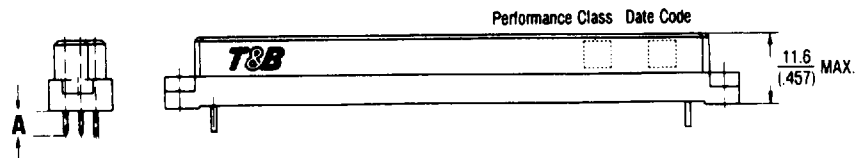
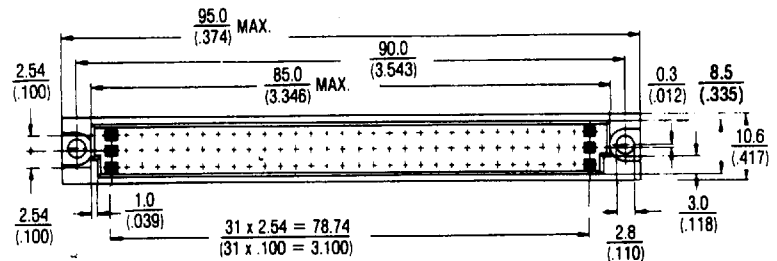
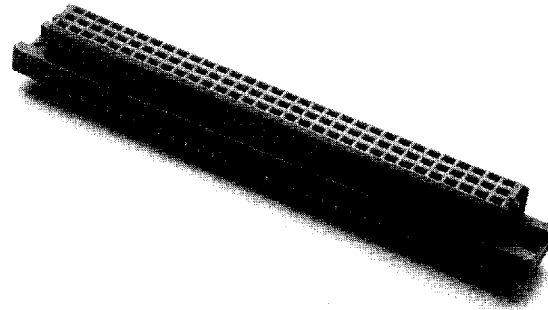
CURRENT RATING: 2 Amps

INSULATION RESISTANCE:  $>1 \times 10^9$  Ohms

DIELECTRIC STRENGTH:  $>500$  VDC at sea level

### ENVIRONMENTAL PROPERTIES

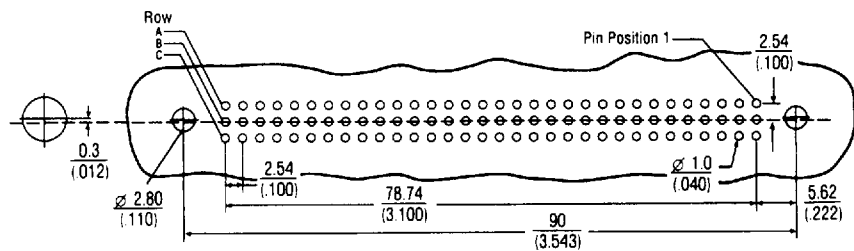
TEMPERATURE RATING: -55°C TO 125°C



### X PERFORMANCE LEVEL

- 1 level 1 - 500 mating cycles
- 8 level 2 - 400 mating cycles
- 4 level 3 - 50 mating cycles

### Recommended Printed Circuit Board Layout

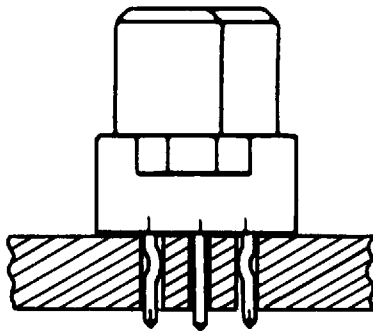


### Ordering Information

NO. OF CONTACTS	CONTACT LOADING	CATALOG NO. SPECIFY X	TERMINATION STYLE	MM (INCHES)	
64 96	a, c a, b, c	1, 2, 3 -32 1, 2, 3 -32	162-96450-605X 162-99630-605X	A = 2.9 (.114)	<p><b>Solder Post</b> 0.6 x 0.6 (.024 x .024)</p>
64 96	a, c a, b, c	1, 2, 3 -32 1, 2, 3 -32	162-96450-705X 162-99630-705X	A = 4.5 (.177)	
64 96	a, c a, b, c	1, 2, 3 -32 1, 2, 3 -32	162-96450-505X 162-99630-505X	A = 13.0 (.512)	<p><b>Wire Wrap Post</b> 0.64 x 0.64 (.025 x .025)</p>

# PCB RETENTION FEATURES TYPES B AND C SERIES 16

*Retention Leads*

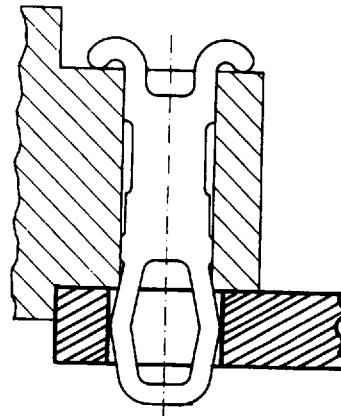


**Ordering Information**

16X-XXXXX-XXXXR

Add R to any Series 16 catalog number for retention leads. Consult factory for availability.

*Retention Clips*



**Ordering Information**

16X-XXXXX-XXXXC

Add C to any Series 16 catalog number for retention leads.