



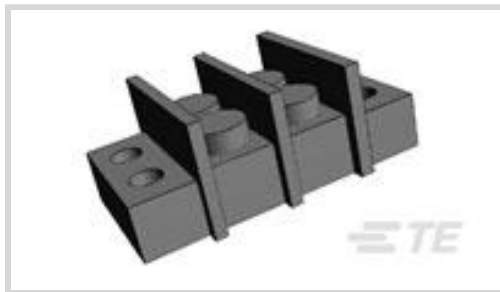
Buchanan

TE Internal #: 1546306-2

Barrier Strips, Dual Barrier, Non-Feed Through, Wire-to-Wire, 2 Position, 9.53 mm [.375 in] Centerline, 2 Row, 300 V, 22 – 12 AWG Wire Size

[View on TE.com >](#)

Connectors > Terminal Blocks & Strips > Barrier Strips



Barrier Strip Style: **Dual Barrier**

Bottom Termination Type: **Non-Feed Through**

Connector System: **Wire-to-Wire**

Number of Positions: **2**

Centerline (Pitch): **9.53 mm [.375 in]**

Features

Product Type Features

| | |
|-----------------------------------|---------------|
| Product Type | Barrier Strip |
| Block Style | Flat |
| Connector System | Wire-to-Wire |
| Connector & Contact Terminates To | Wire & Cable |

Configuration Features

| | |
|---------------------|---|
| Number of Levels | 1 |
| Number of Positions | 2 |
| Number of Rows | 2 |

Electrical Characteristics

| | |
|----------------------|-------|
| Current Rating (Max) | 20 A |
| Voltage Rating | 300 V |

Body Features

| | |
|---------------------|--------------|
| Color | Black |
| Barrier Strip Style | Dual Barrier |

Contact Features

| | |
|------------------------------|-------|
| Terminal Material | Brass |
| Terminal Plating Material | Tin |
| Contact Current Rating (Max) | 20 A |



Termination Features

| | |
|-------------------------|------------------|
| Bottom Termination Type | Non-Feed Through |
|-------------------------|------------------|

Mechanical Attachment

| | |
|-------------------------|-------------------|
| Mounting Angle | Vertical |
| Mounting Insert | Without |
| Screw Plating Material | Nickel |
| Screw Material | Steel |
| Mounting Options | End Mounting Ears |
| Mounting Ears | With |
| Screw Size | 6-32 |
| Connector Mounting Type | Panel Mount |

Housing Features

| | |
|--------------------|-------------------|
| Housing Material | Thermoplastic |
| Centerline (Pitch) | 9.53 mm [.375 in] |

Dimensions

| | |
|-----------|------------------------|
| Length | 36.2 mm [1.426 in] |
| Wire Size | .3 – 3 mm ² |

Usage Conditions

| | |
|-----------------------------|-----------------------------|
| Operating Temperature Range | -40 – 120 °C [-40 – 248 °F] |
|-----------------------------|-----------------------------|

Operation/Application

| | |
|---------------------|-------|
| Circuit Application | Power |
|---------------------|-------|

Industry Standards

| | |
|------------------------|----------|
| UL Flammability Rating | UL 94V-0 |
|------------------------|----------|

Packaging Features

| | |
|--------------------|--------|
| Packaging Quantity | 200 |
| Packaging Method | Carton |

Other

| | |
|---------|---|
| Comment | Other options available upon request, consult our Product Information Center. |
|---------|---|

Product Compliance

[For compliance documentation, visit the product page on TE.com>](#)



| | |
|---|--|
| EU RoHS Directive 2011/65/EU | Compliant |
| EU ELV Directive 2000/53/EC | Compliant |
| China RoHS 2 Directive MIIT Order No 32, 2016 | No Restricted Materials Above Threshold |
| EU REACH Regulation (EC) No. 1907/2006 | Current ECHA Candidate List: JUNE 2022 (224) Candidate List Declared Against: JAN 2022 (223) SVHC > Threshold: Not Yet Reviewed |
| Halogen Content | Low Halogen - Br, Cl, F, I < 900 ppm per homogenous material. Also BFR/CFR/PVC Free |
| Solder Process Capability | Wave solder capable to 265°C |

Product Compliance Disclaimer

This information is provided based on reasonable inquiry of our suppliers and represents our current actual knowledge based on the information they provided. This information is subject to change. The part numbers that TE has identified as EU RoHS compliant have a maximum concentration of 0.1% by weight in homogenous materials for lead, hexavalent chromium, mercury, PBB, PBDE, DBP, BBP, DEHP, DIBP, and 0.01% for cadmium, or qualify for an exemption to these limits as defined in the Annexes of Directive 2011/65/EU (RoHS2). Finished electrical and electronic equipment products will be CE marked as required by Directive 2011/65/EU. Components may not be CE marked. Additionally, the part numbers that TE has identified as EU ELV compliant have a maximum concentration of 0.1% by weight in homogenous materials for lead, hexavalent chromium, and mercury, and 0.01% for cadmium, or qualify for an exemption to these limits as defined in the Annexes of Directive 2000/53/EC (ELV). Regarding the REACH Regulation, the information TE provides on SVHC in articles for this part number is based on the latest European Chemicals Agency (ECHA) 'Guidance on requirements for substances in articles' posted at this URL: <https://echa.europa.eu/guidance-documents/guidance-on-reach>

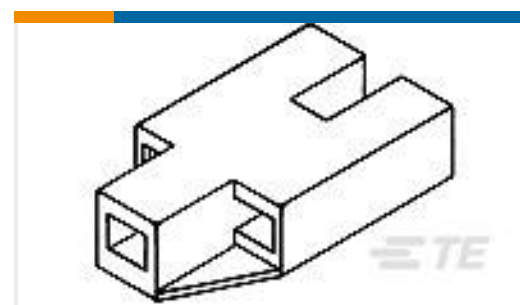
Compatible Parts



Customers Also Bought



TE Part #3-2176230-9
3522 1K2 5% 3W



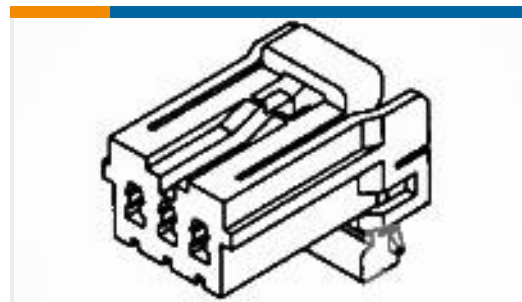
TE Part #360050-1
090 DIA CLSTR BLK



TE Part #62131-3
CLSTR PIN RCPT



TE Part #1546306-5
5P .374" DR BARRIER STRIP



TE Part #282627-1
070 SRS MLC PLUG HSG. 3 POS.



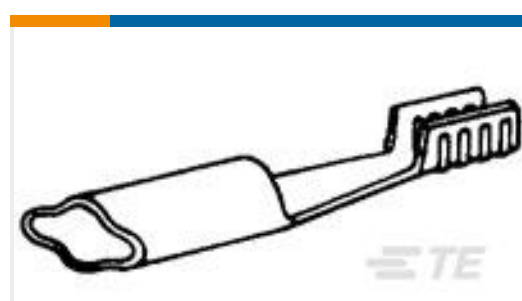
TE Part #350851-7
UMNL SOK 24-18 AUNIBR



TE Part #1955415-1
3P CLUSTER BLOCK HOUSING



TE Part #1217264-1
RCPT 090 CLSTR PIN 22-14



TE Part #60733-1
PIN .090 RECEPTACLE TPPHBZ

Documents

Product Drawings

[2P .374" DR BARRIER STRIP](#)

English

CAD Files

Customer View Model

[ENG_CVM_CVM_1546306-2_K.2d_dxf.zip](#)

English

3D PDF

3D

Customer View Model

[ENG_CVM_CVM_1546306-2_K.3d_igs.zip](#)

English

Customer View Model

[ENG_CVM_CVM_1546306-2_K.3d_stp.zip](#)

English

By downloading the CAD file I accept and agree to the [Terms and Conditions](#) of use.

Datasheets & Catalog Pages

1546306-2

Barrier Strips, Dual Barrier, Non-Feed Through, Wire-to-Wire, 2 Position, 9.53 mm [.375 in] Centerline, 2 Row, 300 V, 22 – 12 AWG Wire Size



[BUCHANAN TERMINAL BLOCKS CATALOG - BARRIER STRIPS](#)

English

[1-1773458-2_BARRIER_STRIPS_QUICK_REFERENCE_GUIDE](#)

English

[Product Environmental Compliance](#)

[TE Material Declaration](#)

English