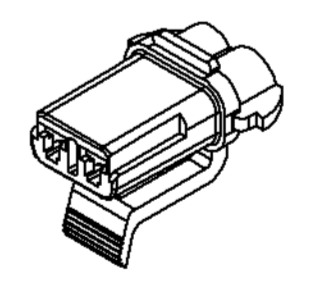
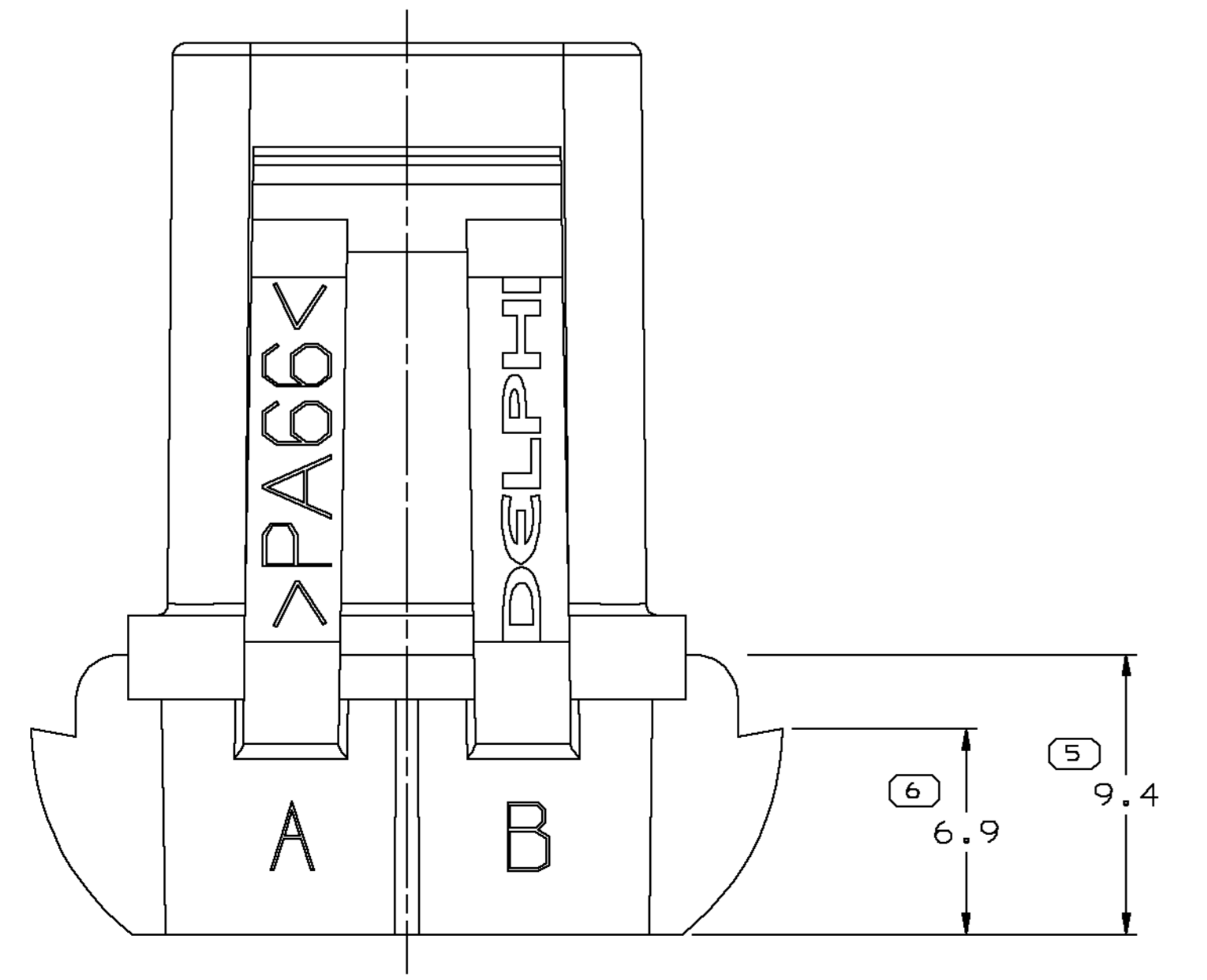
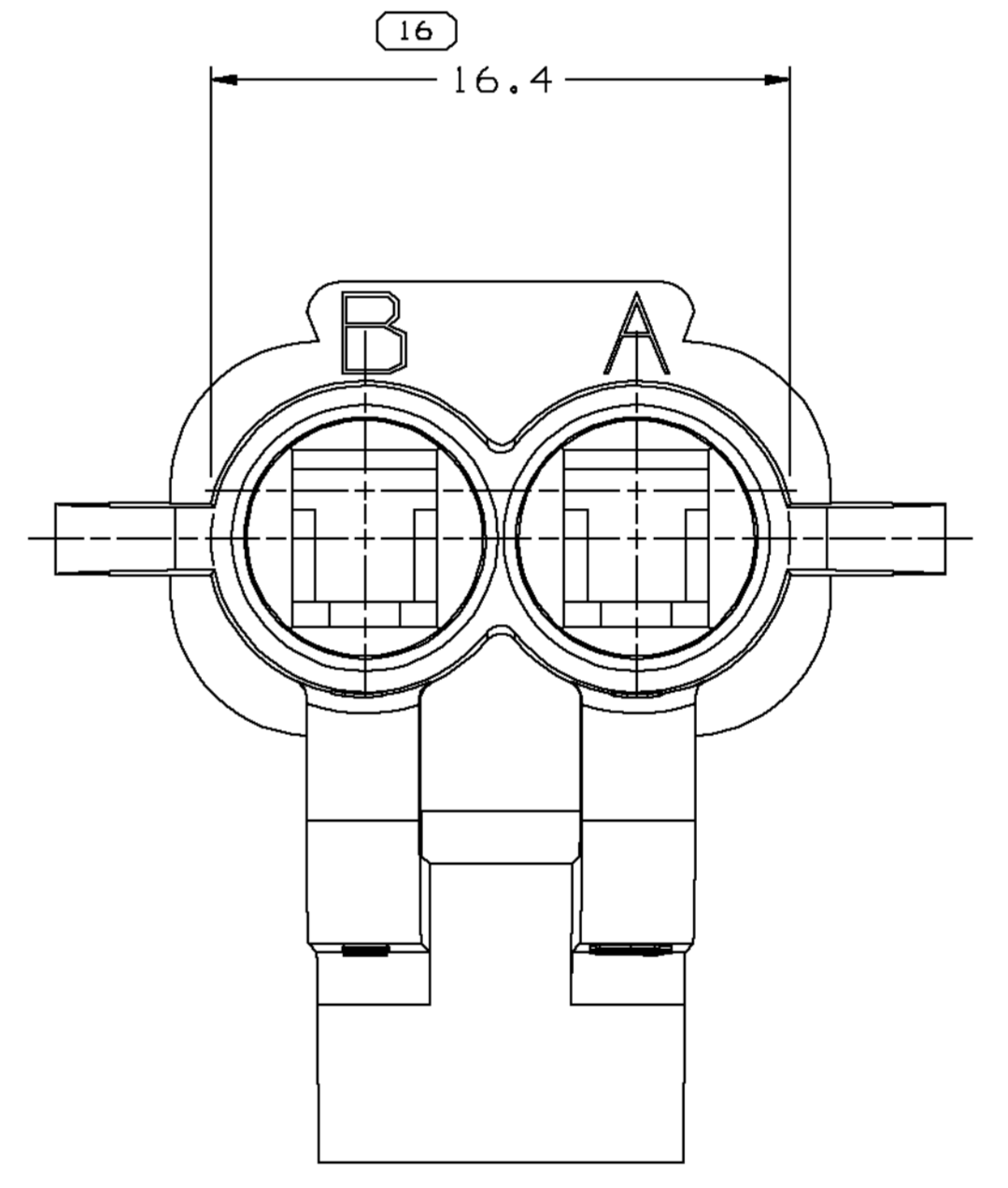
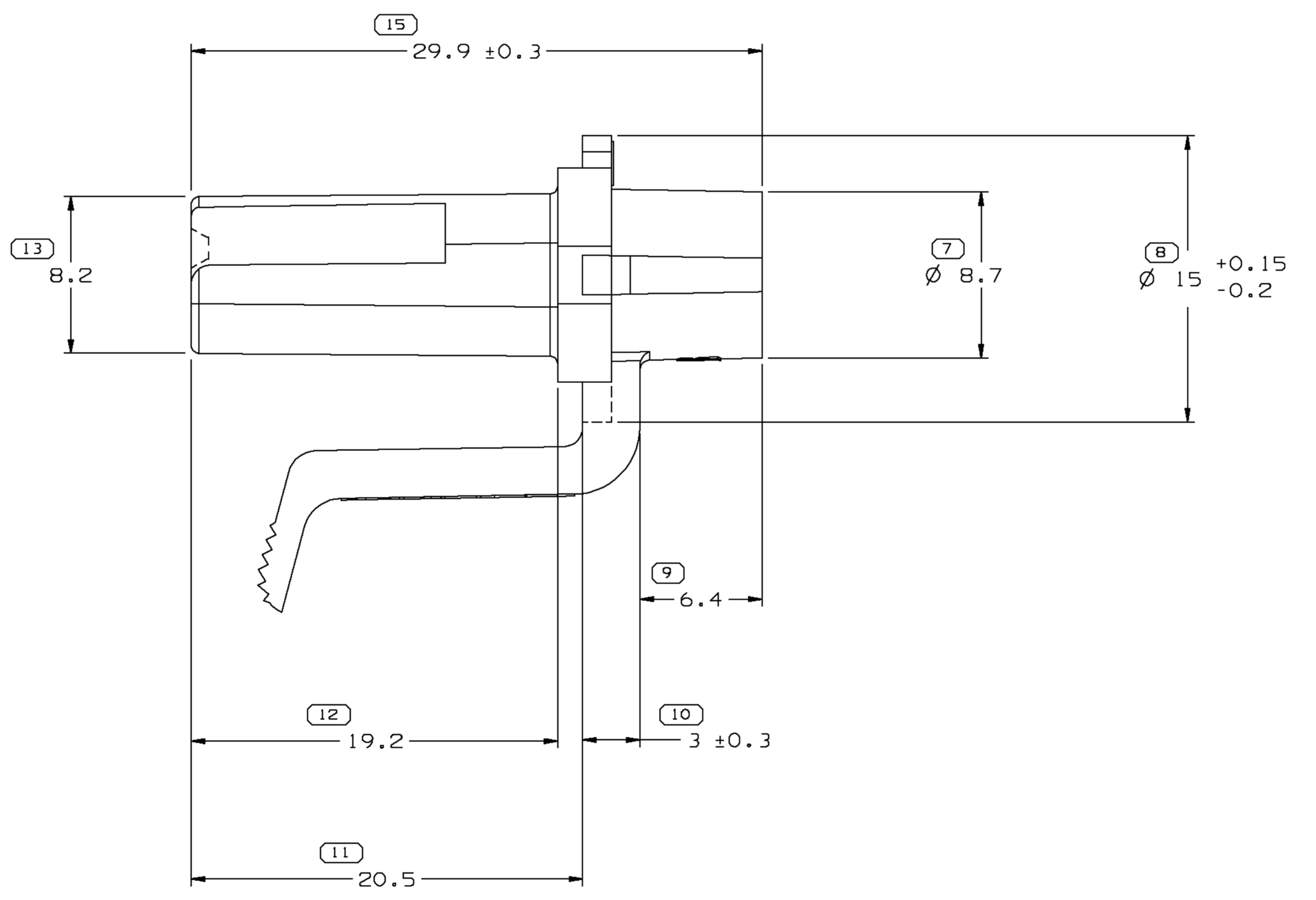
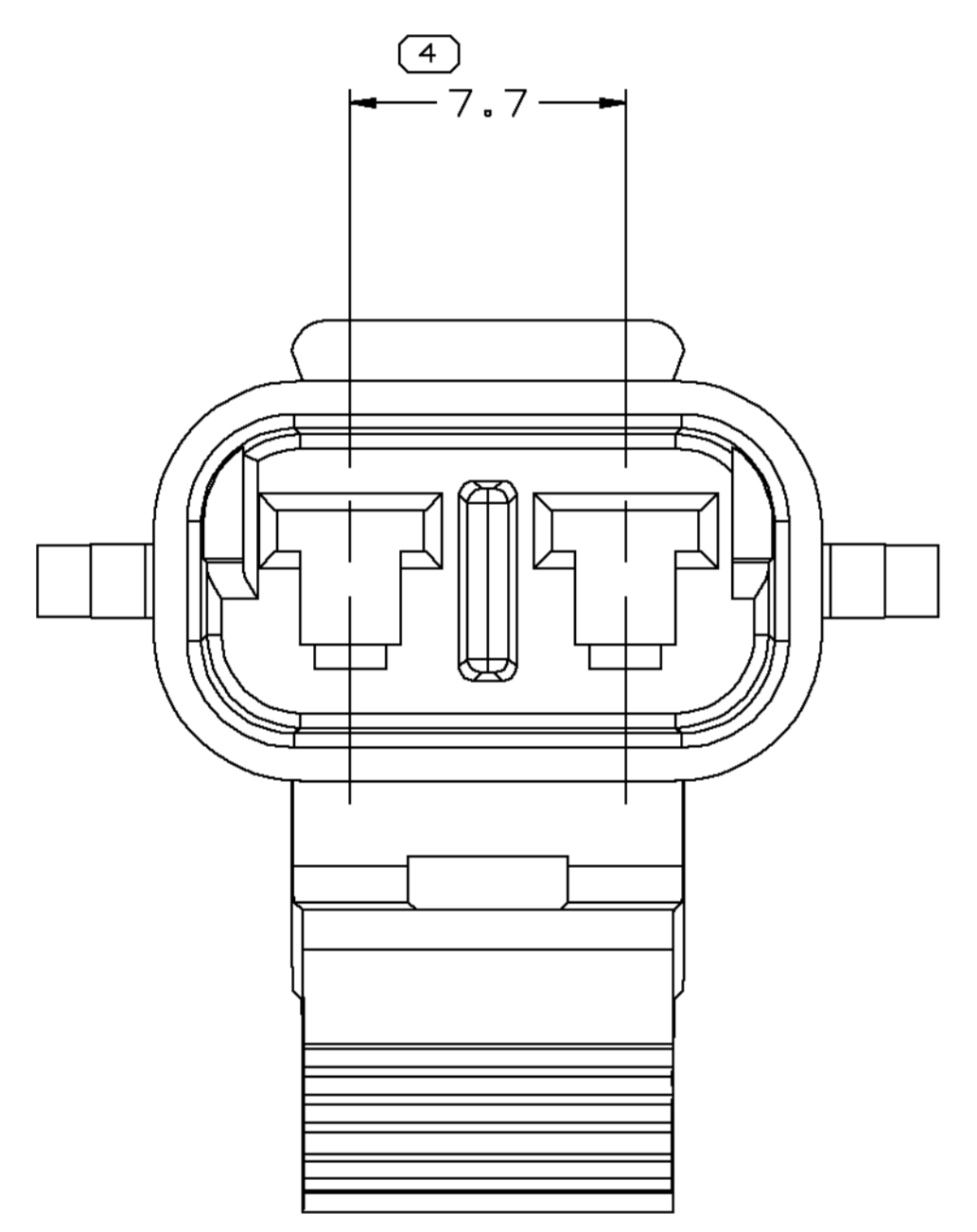
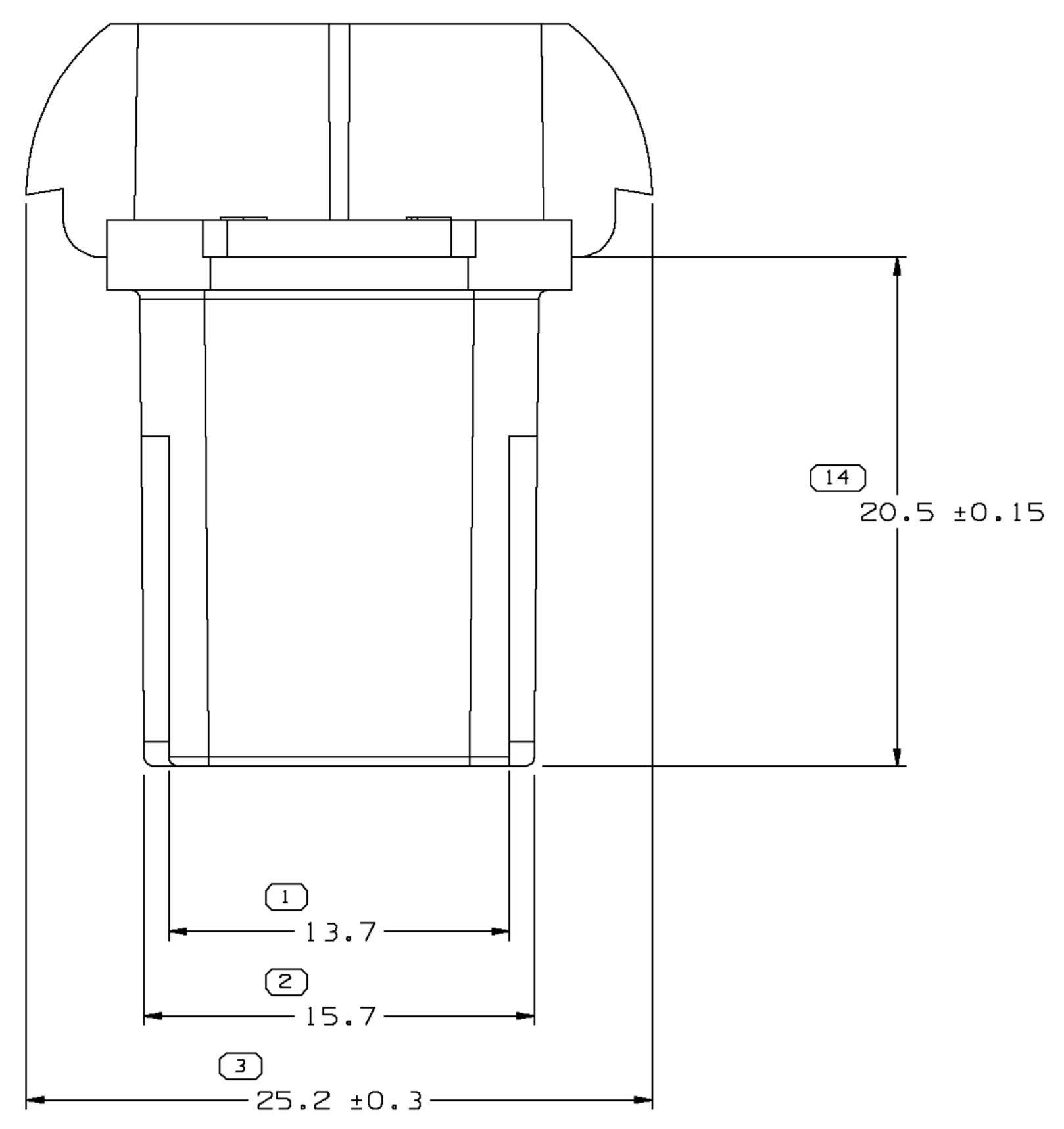


SYMBOL DEFINITION		MISSING SYMBOLS	
A DIMENSION WITHOUT AN INSPECTION REPORT SYMBOL DOES NOT REQUIRE INSPECTION. IT MAY BE CONTROLLED ON THE INDIVIDUAL COMPONENT DRAWING.	TOTAL NO OF INSPECTIONS REQUIRED	NO MISSING SYMBOL NUMBER	
	16		
	LAST NO. USED		
	16		

DWG STATUS					REVISION HISTORY			AUTH	DR	APVD	APVD
DATE	STG	REV	N/P	CHG	ZONE						
18SE01	R	01	-	-		ALL PARTS - REDRAWN TO PD, ADDED OPTIONAL CONSTRUCTION NOTES & REVISED MAT'L SPEC	213958	EOV	EOV	RC	RC
11DE01	R	02	-	-		ALL PARTS - REMOVED 2.7 DIM & REVISED INSPECTION SYMBOL NUMBER	218438	EOV	EOV	RC	RC
17JAO3	R	03	-	-		ALL PARTS - UPDATED PDM ATTRIBUTES	234915	EAR	EAR	RC	RC
23JAO3	R	04	-	-		ALL PARTS - ADDED NOTE 5	235937	EOV	EOV	RC	RC



NOTES

- UNLESS OTHERWISE SPECIFIED AND/OR INDICATED: DIMENSIONS ARE TO FACE OF VIEW SHOWN AND AUTOMATICALLY ROUNDED BY COMPUTER FOR INSPECTION (SEE MATH MODEL FOR PRECISE DIMENSIONS). FOR ALL OTHER DIMENSIONS NOT SHOWN BUT REQUIRED FOR TOOL BUILD, SEE MATH MODEL FOR PRECISE TOOL PATH DATA.
- MATERIAL RECYCLING CODE >PA66< PER SAE J1344. (2.3)X(0.1) RAISED CHARACTERS AS SHOWN TO BE LOCATED ON ANY EXTERIOR SURFACE. OPTIONAL CONSTRUCTION TO BE NO MATERIAL RECYCLING CODE.
- MATING COMPONENTS OR EQUIVALENT:
CONNECTOR 15300002
TERMINAL 12077412
TERMINAL POSITION ASSURANCE LOCK 15300014
- (2.3)X(0.1) RAISED DELPHI CORPORATE BRAND TO BE LOCATED ON ANY EXTERIOR SURFACE, PREFERABLY VISIBLE AT FINAL ASSEMBLY. OPTIONAL CONSTRUCTION TO BE "PED" OR NO LOGO.
- CAVITY IDENTIFICATION LETTERS TO BE LOCATED ON BARRELS AND/OR RAIL.

PART NO	REV	N/P	STATUS	MATERIAL SPECIFICATION AND COLOR	VOLUME CM ³
15300008	E9	-	-	M3592001 PA66 IM HS BLK	3.734
12177247	AB	-	-	M3592004 PA66 IM HS RED	3.734
12177246	AB	-	-	M3592002 PA66 IM HS NAT	3.734
12162693	A9	-	-	M3592012 PA66 IM HS GRA LT	3.734

<p>(15) PROCESS SENSITIVE DIMENSION</p> <p>DIMENSIONS ENCLOSED IN () INDICATE RETIRED DIMENSIONS AND NO TOLERANCE LIMITS ARE ESTABLISHED</p>		<p>CHART E1</p> <p>FROM TO DIMENSIONAL RANGE (MM)</p> <p>0 20 >20 30 >30 70 >70 100 >100 150 >150 200 >200 250 >250 300 >300 400</p> <p>TOLERANCE UNLESS OTHERWISE SPECIFIED</p> <p>±0.15 ±0.2 ±0.3 ±0.4 ±0.5 ±0.6 ±0.8 ±1 ±1.2</p> <p>ANGULAR TOLERANCE ±2°</p>	<p>THIRD ANGLE PROJECTION</p> <p>DO NOT SCALE</p> <p>USE MATH DATA</p>	<p>UNIGRAPHICS</p>
---	--	--	--	--------------------

DELPHI
DELPHI PACKARD ELECTRIC SYSTEMS
WARREN, OH

DR	DATE
APVD1 E. VAZQUEZ	18SE01
APVD2 E. VAZQUEZ	18SE01
APVD3 R. CORZAS	18SE01
APVD4	
APVD5	

MATERIAL: SUBSTANCES OF CONCERN AND RECYCLED CONTENT PER DELPHI 10949001

SEE CHART

DRAWING NAME: TAXI CONN 2 F M/P 280 N/A SEALED

DRAWING NUMBER: 12162700

SIZE: A0 SCALE: 5:1 FRAME NO: 1 OF 1 SHEET NO: 1 OF 1 REV: 04