



NG Power Terminals and Connectors, NG1

TE Internal #: 1544346-1

Housing for Female Terminals, Wire-to-Wire, 1 Position, Black, Power, Cable Mount (Free-Hanging), Hybrid

[View on TE.com >](#)

Connectors > Automotive Connectors > Connector Housings



Connector & Housing Type: **Housing for Female Terminals**

Mating Tab Width: **8 mm [ .315 in ]**

Connector System: **Wire-to-Wire**

Number of Positions: **1**

Sealable: **No**

**Features**

**Product Type Features**

Connector & Housing Shape	Rectangular
Connector & Housing Type	Housing for Female Terminals
Connector System	Wire-to-Wire
Sealable	No
Hybrid Connector	No
Primary Locking Feature	Integrated in Housing

**Configuration Features**

Number of Positions	1
Number of Rows	1

**Body Features**

Cable Exit Angle	180°
Body Material	PA
Primary Product Color	Black

**Contact Features**

Contact Size	8mm
Contact Type	Receptacle
Mating Tab Width	8 mm[.315 in]

**Mechanical Attachment**

Mounting Feature	Without
Terminal Position Assurance	No



Strain Relief	Without
Mating Alignment Type	Keyed
Mating Alignment	With
Connector Mounting Type	Cable Mount (Free-Hanging)

### Dimensions

Product Width	32.3 mm[1.27 in]
Product Length	10.8 mm[.425 in]
Product Height	24.8 mm[.976 in]

### Operation/Application

Circuit Application	Power
---------------------	-------

### Packaging Features

Packaging Quantity	2000
Packaging Method	Reel

### Other

Serviceable	No
Connector Position Assurance Capable	No

## Product Compliance

[For compliance documentation, visit the product page on TE.com>](#)

EU RoHS Directive 2011/65/EU	Compliant
EU ELV Directive 2000/53/EC	Compliant
China RoHS 2 Directive MIIT Order No 32, 2016	No Restricted Materials Above Threshold
EU REACH Regulation (EC) No. 1907/2006	Current ECHA Candidate List: JUNE 2022 (224) Candidate List Declared Against: JUL 2021 (219) SVHC > Threshold: Not Yet Reviewed
Halogen Content	Low Halogen - Br, Cl, F, I < 900 ppm per homogenous material. Also BFR/CFR/PVC Free
Solder Process Capability	Not applicable for solder process capability

#### Product Compliance Disclaimer

This information is provided based on reasonable inquiry of our suppliers and represents our current actual knowledge based on the information they provided. This information is subject to change. The part numbers that TE has identified as EU RoHS compliant have a maximum concentration of 0.1% by weight in homogenous materials for lead, hexavalent

chromium, mercury, PBB, PBDE, DBP, BBP, DEHP, DIBP, and 0.01% for cadmium, or qualify for an exemption to these limits as defined in the Annexes of Directive 2011/65/EU (RoHS2). Finished electrical and electronic equipment products will be CE marked as required by Directive 2011/65/EU. Components may not be CE marked. Additionally, the part numbers that TE has identified as EU ELV compliant have a maximum concentration of 0.1% by weight in homogenous materials for lead, hexavalent chromium, and mercury, and 0.01% for cadmium, or qualify for an exemption to these limits as defined in the Annexes of Directive 2000/53/EC (ELV). Regarding the REACH Regulation, the information TE provides on SVHC in articles for this part number is based on the latest European Chemicals Agency (ECHA) 'Guidance on requirements for substances in articles' posted at this URL: <https://echa.europa.eu/guidance-documents/guidance-on-reach>

## Also in the Series | NG Power Terminals and Connectors



Automotive Connector Caps & Covers (2)



Automotive Housings(56)



Automotive Seals & Cavity Plugs(7)



Automotive Terminals(26)



Insertion & Extraction Tools(13)

## Also in the Series | NG1



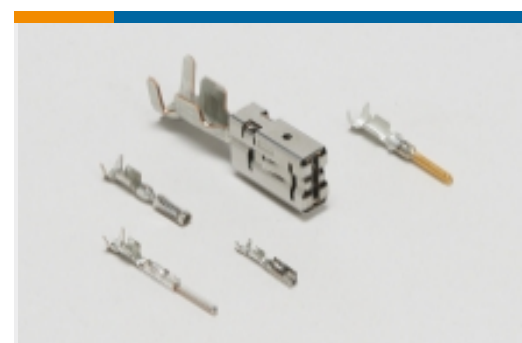
Automotive Connector Caps & Covers (2)



Automotive Housings(47)



Automotive Seals & Cavity Plugs(8)

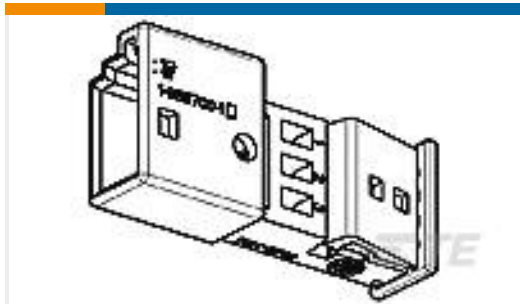


Automotive Terminals(18)

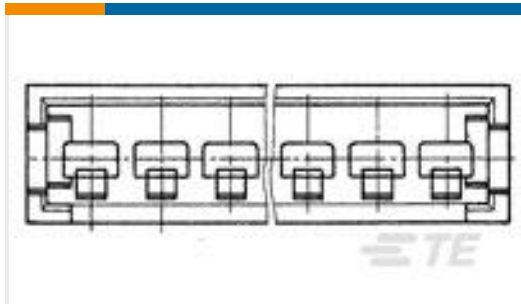


Insertion & Extraction Tools(12)

### Customers Also Bought



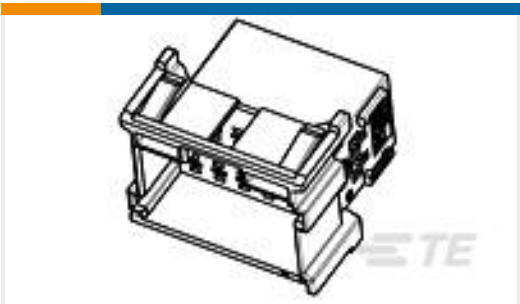
TE Part #1-968700-1  
3POS MOS TAB COD A



TE Part #280628  
AMPMODU II COSI PIN HSG, SGL ROW, 2 POS.



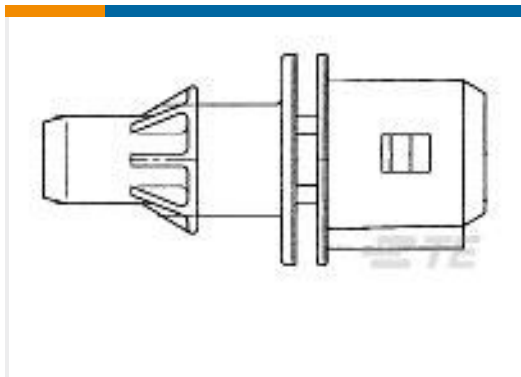
TE Part #794407-1  
MINI UNML SCKT 20-16 AWG SN



TE Part #1-967627-1  
FLA-STE-GEH2,8 12P



TE Part #1-962841-1  
TIMER, RECEPTACLE AND TAB



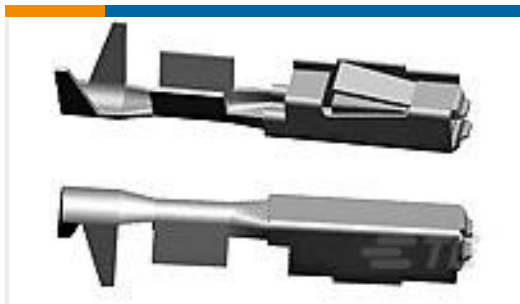
TE Part #106462-1  
2P.FASTIN-ON HSG.



TE Part #1393431-1  
V23540M7700Y 21=2 POL POT.VERT



TE Part #172748-1  
E-J MK-2 070 CAVITY PLUG



TE Part #928999-1  
MOS0,63 Sn rec LL unseal. >0,2-0,35

### Documents

#### Product Drawings

[BOITIER PC 8 MM 1](#)

English

#### CAD Files

[Customer View Model](#)

[ENG\\_CVM\\_CVM\\_1544346-1\\_A.2d\\_dxf.zip](#)

English

[3D PDF](#)

1544346-1

Housing for Female Terminals, Wire-to-Wire, 1 Position, Black, Power, Cable Mount (Free-Hanging), Hybrid



3D

Customer View Model

[ENG\\_CVM\\_CVM\\_1544346-1\\_A.3d\\_igs.zip](#)

English

Customer View Model

[ENG\\_CVM\\_CVM\\_1544346-1\\_A.3d\\_stp.zip](#)

English

By downloading the CAD file I accept and agree to the [Terms and Conditions](#) of use.