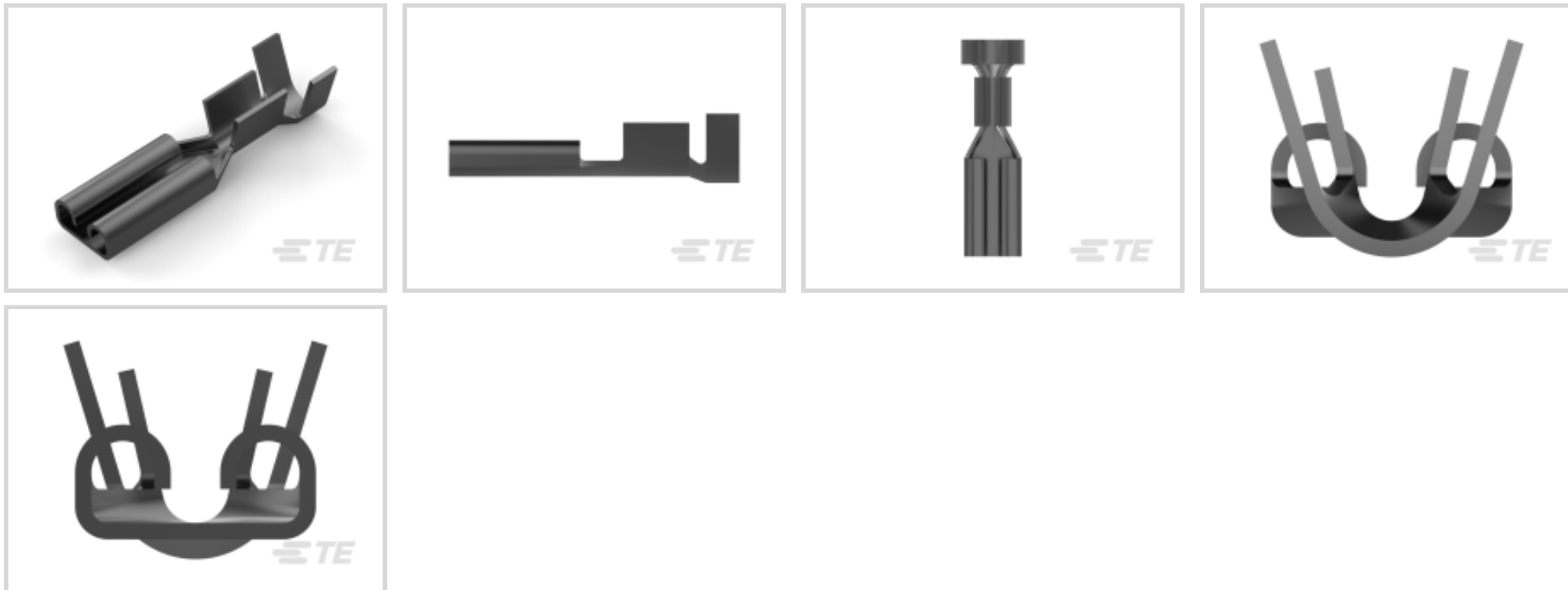




Terminals & Splices > Quick Disconnects



Quick Disconnect Terminal Type: **Receptacle**

Wire Size: .5 – 1 mm²

Mating Tab Width: 2.8 mm [.11 in]

Mating Tab Thickness: .51 mm [.02 in]

Features

Product Type Features

Terminates To	Wire & Cable
Wire/Cable Type	Regular Wire
Wire Stop	No
Insertion Force	Normal
Sealable	No

Configuration Features

Connection Capacity	Single
---------------------	--------

Electrical Characteristics

Voltage (Max)	250 V
---------------	-------

Contact Features

Quick Disconnect Terminal Type	Receptacle
Mating Tab Width	2.8 mm [.11 in]
Mating Tab Thickness	.51 mm [.02 in]
Terminal Orientation	Straight



Contact Base Material	Brass
Terminal Plating Material	Tin
Crimp Type	F-Crimp
Barrel Type	Open

Mechanical Attachment

Mating Retention Type	Dimple
Wire Insulation Support	With

Dimensions

Accepts Wire Insulation Diameter Range	2.03 – 3 mm [.08 – .118 in]
Receptacle Terminal Stock Thickness	.25 mm [.01 in]
Overall Length	14 mm [.551 in]
Wire Size	.5 – 1 mm ²

Usage Conditions

Insulation Option	Uninsulated
Operating Temperature Range	-40 – 110 °C [-40 – 230 °F]

Industry Standards

UL Flammability Rating	UL 94V-2
CSA Certified	Yes
UL Rating	Listed

Packaging Features

Packaging Quantity	10000
Packaging Method	Strip/Reel

Other

Comment	Chamfered, Versions according to DIN 46247, Part 1, all other versions have dimples, which fit IEC and ISO tabs of nominal Size 2.8.
---------	--

Product Compliance

[For compliance documentation, visit the product page on TE.com>](#)

EU RoHS Directive 2011/65/EU	Compliant
EU ELV Directive 2000/53/EC	Compliant
China RoHS 2 Directive MIIT Order No 32, 2016	No Restricted Materials Above Threshold



EU REACH Regulation (EC) No. 1907/2006

Current ECHA Candidate List: JUNE 2022
 (224)

Candidate List Declared Against: JAN 2022
 (223)

SVHC > Threshold:
 Not Yet Reviewed

Halogen Content

Low Halogen - Br, Cl, F, I < 900 ppm per
 homogenous material. Also BFR/CFR/PVC
 Free

Solder Process Capability

Not applicable for solder process capability

Product Compliance Disclaimer

This information is provided based on reasonable inquiry of our suppliers and represents our current actual knowledge based on the information they provided. This information is subject to change. The part numbers that TE has identified as EU RoHS compliant have a maximum concentration of 0.1% by weight in homogenous materials for lead, hexavalent chromium, mercury, PBB, PBDE, DBP, BBP, DEHP, DIBP, and 0.01% for cadmium, or qualify for an exemption to these limits as defined in the Annexes of Directive 2011/65/EU (RoHS2). Finished electrical and electronic equipment products will be CE marked as required by Directive 2011/65/EU. Components may not be CE marked. Additionally, the part numbers that TE has identified as EU ELV compliant have a maximum concentration of 0.1% by weight in homogenous materials for lead, hexavalent chromium, and mercury, and 0.01% for cadmium, or qualify for an exemption to these limits as defined in the Annexes of Directive 2000/53/EC (ELV). Regarding the REACH Regulation, the information TE provides on SVHC in articles for this part number is based on the latest European Chemicals Agency (ECHA) 'Guidance on requirements for substances in articles' posted at this URL: <https://echa.europa.eu/guidance-documents/guidance-on-reach>

Compatible Parts



TE Part # 160597-4
 110 FASTON,REC.,30-26 AWG,TPBR



TE Part # 737107-1
 110 FASTON REC 20-17 AWG BR



TE Part # 151614-1
 110 MINI FASTON,REC.,24-20 AWG,
 PTBR



TE Part # 63202-2
 110 FASTON REC 18-14 AWG TPBR



TE Part # 444149-2
 .110S FASTON REC



TE Part # 180436-2
 110 FASTON,REC.,26-18 AWG,TPBR



TE Part # 151614-2
 110 MINI FASTON,REC.,24-20 AWG,BR



TE Part # 2-2150203-1
 OCEAN_2.0_APPLICATOR-E-070F120F




TE Part # 2-2150203-2
OCEAN_2.0_APPLICATOR-E-070F120FA



TE Part # 2150203-1
OCEAN_2.0_APPLICATOR-E-070F120F



TE Part # 2150203-2
OCEAN_2.0_APPLICATOR-E-070F120FA



TE Part # 7-2150203-1
OCEAN_2.0_APPLICATOR-E-070F120F



TE Part # 7-2150203-2
OCEAN_2.0_APPLICATOR-E-070F120FA




KIT
REPRESENTATION ONLY

TE Part # 7-2150203-7
OCEAN_2.0_SPARE_PART_KIT-070F120F




TE Part # 881608-2
.110 S. FASTON REC.

Also in the Series | **FASTON 110**




Crimp Terminal Housings(17)



Insertion & Extraction Tools(1)

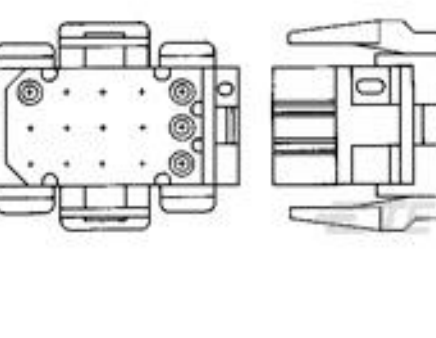


PCB Terminals(21)

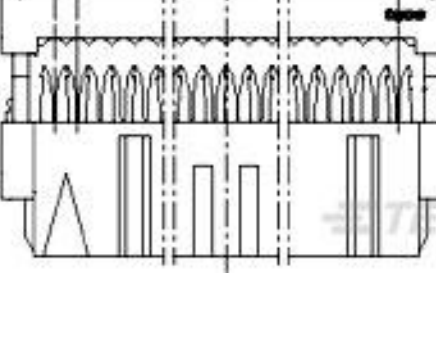


Quick Disconnects(173)


Customers Also Bought



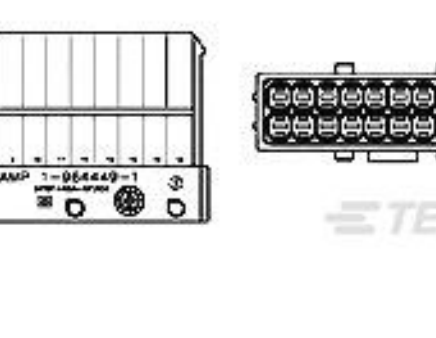
TE Part #1-640522-0
12P MR II PLUG HSG RED



TE Part #1-215919-0
AMP-LATCH 15.2 HIGH TAPE



TE Part #60850-2
187 FASTON REC 18-14 AWG TPBR



TE Part #1-964449-1
FLACHSTE-GEH2,8 16P



TE Part #175208-1
070 TAB CONTACT 16-20



TE Part #2103321-2
3p Inner Hsg. Split Hdr, Key B, HVA280



TE Part #160018-1
RING TONGUE 176 20-16 AWG 0.251 STNP



TE Part #5-1534796-8
AMP DUOPLUG 2,5 MARK II CONNECTOR



Documents

Product Drawings

110 FASTON,REC.,20-17 AWG,TPBR

English

CAD Files

3D PDF

3D

Customer View Model

ENG_CVM_CVM_160533-2_AG.2d_dxf.zip

English

Customer View Model

ENG_CVM_CVM_160533-2_AG.3d_igs.zip

English

Customer View Model

ENG_CVM_CVM_160533-2_AG.3d_stp.zip

English

By downloading the CAD file I accept and agree to the [Terms and Conditions](#) of use.

Datasheets & Catalog Pages

1654742_HOUSEHOLD_APPLIANCES_RAST5

English

Product Specifications

FASTON Receptacle Contacts, 110 Series

English

.110,.187 & 250 Series FASTON Terminals

English

Product Specification

English

Agency Approvals

UL Report

English