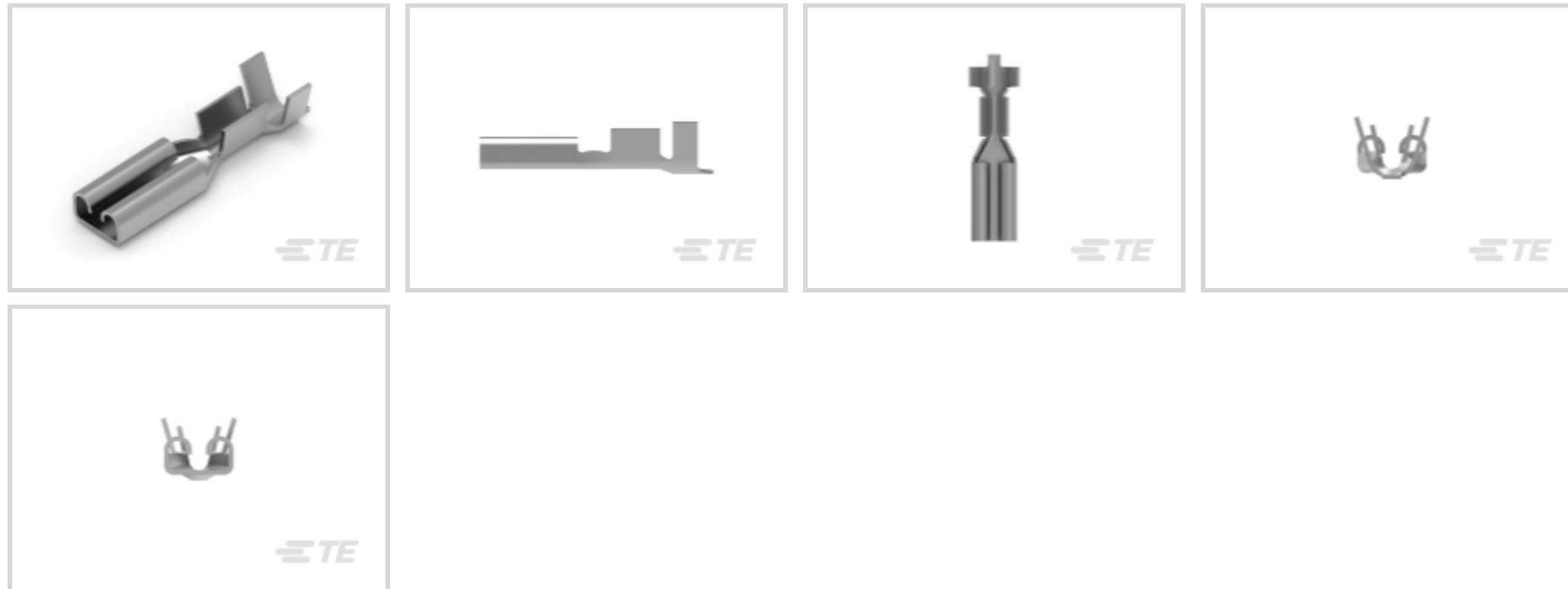




Terminals & Splices > Quick Disconnects



Quick Disconnect Terminal Type: **Receptacle**

Wire Size: .5 – 1 mm²

Mating Tab Width: 2.8 mm [.11 in]

Mating Tab Thickness: .81 mm [.032 in]

Features

Product Type Features

Terminates To	Wire & Cable
Wire/Cable Type	Regular Wire
Wire Stop	No
Insertion Force	Normal
Sealable	No

Configuration Features

Connection Capacity	Single
---------------------	--------

Electrical Characteristics

Voltage (Max)	250 V
---------------	-------

Contact Features

Quick Disconnect Terminal Type	Receptacle
Mating Tab Width	2.8 mm [.11 in]
Mating Tab Thickness	.81 mm [.032 in]
Terminal Orientation	Straight



Contact Base Material	Phosphor Bronze
Terminal Plating Material	Pre-Tin
Crimp Type	F-Crimp
Barrel Type	Open

Mechanical Attachment

Mating Retention Type	Dimple
Wire Insulation Support	With

Dimensions

Accepts Wire Insulation Diameter Range	2.01 – 3 mm [.079 – .118 in]
Receptacle Terminal Stock Thickness	.25 mm [.01 in]
Overall Length	14 mm [.551 in]
Wire Size	.5 – 1 mm ²

Usage Conditions

Insulation Option	Uninsulated
Operating Temperature Range	-40 – 110 °C [-40 – 230 °F]

Industry Standards

UL Flammability Rating	UL 94V-2
CSA Certified	Yes
UL Rating	Listed

Packaging Features

Packaging Quantity	10000
Packaging Method	Strip/Reel

Product Compliance

[For compliance documentation, visit the product page on TE.com>](#)

EU RoHS Directive 2011/65/EU	Compliant
EU ELV Directive 2000/53/EC	Compliant
China RoHS 2 Directive MIIT Order No 32, 2016	No Restricted Materials Above Threshold
EU REACH Regulation (EC) No. 1907/2006	Current ECHA Candidate List: JUNE 2022 (224) Candidate List Declared Against: JAN 2022 (223) SVHC > Threshold: Not Yet Reviewed



Halogen Content	Low Halogen - Br, Cl, F, I < 900 ppm per homogenous material. Also BFR/CFR/PVC Free
Solder Process Capability	Not applicable for solder process capability

Product Compliance Disclaimer

This information is provided based on reasonable inquiry of our suppliers and represents our current actual knowledge based on the information they provided. This information is subject to change. The part numbers that TE has identified as EU RoHS compliant have a maximum concentration of 0.1% by weight in homogenous materials for lead, hexavalent chromium, mercury, PBB, PBDE, DBP, BBP, DEHP, DIBP, and 0.01% for cadmium, or qualify for an exemption to these limits as defined in the Annexes of Directive 2011/65/EU (RoHS2). Finished electrical and electronic equipment products will be CE marked as required by Directive 2011/65/EU. Components may not be CE marked. Additionally, the part numbers that TE has identified as EU ELV compliant have a maximum concentration of 0.1% by weight in homogenous materials for lead, hexavalent chromium, and mercury, and 0.01% for cadmium, or qualify for an exemption to these limits as defined in the Annexes of Directive 2000/53/EC (ELV). Regarding the REACH Regulation, the information TE provides on SVHC in articles for this part number is based on the latest European Chemicals Agency (ECHA) 'Guidance on requirements for substances in articles' posted at this URL: <https://echa.europa.eu/guidance-documents/guidance-on-reach>

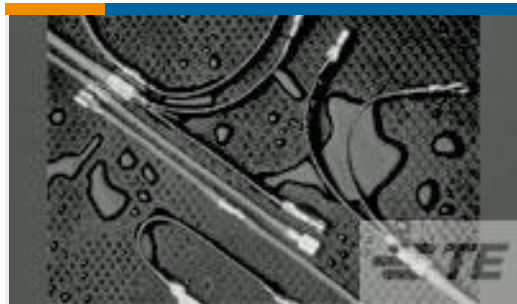
Compatible Parts

 TE Part # 737107-4 110 FASTON REC 20-17 AWG TPBR	 TE Part # 2-2150203-1 OCEAN_2.0_APPLICATOR-E-070F120F	 TE Part # 2-2150203-2 OCEAN_2.0_APPLICATOR-E-070F120FA	 TE Part # 2150203-1 OCEAN_2.0_APPLICATOR-E-070F120F
 TE Part # 2150203-2 OCEAN_2.0_APPLICATOR-E-070F120FA	 TE Part # 7-2150203-1 OCEAN_2.0_APPLICATOR-E-070F120F	 TE Part # 7-2150203-2 OCEAN_2.0_APPLICATOR-E-070F120FA	 TE Part # 7-2150203-7 OCEAN_2.0_SPARE_PART_KIT-070F120F

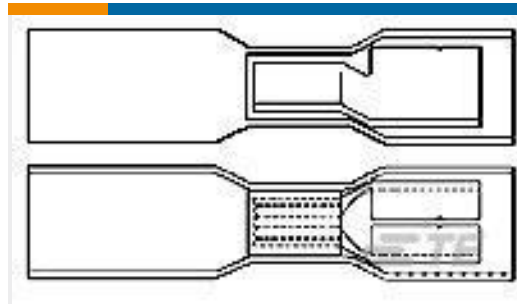
Also in the Series | FASTON 110

 Crimp Terminal Housings(17)	 Insertion & Extraction Tools(1)	 PCB Terminals(21)	 Quick Disconnects(173)
---------------------------------	-------------------------------------	-----------------------	----------------------------

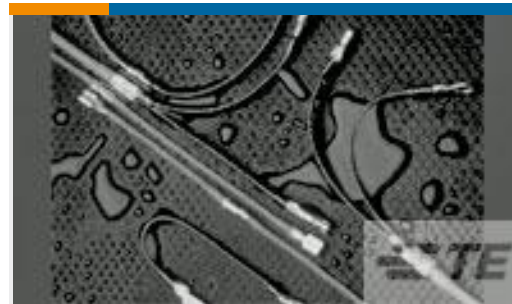
Customers Also Bought



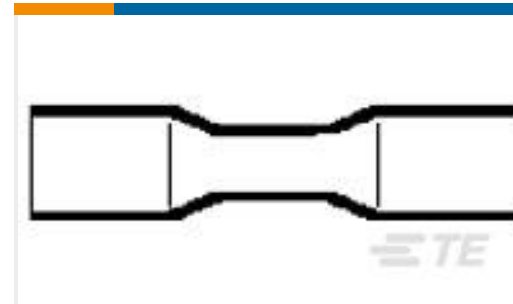
TE Part #CC2649-000
B-106-1803CS50



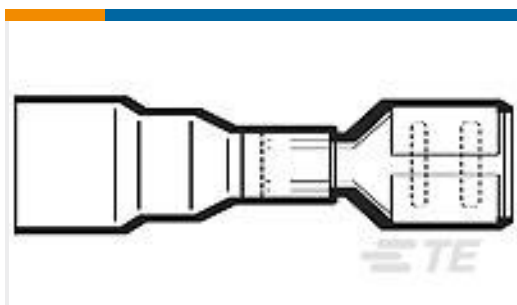
TE Part #CC2644-000
B-106-8502CS100



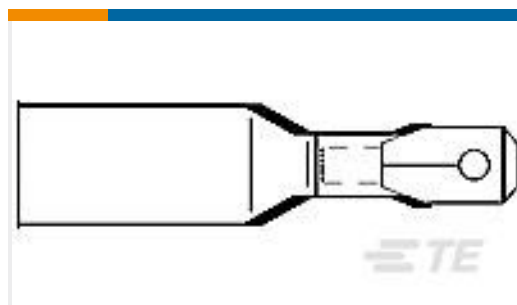
TE Part #CC2621-000
B-106-1501CS100



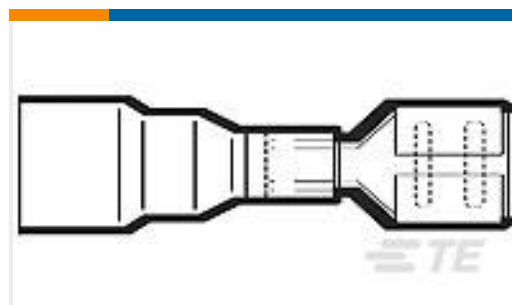
TE Part #CC2645-000
D-406-0003CS50



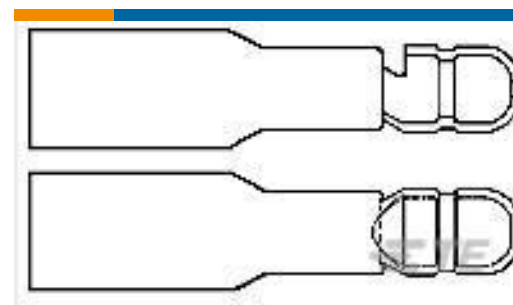
TE Part #CC2641-000
B-106-3632CS100



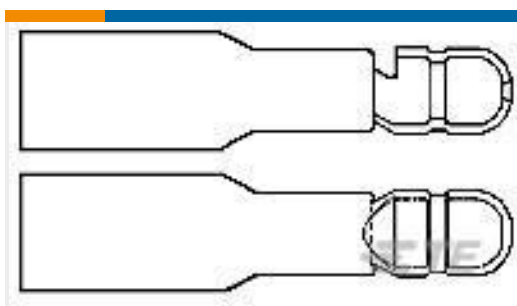
TE Part #CC2630-000
B-106-4631CS100



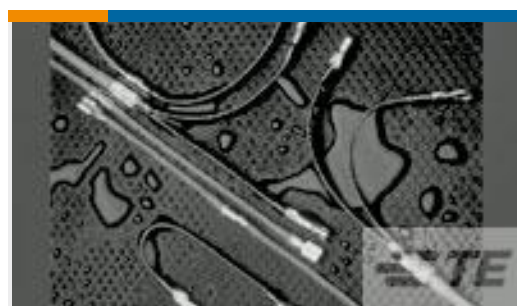
TE Part #CC2628-000
B-106-3631CS100



TE Part #CC2631-000
B-106-7401CS100



TE Part #CC2643-000
B-106-7502CS100



TE Part #CC2637-000
B-106-1802CS100

Documents

Product Drawings

110 FASTON,REC.,17-20 AWG,PTPHBZ

English

CAD Files

3D PDF

3D

Customer View Model

[ENG_CVM_CVM_160534-9_T.2d_dxf.zip](#)

English

Customer View Model

[ENG_CVM_CVM_160534-9_T.3d_igs.zip](#)

English

Customer View Model

[ENG_CVM_CVM_160534-9_T.3d_stp.zip](#)

English

By downloading the CAD file I accept and agree to the [Terms and Conditions](#) of use.



Product Specifications

Application Specification

English

Product Environmental Compliance

MD_160534-9_05172017620_dmtec

English

MD_160534-9_05172017620_dmtec

English

Agency Approvals

UL Report

English