



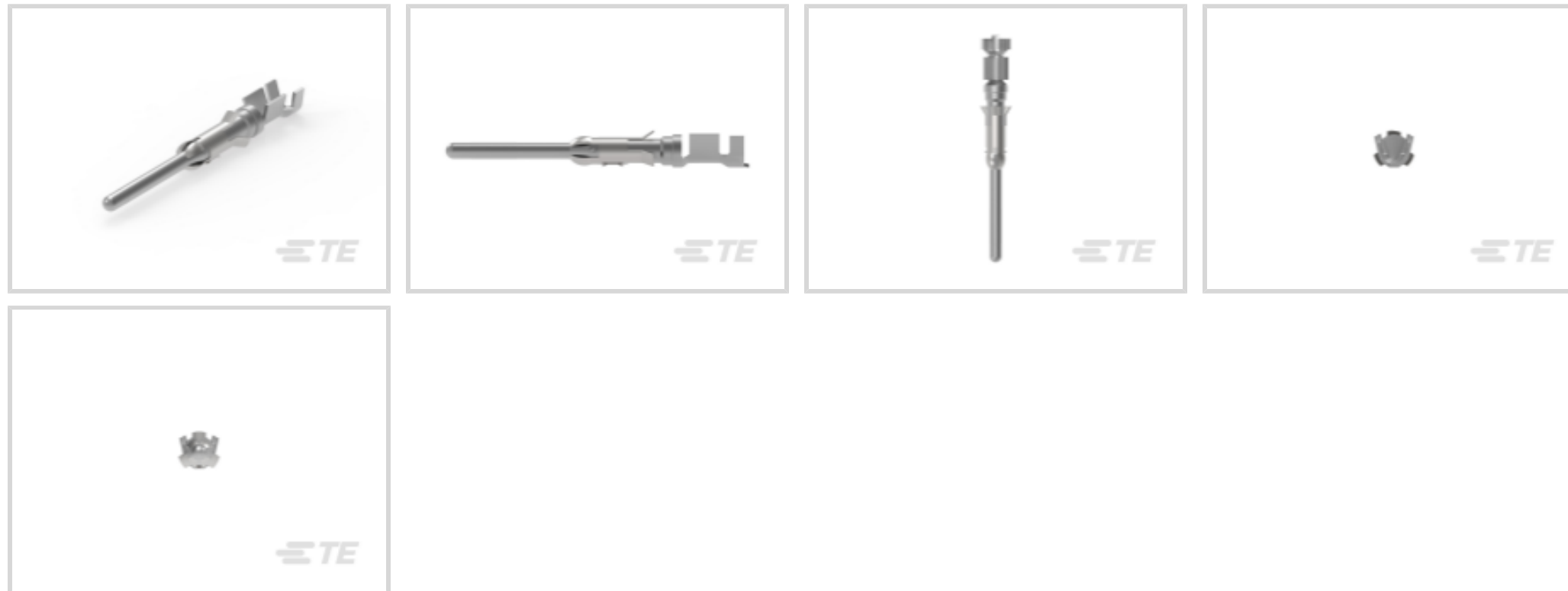
AMP | AMP Type III+

TE Internal #: 164161-3

Power Contacts, Contact, Tin, 18 – 16 AWG Wire Size, .8 – 1.4 mm² Wire Size, Wire & Cable, Crimp, Power & Signal, Pin, AMP Type III+

[View on TE.com >](#)

Connectors > Power Connectors > Power Contacts > TYPE III CONTACTS STRIP



Power Contact Type: **Contact**

Contact Mating Area Plating Material: **Tin**

Wire Size: **.8 – 1.4 mm²**

Connector & Contact Terminates To: **Wire & Cable**

[All TYPE III CONTACTS STRIP \(55\)](#)

Features

Product Type Features

Power Contact Type	Contact
Connector & Contact Terminates To	Wire & Cable

Electrical Characteristics

Test Current	13 A
--------------	------

Contact Features

Contact Mating Area Plating Material	Tin
Contact Current Rating (Max)	13 A
Contact Type	Pin
Contact Retention Within Housing	With
Mating Pin Diameter	1.57 mm[.062 in]
Contact Base Material	Brass
Contact Mating Area Plating Material Thickness	1.02 μm[40 μin]
Contact Mating Area Plating Material Finish	Bright
Wire Contact Termination Area Plating Thickness	1.02 μm[40 μin]



Wire Contact Termination Area Plating Material	Tin
Wire Contact Termination Area Plating Material Finish	Bright
Contact Orientation	Straight
Contact Underplating Material	Nickel
Contact Underplating Material Thickness	1.27 μm[50 μin]
Contact Size	16

Termination Features

Termination Method to Wire & Cable	Crimp
------------------------------------	-------

Mechanical Attachment

Contact Retention Type Within Housing	Snap-In
Wire Insulation Support	With

Dimensions

Wire Size	.8 – 1.4 mm ²
Accepts Wire Insulation Diameter Range	2 – 2.5 mm[.078 – .098 in]

Usage Conditions

Operating Temperature Range	-55 – 90 °C[-67 – 194 °F]
-----------------------------	---------------------------

Operation/Application

Circuit Application	Power & Signal
---------------------	----------------

Identification Marking

Color Code	Blue
------------	------

Packaging Features

Packaging Method	Reel
Packaging Quantity	5000

Other

Wire Type	Regular Wire
For Use With	CPC Series 1 and 4 Connectors, G Series, M Series, Metrimate Drawer, Metrimate, Special M Series
Comment	Leading Pin (1.8mm longer than standard pins), Overall insulation crimp diameter, including crimp barrel, must not exceed 3.18 [.125].

Product Compliance

[For compliance documentation, visit the product page on TE.com>](#)

EU RoHS Directive 2011/65/EU	Compliant
EU ELV Directive 2000/53/EC	Compliant
China RoHS 2 Directive MIIT Order No 32, 2016	No Restricted Materials Above Threshold
EU REACH Regulation (EC) No. 1907/2006	Current ECHA Candidate List: JUNE 2022 (224) Candidate List Declared Against: JAN 2022 (223) SVHC > Threshold: Not Yet Reviewed
Halogen Content	Low Halogen - Br, Cl, F, I < 900 ppm per homogenous material. Also BFR/CFR/PVC Free
Solder Process Capability	Not applicable for solder process capability

Product Compliance Disclaimer

This information is provided based on reasonable inquiry of our suppliers and represents our current actual knowledge based on the information they provided. This information is subject to change. The part numbers that TE has identified as EU RoHS compliant have a maximum concentration of 0.1% by weight in homogenous materials for lead, hexavalent chromium, mercury, PBB, PBDE, DBP, BBP, DEHP, DIBP, and 0.01% for cadmium, or qualify for an exemption to these limits as defined in the Annexes of Directive 2011/65/EU (RoHS2). Finished electrical and electronic equipment products will be CE marked as required by Directive 2011/65/EU. Components may not be CE marked. Additionally, the part numbers that TE has identified as EU ELV compliant have a maximum concentration of 0.1% by weight in homogenous materials for lead, hexavalent chromium, and mercury, and 0.01% for cadmium, or qualify for an exemption to these limits as defined in the Annexes of Directive 2000/53/EC (ELV). Regarding the REACH Regulation, the information TE provides on SVHC in articles for this part number is based on the latest European Chemicals Agency (ECHA) 'Guidance on requirements for substances in articles' posted at this URL: <https://echa.europa.eu/guidance-documents/guidance-on-reach>

Compatible Parts

			
<p>TE Part # CAT-AM71-C83998C CMC SERIES 1</p>	<p>TE Part # CAT-AM71-C83998Y CPC SERIES 1 SEALED ONE-PIECE</p>	<p>TE Part # CAT-AM71-C83998J CPC SERIES 1</p>	<p>TE Part # CAT-AM71-C83998K CPC SERIES 6</p>

TE Part # 58495-2
PROCRIMPER DIE ASSY MULTIMATE

TE Part # 91505-1
CCII TYPE III+ 24-16 ASSY

TE Part # 200893-2
INSERTION TOOL CONT

TE Part # 58495-1
PRO CRIMPER ASSY MULTIMATE

TE Part # 539972-1
EXTRACTION TOOL

TE Part # 305183
EXTRACT TOOL TYPE 2 20-16

TE Part # 2305570-1
TERMINAL CUTTER, SIDE FEED

TE Part # 2151023-1
OCEAN_2.0_Applicator-S-080F1200

TE Part # 2-2151023-1
OCEAN_2.0_Applicator-S-080F1200

TE Part # 2-2151023-2
OCEAN_2.0_Applicator-S-080F1200

TE Part # 2151023-2
OCEAN_2.0_Applicator-S-080F1200

TE Part # 5-2151023-1
OCEAN_2.0_Applicator-S-080F1200

TE Part # 5-2151023-2
OCEAN_2.0_Applicator-S-080F1200

TE Part # 7-2151023-1
OCEAN_2.0_Applicator-S-080F1200

TE Part # 7-2151023-2
OCEAN_2.0_Applicator-S-080F1200

TE Part # 7-2151023-7
OCEAN_2.0_SPARE_PART_KIT-080F1200

Also in the Series | AMP Type III+

Insertion & Extraction Tools(4)

Power Contacts(414)

Customers Also Bought



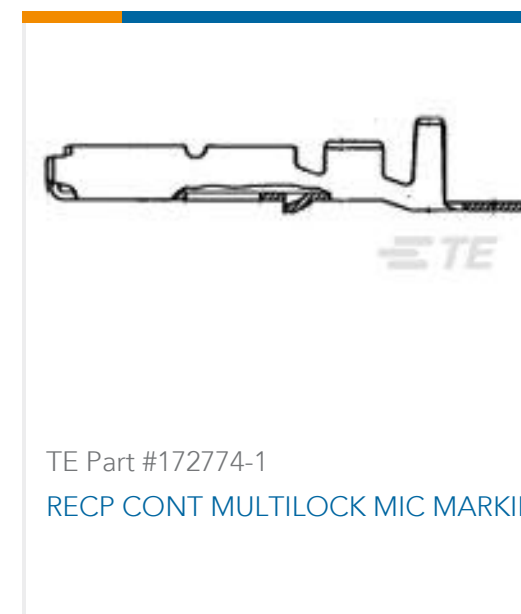
TE Part #1-968700-1
MQS, CONNECTOR HOUSING



TE Part #1-794617-4
14POS,MICRO MNL,RCPT HSG



TE Part #DT06-12SD
PLG, 12P, BRN, N, D



TE Part #172774-1
RECP CONT MULTILOCK MIC MARKII



TE Part #1-174961-1
070 MLC CAP ASSY V 30P



TE Part #1718488-1
AMP MCP 2.8 RECEPT HSG 7 POS



TE Part #1062-16-0722
SOC, SF, SIZE 16, 14-18, NI/SN



TE Part #1-1534097-1
MQS COVER 2X8P

Documents

Product Drawings

M-SRS.PIN BODY 3+

English

CAD Files

3D PDF

3D

Customer View Model

[ENG_CVM_CVM_164161-3_U.2d_dxf.zip](#)

English

Customer View Model

[ENG_CVM_CVM_164161-3_U.3d_igs.zip](#)

English

Customer View Model

[ENG_CVM_CVM_164161-3_U.3d_stp.zip](#)

English

By downloading the CAD file I accept and agree to the [Terms and Conditions](#) of use.

Datasheets & Catalog Pages

AMP Circular Connectors for Commercial Signal & Power Applications

English

Signal Contacts

English

M_SERIES_PIN_AND_SOCKET_CONNECTORS

English

Product Specifications



[Product Specification](#)

English

[Product Environmental Compliance](#)

[TE Material Declaration](#)

English