



Terminals & Splices > Quick Disconnects



Quick Disconnect Terminal Type: **Receptacle**

Wire Size: .51 – 1.65 mm<sup>2</sup>

Mating Tab Width: 2.8 mm [.11 in]

Mating Tab Thickness: .81 mm [.032 in]

## Features

### Product Type Features

|                 |              |
|-----------------|--------------|
| Terminates To   | Wire & Cable |
| Wire Stop       | No           |
| Wire/Cable Type | Regular Wire |
| Insertion Force | Normal       |
| Sealable        | No           |

### Configuration Features

|                     |        |
|---------------------|--------|
| Connection Capacity | Single |
|---------------------|--------|

### Contact Features

|                                |                  |
|--------------------------------|------------------|
| Quick Disconnect Terminal Type | Receptacle       |
| Mating Tab Width               | 2.8 mm [.11 in]  |
| Mating Tab Thickness           | .81 mm [.032 in] |
| Terminal Orientation           | Straight         |
| Contact Base Material          | Phosphor Bronze  |
| Terminal Plating Material      | Pre-Tin          |
| Crimp Type                     | F-Crimp          |



|             |      |
|-------------|------|
| Barrel Type | Open |
|-------------|------|

### Mechanical Attachment

|                         |         |
|-------------------------|---------|
|                         | .038 in |
| Mating Retention Type   | Dimple  |
| Wire Insulation Support | With    |

### Dimensions

|  |                                |
|--|--------------------------------|
| Accepts Wire Insulation Diameter Range | 2.01 – 3.1 mm [.079 – .122 in] |
| Overall Length                         | 14 mm [.551 in]                |
| Receptacle Terminal Stock Thickness    | .25 mm [.01 in]                |
| Wire Size                              | .51 – 1.65 mm <sup>2</sup>     |

### Usage Conditions

|                             |                             |
|-----------------------------|-----------------------------|
| Insulation Option           | Uninsulated                 |
| Operating Temperature Range | -40 – 110 °C [-40 – 230 °F] |

### Packaging Features

|                    |            |
|--------------------|------------|
| Packaging Quantity | 1000       |
| Packaging Method   | Strip/Reel |

### Other

|         |                                |
|---------|--------------------------------|
| Comment | According to DIN 46340, Part 1 |
|---------|--------------------------------|

## Product Compliance

[For compliance documentation, visit the product page on TE.com>](#)

|   |  |
|---|--|
| EU RoHS Directive 2011/65/EU                  | Compliant  |
| EU ELV Directive 2000/53/EC                   | Compliant  |
| China RoHS 2 Directive MIIT Order No 32, 2016 | No Restricted Materials Above Threshold  |
| EU REACH Regulation (EC) No. 1907/2006        | Current ECHA Candidate List: JUNE 2022 (224)<br>Candidate List Declared Against: JAN 2022 (223)<br>SVHC > Threshold:<br>Not Yet Reviewed |
| Halogen Content                               | Low Halogen - Br, Cl, F, I < 900 ppm per homogenous material. Also BFR/CFR/PVC Free  |
| Solder Process Capability                     | Not applicable for solder process capability   |

Product Compliance Disclaimer

This information is provided based on reasonable inquiry of our suppliers and represents our current actual knowledge based on the information they provided. This information is subject to change. The part numbers that TE has identified as EU RoHS compliant have a maximum concentration of 0.1% by weight in homogenous materials for lead, hexavalent chromium, mercury, PBB, PBDE, DBP, BBP, DEHP, DIBP, and 0.01% for cadmium, or qualify for an exemption to these limits as defined in the Annexes of Directive 2011/65/EU (RoHS2). Finished electrical and electronic equipment products will be CE marked as required by Directive 2011/65/EU. Components may not be CE marked. Additionally, the part numbers that TE has identified as EU ELV compliant have a maximum concentration of 0.1% by weight in homogenous materials for lead, hexavalent chromium, and mercury, and 0.01% for cadmium, or qualify for an exemption to these limits as defined in the Annexes of Directive 2000/53/EC (ELV). Regarding the REACH Regulation, the information TE provides on SVHC in articles for this part number is based on the latest European Chemicals Agency (ECHA) 'Guidance on requirements for substances in articles' posted at this URL: <https://echa.europa.eu/guidance-documents/guidance-on-reach>

## Compatible Parts



TE Part # 2150017-1  
OCEAN\_2.0\_Applicator-E-070F130F



**KIT**  
REPRESENTATION ONLY

TE Part # 7-2150017-7  
OCEAN\_2.0\_SPARE\_PART\_KIT-070F130F



TE Part # 2-2150017-1  
OCEAN\_2.0\_Applicator-E-070F130F



TE Part # 2-2150017-2  
OCEAN\_2.0\_Applicator-E-070F130F



TE Part # 2150017-2  
OCEAN\_2.0\_Applicator-E-070F130F




TE Part # 7-2150017-1  
OCEAN\_2.0\_Applicator-E-070F130F

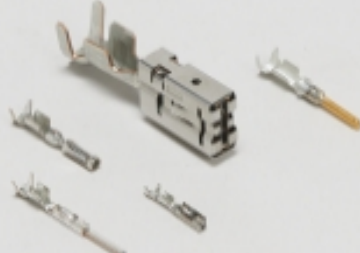


TE Part # 7-2150017-2  
OCEAN\_2.0\_Applicator-E-070F130F


## Also in the Series | FASTIN-FASTON 110




Automotive Housings(1)



Automotive Terminals(4)



Crimp Terminal Housings(34)



Insertion & Extraction Tools(3)



Quick Disconnects(83)

## Customers Also Bought



TE Part #160655-4  
FF 110 REC TERMINAL 20-15 AWG  
PTPPB



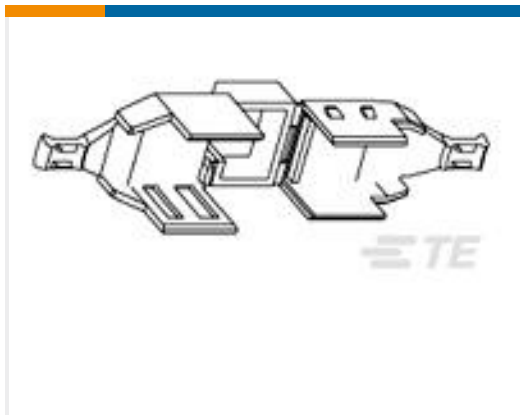
TE Part #160691-5  
FF 250 TAB 22-18AWG BR SILVER  
PLATED



TE Part #4-2176325-0  
CRGP 0402 18K 1%



TE Part #3-2176325-6  
CRGP 0402 8K2 1%



TE Part #1375618-1  
06P DUAC STRAIN RELIEF



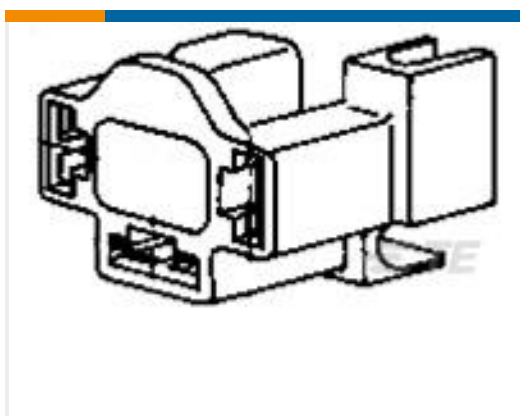
TE Part #1-964298-3  
TAB A 2.8x0.8 CONTACT CS SWS Au



TE Part #9858174004  
ATUM-16/4-2-SP



TE Part #926728-1  
FF 110 REC HSG 4P NYLON BLACK



TE Part #925176-5  
FF 312 3P HOUSING REC POLYAMID  
6.6 BLACK



TE Part #925014  
2 P FF 110(2.8 MM) HOUSING  
RECEPTACLE

## Documents

### Product Drawings

[FASTON 110 REC 20-15 AWG PTPB](#)

English

### CAD Files

[3D PDF](#)

[3D](#)

### Customer View Model

[ENG\\_CVM\\_CVM\\_160655-2\\_AJ.2d\\_dxf.zip](#)



English

**Customer View Model**

[ENG\\_CVM\\_CVM\\_160655-2\\_AJ.3d\\_igs.zip](#)

English

**Customer View Model**

[ENG\\_CVM\\_CVM\\_160655-2\\_AJ.3d\\_stp.zip](#)

English

By downloading the CAD file I accept and agree to the [Terms and Conditions](#) of use.

---

**Product Specifications**

[EB\\*\\*General Application Specification for Open Barrel Terminals](#)

English

[Application Specification](#)

English

---

**Product Environmental Compliance**

[MD\\_160655-2\\_03032018116\\_dmtec](#)

English

[MD\\_160655-2\\_03032018116\\_dmtec](#)

English

---

**Agency Approvals**

[UL Report](#)

English