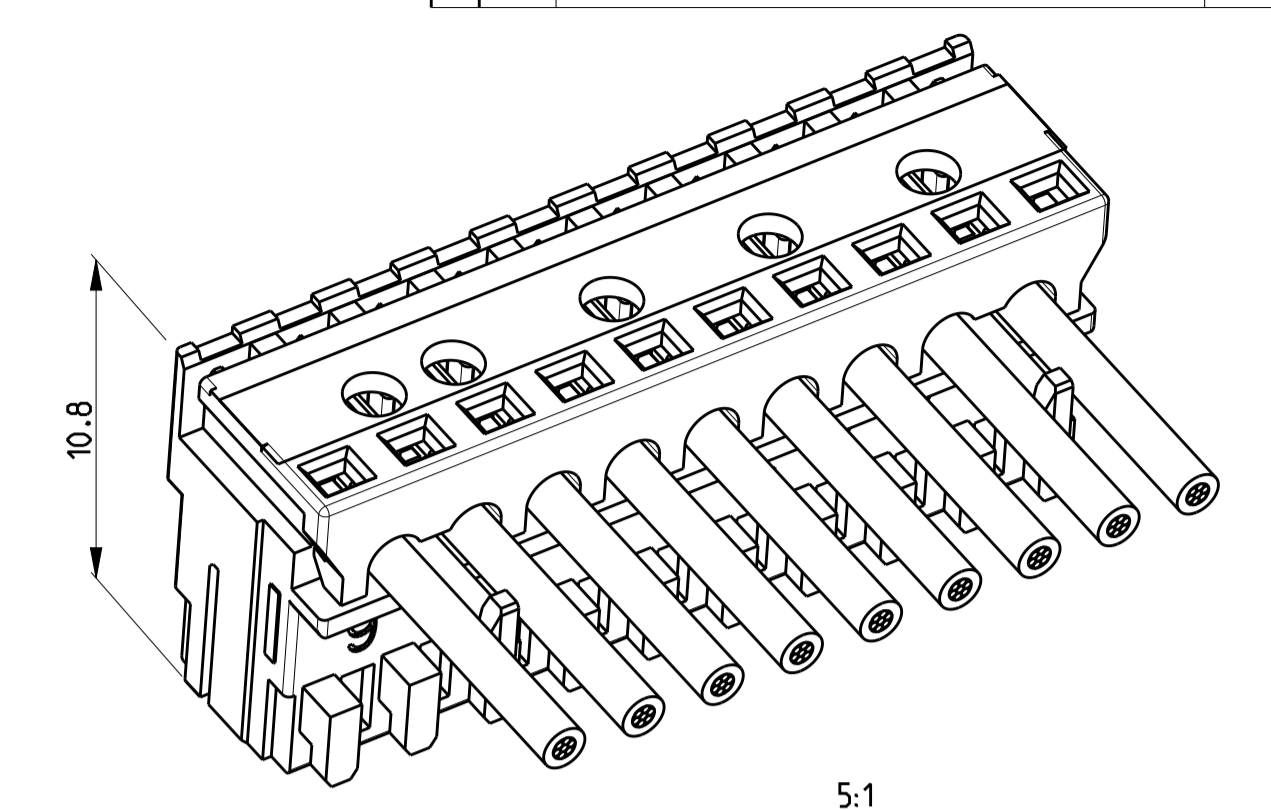
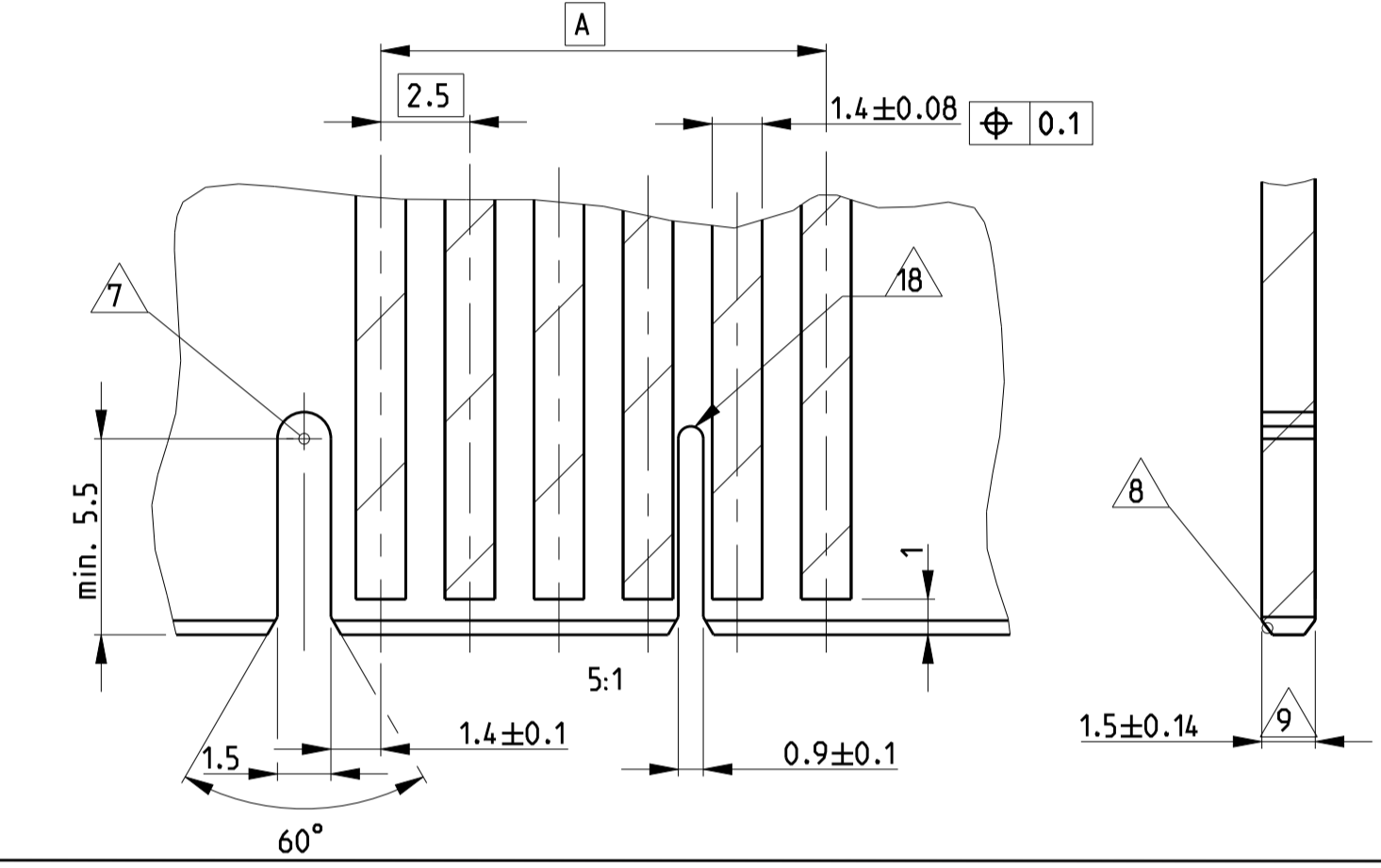


- 27 DIMENSION AVAILABE FOR PART X-2304525-X, X-2304526-X.
- 26 WITH SPECIAL CHAIN FEATURE
- 25 SIDE KEYING ON LAST CAVITY THICKNESS=1.5mm
- 24 SIDE KEYING ON CAVITY 1 THICKNESS=1.5mm
- 19 COLOR MARKING IN THIS AREA, NOT THE COLOR OF HOUSING. COLOR SEE COLOR CODE IN TABLE.
- 18 SLOT, THICK, BETWEEN CAVITIES
- 17 KEYING, THICK, BETWEEN POSITION
- 16 SLOT, SLIM, FOR SIDE KEYING, LAST CAVITY Schlitz,duenn, an letzte Kammer
- 15 SLOT, SLIM, FOR SIDE KEYING, SIDE CAVITY 1 Schlitz,duenn, fuer Seitenkodierung
- 14 SIDE KEYING, SLIM, ON LAST CAVITY Seitenkodierung, duenn, an letzte Kammer
- 13 SIDE KEYING, SLIM, ON CAVITY 1 Seitenkodierung, duenn, an Kammer 1
- 12 KEYING SLIM BETWEEN POSITIONS
- 11 PRELIMINARY PART NOT RELEASED FOR PRODUCTION
- 10 TE LOGO
- 9 INCLUSIVE COPPER LOADING Inklusive Kupferkaschierung
- 8 PCB PREFERABLY CHAMFERED Leiterplatte vorzugsweise angefast
- 7 SLOT, THICK, FOR SIDE KEYING Schlitz,dick, fuer Seitenkodierung
- 6 SIDE KEYING, THICK, ON LAST CAVITY Seitenkodierung, dick, an letzte Kammer
- 5 WIRE RANG: 0.22-0.35mm² SEE APPLICATION SPEC. 114-18467 Drahtgroessenbereich: 0.22-0.35mm² siehe Verarbeitungsspec. 114-18467
- 4 IEC 60695-2-11 / IEC 60335-1 GLOW WIRE TEST 750 °C WITHOUT FLAME IEC 60695-2-11 / IEC 60335-1 Gluehdrahttest 750 °C ohne Flamme
- 3 X..CAVITY LOADED WITH CONTACT O..CAVITY WITHOUT CONTACT X..Kammer mit Kontakt bestueckt O..Kammer ohne Kontakt
- 2 MATING PART: PCB (WITH FRAMES ACC. RAST 2.5 E.G. PN 964 575/576 TABHEADER PN 829 866/867 Passender Gegenstecker: Leiterplatten (mit Rahmen nach RAST 2.5 z.B. 964 575/576) Tabwannen Nr. 829 866/867
- 1 KEYING RIBS: CUTTING WITH TERMINATION MACHINE POSSIBLE Kodierrippe; Schneiden auf der Verarbeitungsmaschine moeglich

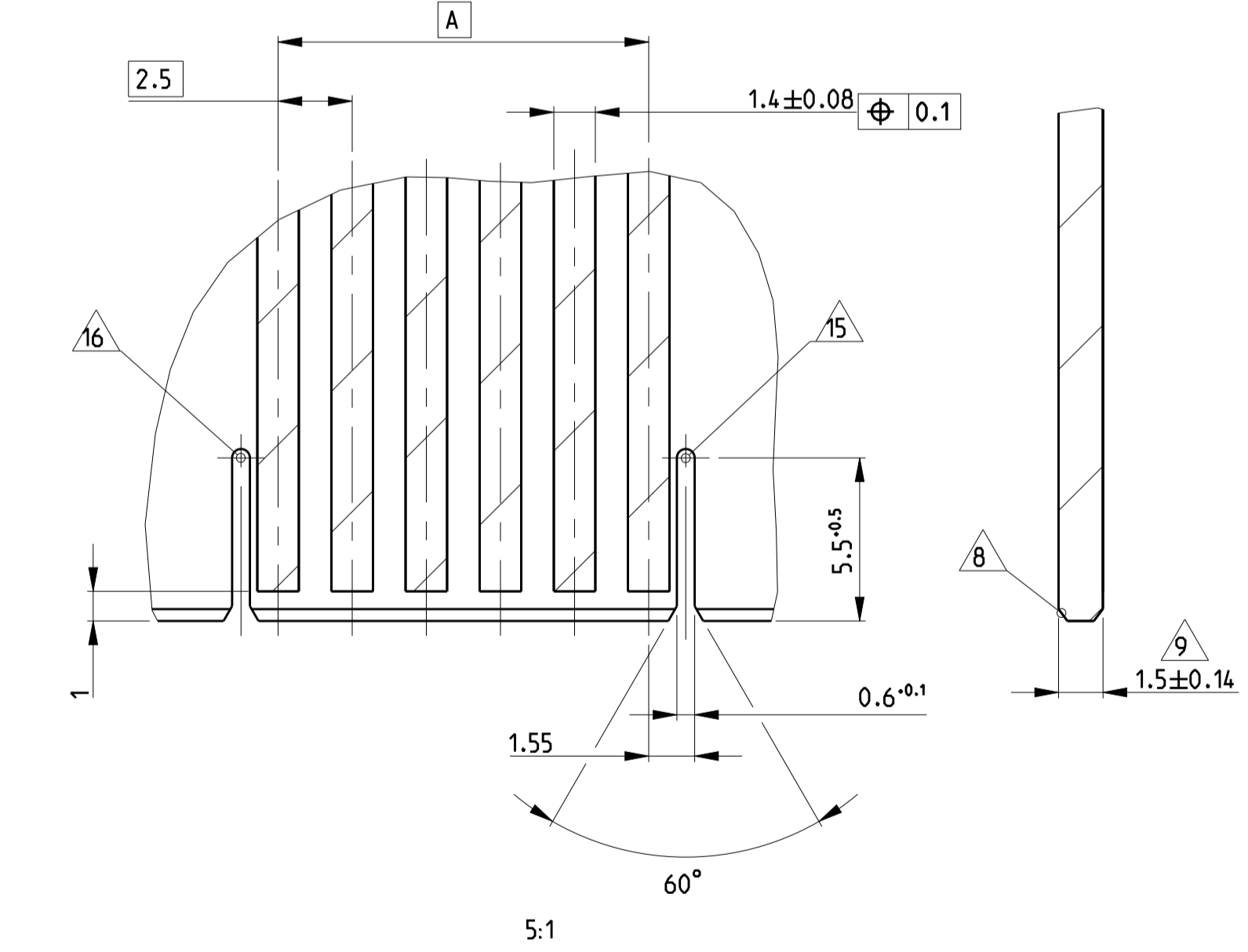
LOC	DIST	REVISIONS					
A1	-	P	LTR	DESCRIPTION	DATE	DWN	APVD
		D34	ECR-18-008947		11 JUN 2018	W W	FL
		D35	ECR-18-009059		12 JUN 2018	W W	FL
		D36	ECR-18-011242		18 JUL 2018	L Z	FL



PCB LAYOUT KEYED / CONNECTED ONLY WITH ADDITIONAL FRAME (THICK KEYING)
Leiterplattenanschluss kodiert / nur in Verbindung mit zusaeztlichem Rahmen



PCB LAYOUT KEYED / CONNECTED ONLY WITH ADDITIONAL FRAME (SLIM KEYING)
Leiterplattenanschluss kodiert / nur in Verbindung mit zusaeztlichem Rahmen



OTHER NOTE SEE SHEET 3 OF 3.

THIS DRAWING IS A CONTROLLED DOCUMENT.		DWN: H. Karabiyik 24MAY2002		TE Connectivity	
DIMENSIONS: mm		CHE: B. Schnaubel 24MAY2002		NAME: AMP DUOPLUG 2.5 MARK II FEMALE CONNECTOR 3-20 POSITION SELECTIVE LOADED	
TOLERANCES UNLESS OTHERWISE SPECIFIED:		APVD: T. Klenner 24MAY2002	PRODUCT SPEC: 108-18785		
0 PLC ±0.2		APPLICATION SPEC: 114-18467			
1 PLC ±0.2		WEIGHT: -			
2 PLC ±0.2		SCALE: 10:1			
3 PLC ±0.2		SHEET 1 OF 3			
4 PLC ±0.2		REVISION: 036			
ANGLES FINISH		Customer Drawing			

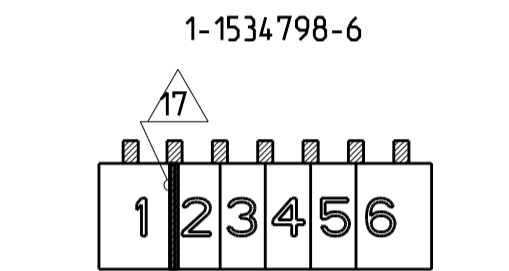
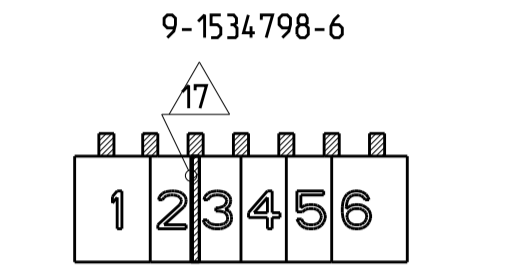
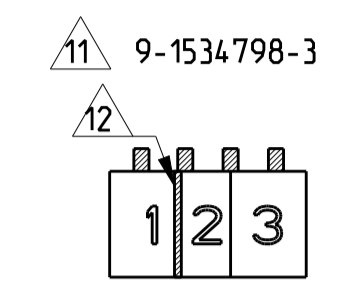
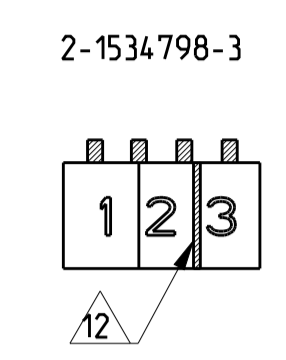
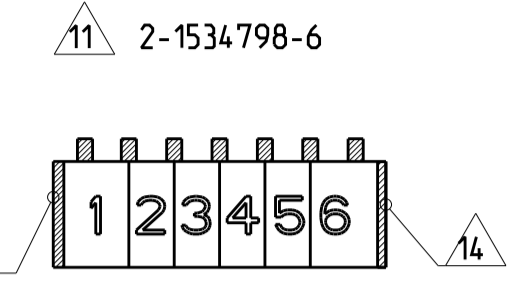
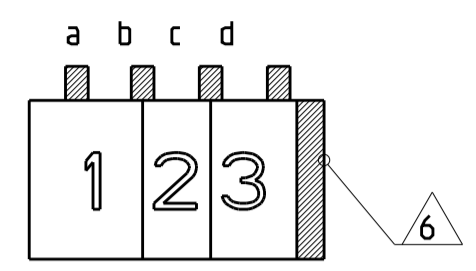
POS.	PN Bestell-Nr.	DESCRIPTION Beschreibung	MATERIAL	COLOUR/FINISH Farbe/Oberflaeche
2	SEE TABLE	CONTACT/Kontakt	CuSn	TINNED/verzinkt
1	siehe Tabelle	HOUSING/Federleistengenh.	HIGH TEMP PLASTIC	NATUR/Natur

LOC	DIST	P	LTR	REVISIONS	DATE	DWN	APVD
A1	-			SEE SHEET 1			

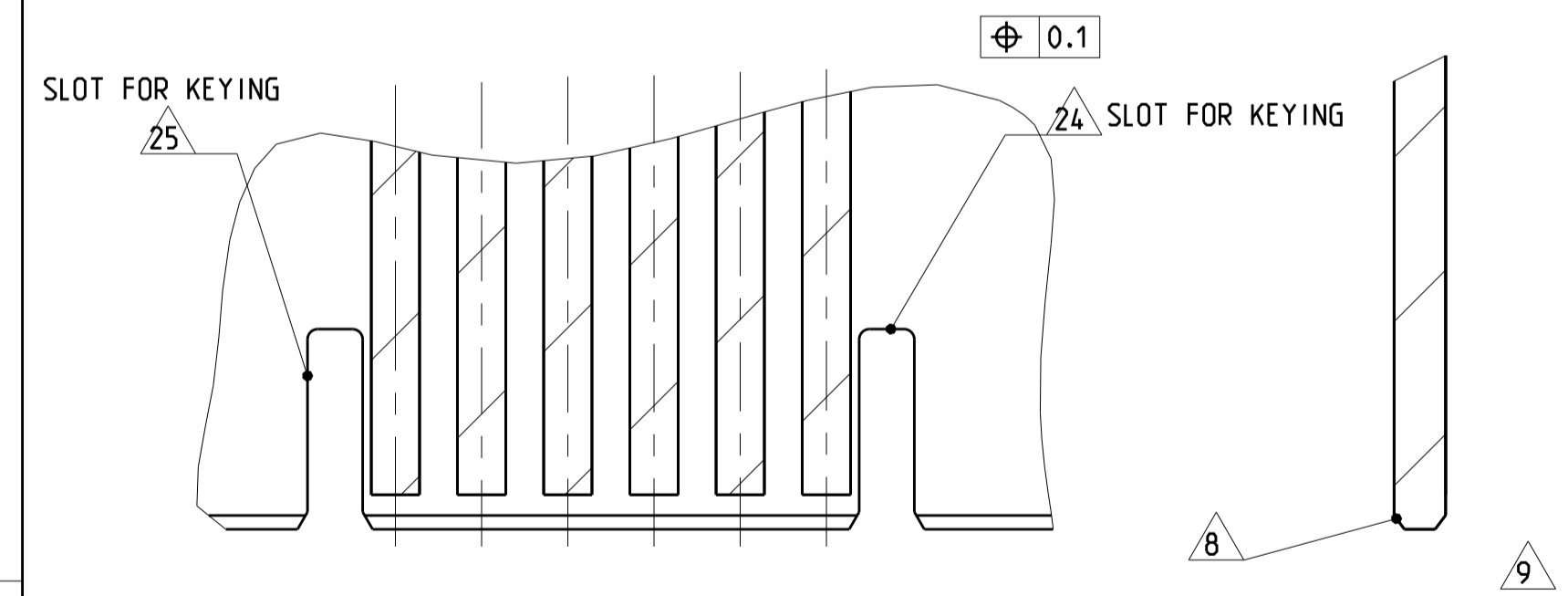
KEYING PLAN

Kodierschema

4-1534798-3



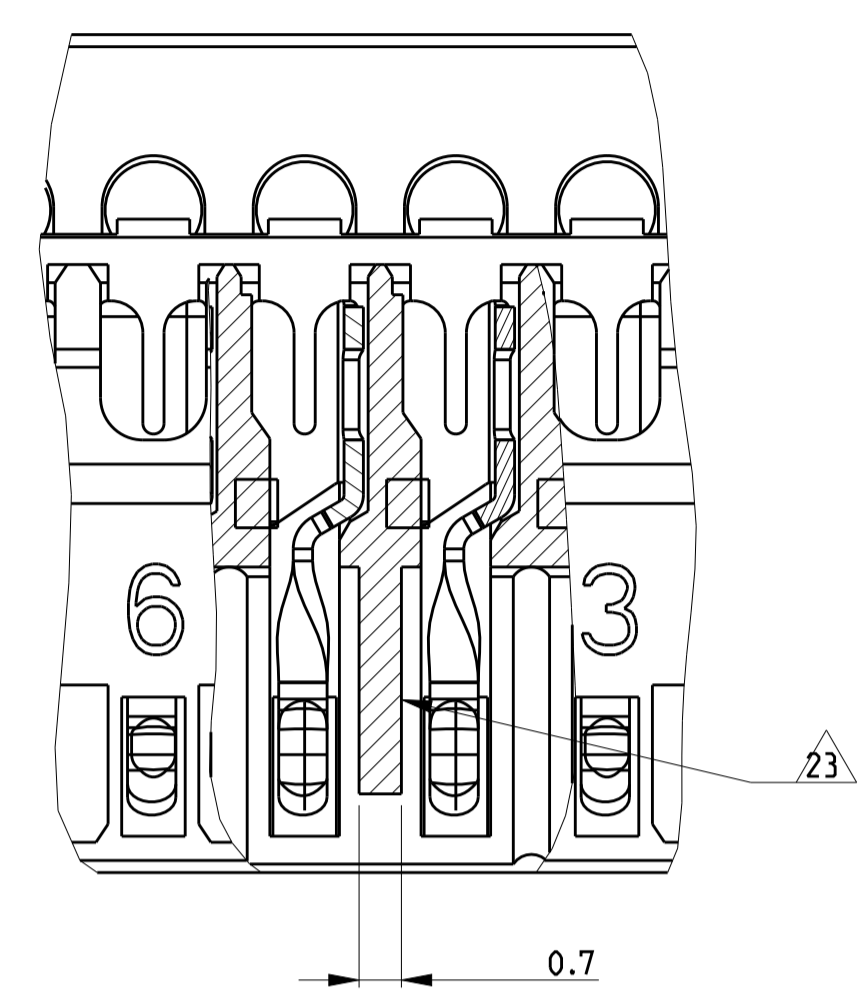
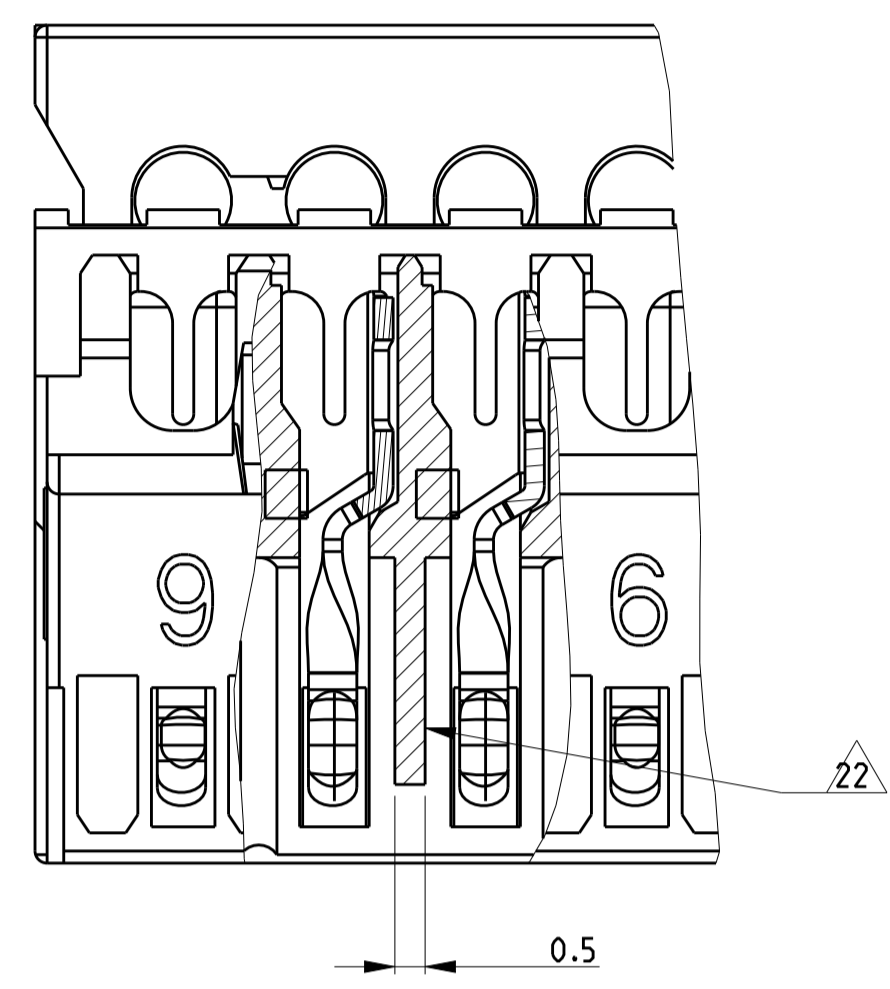
PCB LAYOUT KEYED / CONNECTED ONLY WITH ADDITIONAL FRAME (KEYING THICKNESS-1.5mm)



5:1

Color Code	20	19	18	17	16	15	14	13	12	11	10	9	8	7	6	5	4	3	2	1	POS. Polzahl	DIM A	DIM B	25	24	17	12	14	13	6	PN Bestell-Nr.		
		X	0	X	0	X	0	X	0	X	0	X	0	X	0	X	0	X	0	X	19	45	49.9								1-1534799-9		
			X	0	X	0	X	0	X	0	X	0	X	0	X	0	X	0	X	0	17	40	44.9								1534799-7 / 11		
				X	0	X	0	X	0	X	0	X	0	X	0	X	0	X	0	15	35	39.9									1-1534799-5		
					X	X	0	0	0	X	X	X	X	X	X	X	X	X	X	13	30	34.9								4-1534799-3 / 11			
					X	0	X	0	X	0	X	0	X	0	X	0	X	0	X	13											3-1534799-3		
					X	X	X	X	0	X	0	X	0	X	0	X	0	X	0	12	27.5	32.4									1-1534799-2 / 11		
					X	X	X	X	0	X	0	X	0	X	0	X	0	X	0	12											2-1534799-2 / 11		
Black					X	0	X	0	0	0	X	0	X	0	X	0	X	0	X	11	25	29.9									5-1534799-1		
					X	0	X	X	X	X	X	X	X	0	X	X				11											4-1534799-1		
					X	0	X	0	X	0	X	0	X	0	X	0	X	0	X	11												3-1534799-1	
					X	0	X	0	X	0	0	0	X	X					11												2-1534799-1		
					X	0	X	0	X	0	X	0	X	0	X	0	X	0	X	10	22.5	27.4										5-1534798-0	
					X	0	X	X	0	X	0	X	0	X	0	X	0	X	0	10												4-1534798-0 / 11	
					X	X	X	0	X	0	X	0	X	X					10													3-1534798-0	
					X	X	X	0	X	0	X	0	X	X					10													2-1534798-0	
					X	0	X	0	0	X	X	X	X						9	20	24.9											7-1534798-9	
					X	0	X	X	X	X	X	X	0						9													6-1534798-9	
					X	0	X	X	0	X	0	X	0	X					9													5-1534798-9	
					X	0	X	X	0	X	0	X	X						9													4-1534798-9	
					X	0	X	0	X	0	X	0	X						9													3-1534798-9	
					X	0	X	0	X	X	X	X							8	17.5	22.4											9-1534798-8	
					X	X	0	X	X	X	0	X							8													8-1534798-8	
					X	0	X	X	X	X	X								8													7-1534798-8	
					X	X	X	X	X	X	0	X							8													6-1534798-8	
					X	X	X	X	0	X	0	X							8													5-1534798-8	
					X	X	0	0	0	X	X	X							8													4-1534798-8	
					X	X	X	0	0	0	X	X							8													3-1534798-8	
Black					X	0	X	0	X	0	X	0	X						7	15	19.9											6-1534798-7	
					X	0	X	0	0	0	0	X							7													5-1534798-7	
					X	0	X	X	X	X	X	X							7														4-1534798-7 / 11
					X	0	X	0	X	0	X								7														3-1534798-7
Black					X	0	X	X	0	X									6	12.5	17.4											2-1534798-6 / 11	
Red					X	0	X	X	0	X									6													1-1534798-6	
					X	0	X	X	0	X									6													9-1534798-6	
					X	X	X	0	X	X									6													8-1534798-6	
					X	X	X	0	X	X									6													7-1534798-6	
					0	X	X	X	0	X									6													6-1534798-6	
					X	0	X	X	0	X									6													5-1534798-6	
					X	0	X	X	0	X									6													2314657-6 / 11	
					X	0	X	X	0	X									6													1-2314657-6 / 11	
					0	0	0	X	0	X									6													4-1534798-6	
					X	X	0	X	0	X									6													3-1534798-6	
Brown					X	0	X	0	X										5	10	14.9											8-1534798-5 / 11	
					X	0	X	0	0										5													7-1534798-5	
Black					X	X	X	0	X										5														6-1534798-5
					X	0	0	0	X										5														5-1534798-5
					X	0	X	0	X										5														4-1534798-5
					X	0	X	X	X										5														3-1534798-5
					X	0	X	X	X										5														2-1534798-5 / 11
					X	X	0	X											4	7.5	12.4												8-1534798-4 / 11
Orange					X	0	X												3	5	9.9												1-1534798-3
					X	0	X												3														1534798-3
					X	0	X												3														9-1534798-3
					X	0	X												3														2-1534798-3
Brown					X	0	X												3														8-1534798-3
Green					X	0	X																										

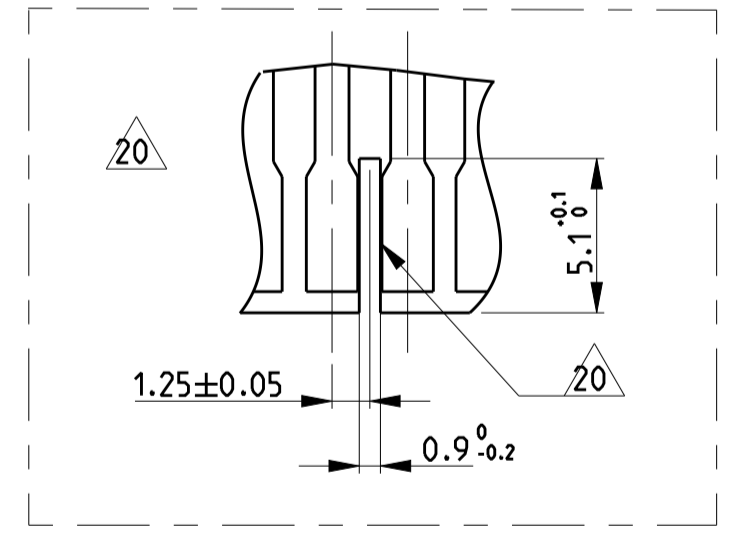
LOC	DIST	REVISIONS			
P	LTR	DESCRIPTION	DATE	DWN	APVD
-	-	SEE SHEET 1	-	-	-



KEYING 22

KEYING 23

- 23 KEYING. SPECIAL THICK. BETWEEN POSITION
- 22 KEYING. SPECIAL THIN. BETWEEN POSITION
- 21 SLOT FOR KEYING SPECIAL. BETWEEN POSITION
- 20 RECOMMENDED PCB CUTOFF DIMENSION FOR THE PN X-2304527-Y AND X-2304528-Y



GWT 750C AND UL94 V0 VERSION																												
Color	20	19	18	17	16	15	14	13	12	11	10	9	8	7	6	5	4	3	2	1	POS. Polzahl	DIM A	DIM B	KEYING 12	KEYING 17	KEYING 23	KEYING 22	PN 11 26 Bestell-Nr.
Blue										X	0	X	0	X	0	X	0	X	0	X	13	30	34.9					1-2304528-3
										X	0	X	X	X	X	X	X	X	X	X								2304528-3
Orange										X	0	X	0	X	0	0	0	X	X	X	11	25	29.9					2-2304528-1
Green										X	0	X	0	X	0	X	0	X	0	X								1-2304528-1
										X	0	X	0	X	0	X	0	X	0	X	10	22.5	27.4					2-2304528-0
										X	0	X	0	X	0	0	0	X	0	X								1-2304528-0
										X	0	X	0	X	0	X	0	X	0	X	9	20	24.9					3-2304527-9
Black										X	0	X	X	0	X	X	0	X	0	X								2-2304527-9
Blue										X	X	X	X	X	X	0	X	0	X									1-2304527-9
										X	X	X	X	X	X	0	X	0	X									2304527-9
										X	0	X	0	X	0	X	0	X	0	X	7	15	19.9					4-2304527-7
Black										X	X	X	X	0	0	0	X											3-2304527-7
Green										X	0	X	0	X	0	X	0	X										2-2304527-7
Blue										X	0	X	0	X	0	X												1-2304527-7
Red										X	X	0	X	0	X													2304527-7
Black										X	0	X	X	0	X													6-2304527-6
Green										X	X	0	X	0	X													5-2304527-6
										0	0	X	X	X	X													4-2304527-6
										X	0	X	X	0	X													3-2304527-6
Blue										X	0	X	0	X	X													2-2304527-6
Red										X	0	X	X	0	X													1-2304527-6
Red										X	0	X	X	0	X													2304527-6
Red										X	X	X	0	X														4-2304527-5
Red										X	0	0	0	X									3/4					3-2304527-5
										X	0	0	0	X														2-2304527-5
Green										X	0	X	0	X														1-2304527-5
Black										X	0	X	0	X														2304527-5
Red										X	X	0	0															4-2304527-4
Red										X	0	X																2304527-4
										X	0	X																8-2304527-3
Blue										X	0	X																7-2304527-3
										X	0	X																6-2304527-3
										X	0	X																5-2304527-3
Black										X	0	X																4-2304527-3
Red										X	0	X																3-2304527-3
Brown										X	0	X																1/2 -
Orange										X	0	X																2-2304527-3
										X	0	X																1-2304527-3
										X	0	X																2304527-3

THIS DRAWING IS A CONTROLLED DOCUMENT. DWN H. Karabiyik 24MAY2002
 CHK B. Schnaubel 24MAY2002
 APVD T. Klenner 24MAY2002

TE Connectivity

AMP DUOPLUG 2.5 MARK II FEMALE CONNECTOR 3-20 POSITION SELECTIVE LOADED

SIZE CAGE CODE DRAWING NO RESTRICTED TO
 A1 00779 C=1534798

Customer Drawing SCALE 10:1 SHEET 3 OF 3