

160739-4 ✓ ACTIVE

FASTON | FASTON 250

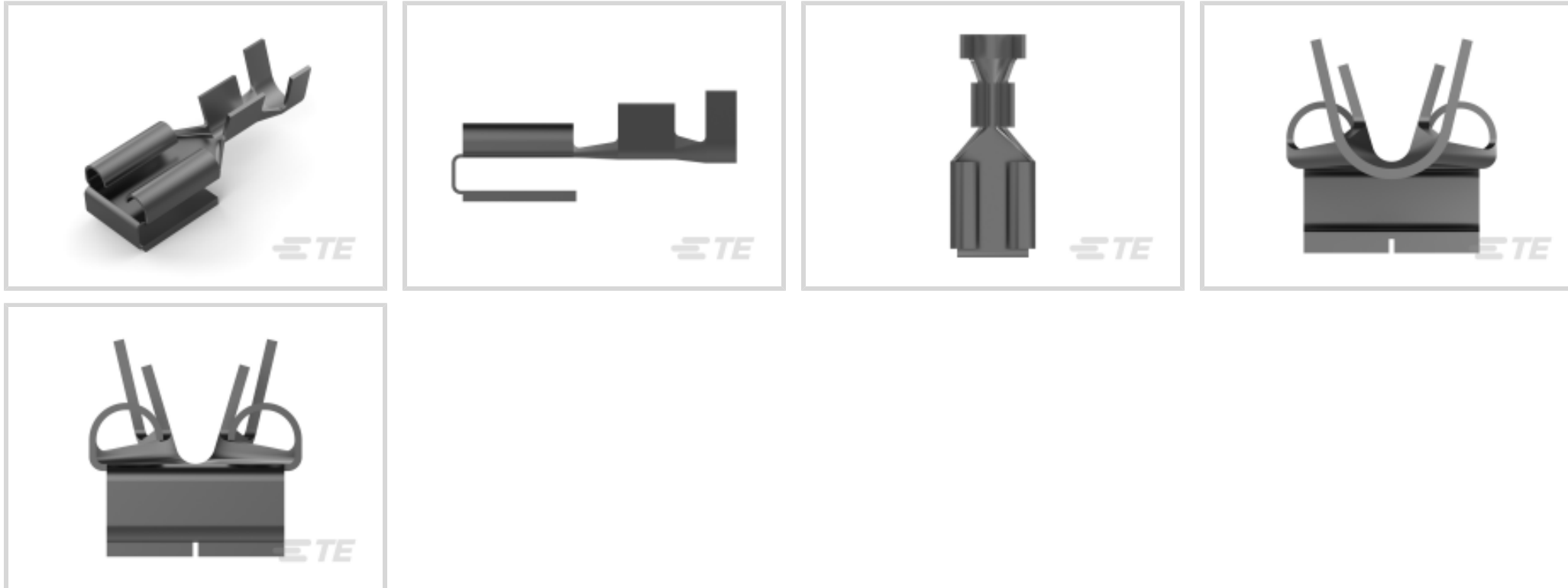
TE Internal #: 160739-4

Quick Disconnects, Tab & Receptacle, 18 – 14 AWG Wire Size, .75 – 2.5 mm<sup>2</sup> Wire Size, Mating Tab Width .25 in [6.35 mm], Piggyback, FASTON 250

[View on TE.com >](#)



Terminals & Splices > Quick Disconnects



Quick Disconnect Terminal Type: **Tab & Receptacle**

Wire Size: .75 – 2.5 mm<sup>2</sup>

Mating Tab Width: 6.35 mm [.25 in]

Mating Tab Thickness: .81 mm [.032 in]

## Features

### Product Type Features

Terminates To	Wire & Cable
Wire/Cable Type	Regular Wire
Wire Stop	No
Insertion Force	Normal
Sealable	No

### Configuration Features

Connection Capacity	Single
---------------------	--------

### Contact Features

Quick Disconnect Terminal Type	Tab & Receptacle
Mating Tab Width	6.35 mm [.25 in]
Mating Tab Thickness	.81 mm [.032 in]
Terminal Orientation	Piggyback
Contact Base Material	Phosphor Bronze
Terminal Plating Material	Tin
Crimp Type	F-Crimp



Barrel Type	Open
-------------	------

### Mechanical Attachment

Mating Retention Type	Dimple
-----------------------	--------

Wire Insulation Support	With
-------------------------	------

### Dimensions

Accepts Wire Insulation Diameter Range	3 – 4.3 mm [.118 – .169 in]
--	-----------------------------

Receptacle Terminal Stock Thickness	.4 mm [.015 in]
-------------------------------------	-----------------

Overall Length	20.1 mm [.791 in]
----------------	-------------------

Wire Size	.75 – 2.5 mm <sup>2</sup>
-----------	---------------------------

### Usage Conditions

Insulation Option	Uninsulated
-------------------	-------------

Operating Temperature Range	-40 – 110 °C [-40 – 230 °F]
-----------------------------	-----------------------------

### Industry Standards

CSA Certified	Yes
---------------	-----

UL Rating	Listed
-----------	--------

### Packaging Features

Packaging Quantity	1500
--------------------	------

Packaging Method	Strip/Reel
------------------	------------

### Other

Line	Premier
------	---------

### Product Compliance

[For compliance documentation, visit the product page on TE.com>](#)

EU RoHS Directive 2011/65/EU	Compliant
------------------------------	-----------

EU ELV Directive 2000/53/EC	Compliant
-----------------------------	-----------

China RoHS 2 Directive MIIT Order No 32, 2016	No Restricted Materials Above Threshold
---	---

EU REACH Regulation (EC) No. 1907/2006	Current ECHA Candidate List: JUNE 2022 (224) Candidate List Declared Against: JAN 2022 (223) SVHC > Threshold: Not Yet Reviewed
--	--

Halogen Content	Low Halogen - Br, Cl, F, I < 900 ppm per homogenous material. Also BFR/CFR/PVC
-----------------	--

Free

Solder Process Capability

Not applicable for solder process capability

Product Compliance Disclaimer

This information is provided based on reasonable inquiry of our suppliers and represents our current actual knowledge based on the information they provided. This information is subject to change. The part numbers that TE has identified as EU RoHS compliant have a maximum concentration of 0.1% by weight in homogenous materials for lead, hexavalent chromium, mercury, PBB, PBDE, DBP, BBP, DEHP, DIBP, and 0.01% for cadmium, or qualify for an exemption to these limits as defined in the Annexes of Directive 2011/65/EU (RoHS2). Finished electrical and electronic equipment products will be CE marked as required by Directive 2011/65/EU. Components may not be CE marked. Additionally, the part numbers that TE has identified as EU ELV compliant have a maximum concentration of 0.1% by weight in homogenous materials for lead, hexavalent chromium, and mercury, and 0.01% for cadmium, or qualify for an exemption to these limits as defined in the Annexes of Directive 2000/53/EC (ELV). Regarding the REACH Regulation, the information TE provides on SVHC in articles for this part number is based on the latest European Chemicals Agency (ECHA) 'Guidance on requirements for substances in articles' posted at this URL: <https://echa.europa.eu/guidance-documents/guidance-on-reach>

## Compatible Parts



TE Part # 2305570-1  
TERMINAL CUTTER, SIDE FEED



TE Part # 151321-1  
250 FASTON, FLAG, P-BACK REC., 18-14 AWG, BR



TE Part # 2-2836860-2  
OCEAN\_2.0\_APPLICATOR-S-110F180F



TE Part # 2376595-2  
250 FASTON PCB TAB TPBR



TE Part # 2836860-2  
OCEAN\_2.0\_APPLICATOR-S-110F180F



TE Part # 7-2836860-2  
OCEAN\_2.0\_APPLICATOR-S-110F180F



TE Part # 7-2836860-7  
OCEAN\_2.0\_SPARE\_PART\_KIT-110F180F



TE Part # 880682-1  
FASTON 250 PIGGY-BACK REC 0.5-1.0 MM2 BR



TE Part # 2376591-3  
250 FASTON PCB TAB TPBR LP

Also in the Series | **FASTON 250**



Compression Connectors(4)



Crimp Terminal Housings(143)



Insertion & Extraction Tools(6)



Magnet Wire Terminals(1)



PCB Terminals(144)



Quick Disconnects(456)



Splices(4)

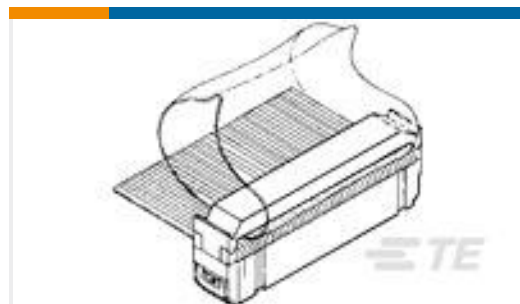
## Customers Also Bought



TE Part #2-326878-1  
PIDG R 22-16 COMM 22-18 MIL 6



TE Part #3-641237-3  
03P MTA100 CONN ASSY RED 30AU



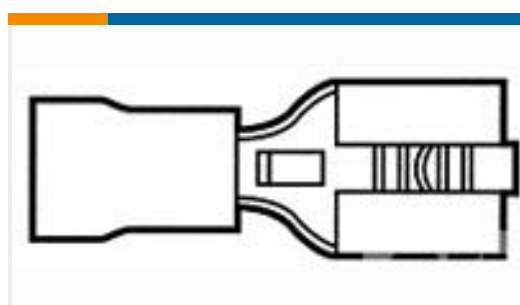
TE Part #5088450-2  
PULL LOOP, CUT LENGTH .44 IN



TE Part #2-1445088-4  
MICRO MNL HDR ASSY S/ROW AU LF



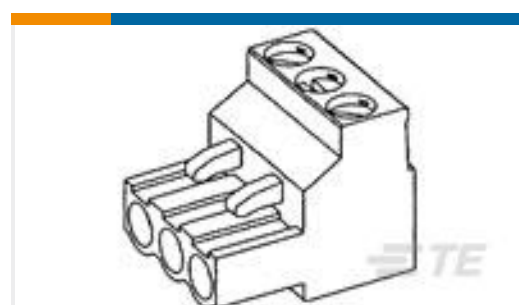
TE Part #3-2199250-5  
TYPE C 3.8H SPRING FINGER



TE Part #8-42844-1  
RECEPT,PIDG FASTON 14-12 250



TE Part #201355-1  
MALE BLOCK 14 PL.



TE Part #1-282809-5  
TERMI-BLOK PLUG STACKING 4P, M



TE Part #794218-1  
MINI UMNL2 PIN 26-22 AWG SN

## Documents



### Product Drawings

[250 FASTON,PIGGYBACK REC.,18-14 AWG,TPPB](#)

English

---

### CAD Files

Customer View Model

[ENG\\_CVM\\_CVM\\_160739-4\\_AC.2d\\_dxf.zip](#)

English

**3D PDF**

3D

Customer View Model

[ENG\\_CVM\\_CVM\\_160739-4\\_AC.3d\\_igs.zip](#)

English

Customer View Model

[ENG\\_CVM\\_CVM\\_160739-4\\_AC.3d\\_stp.zip](#)

English

By downloading the CAD file I accept and agree to the [Terms and Conditions](#) of use.

---

### Product Specifications

[Application Specification](#)

English

---

### Product Environmental Compliance

[TE Material Declaration](#)

English

---

### Agency Approvals

[Agency Approval Document](#)

English