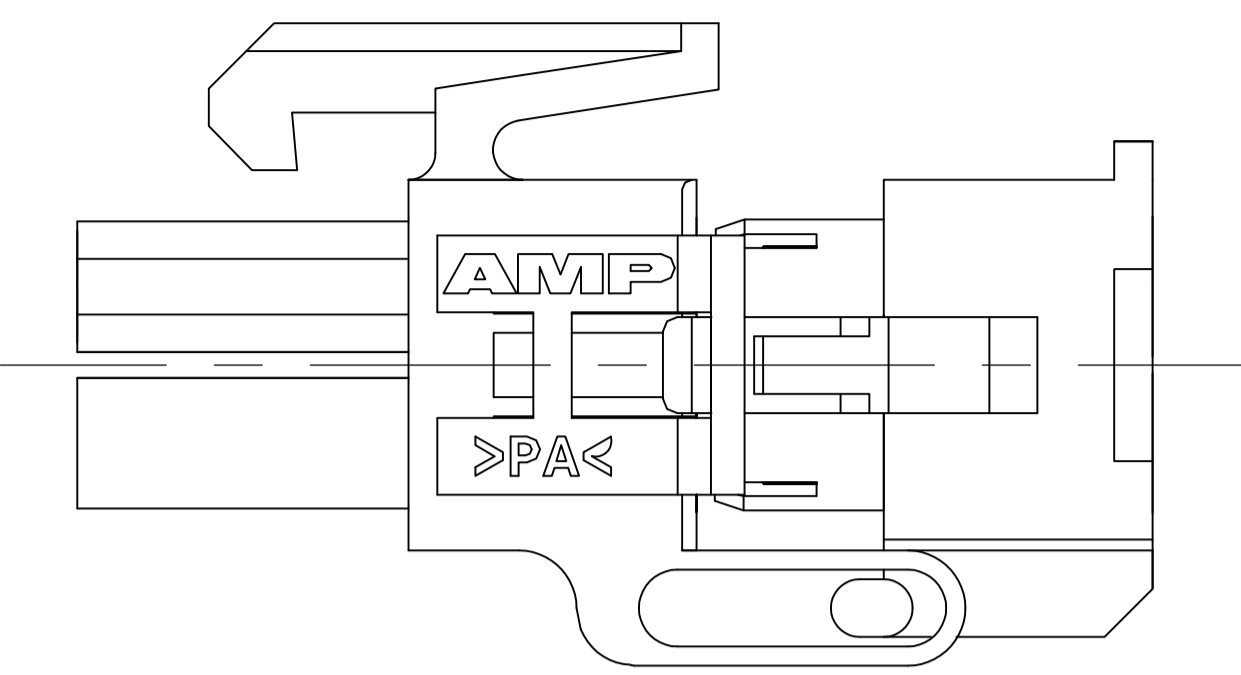
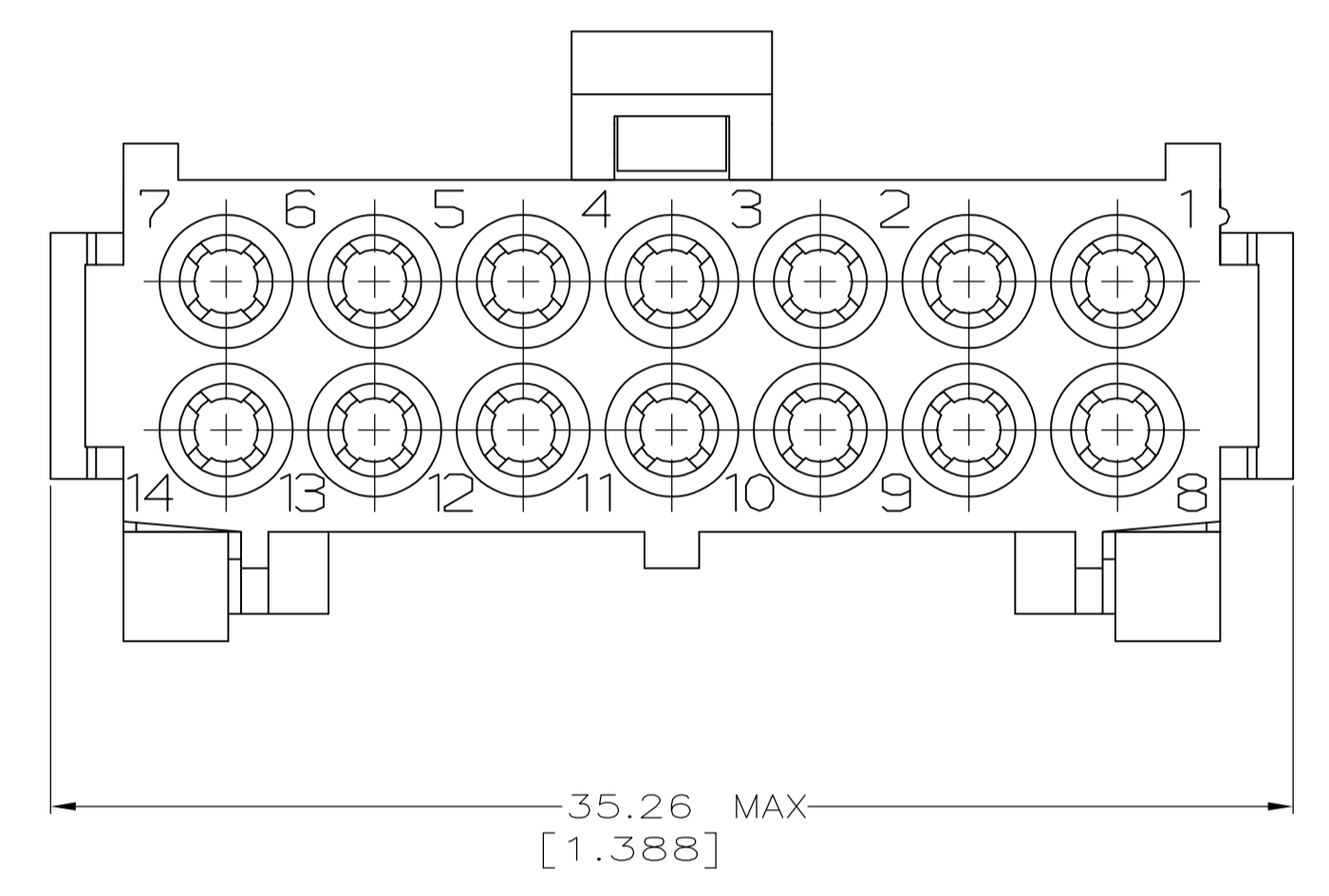
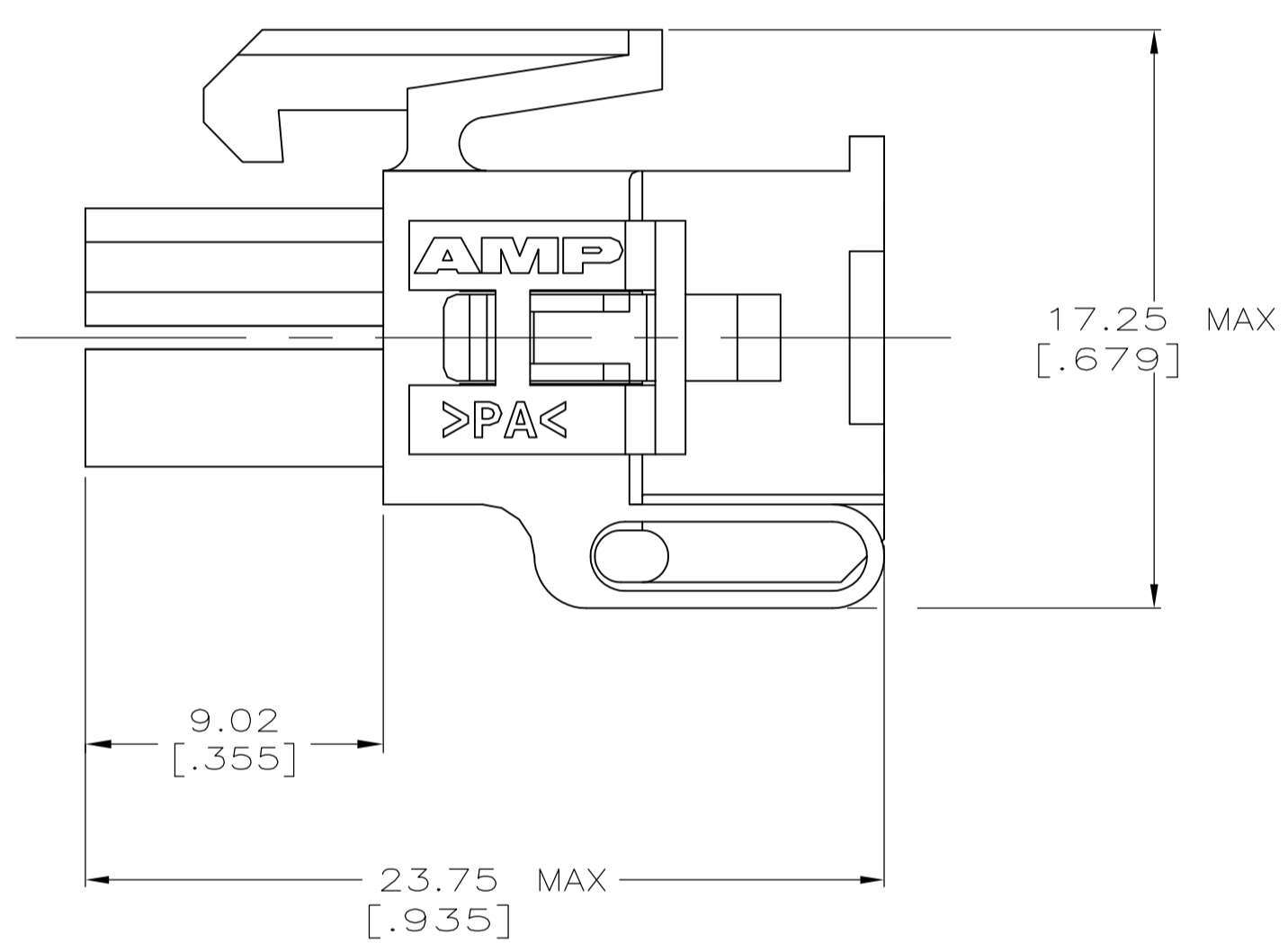
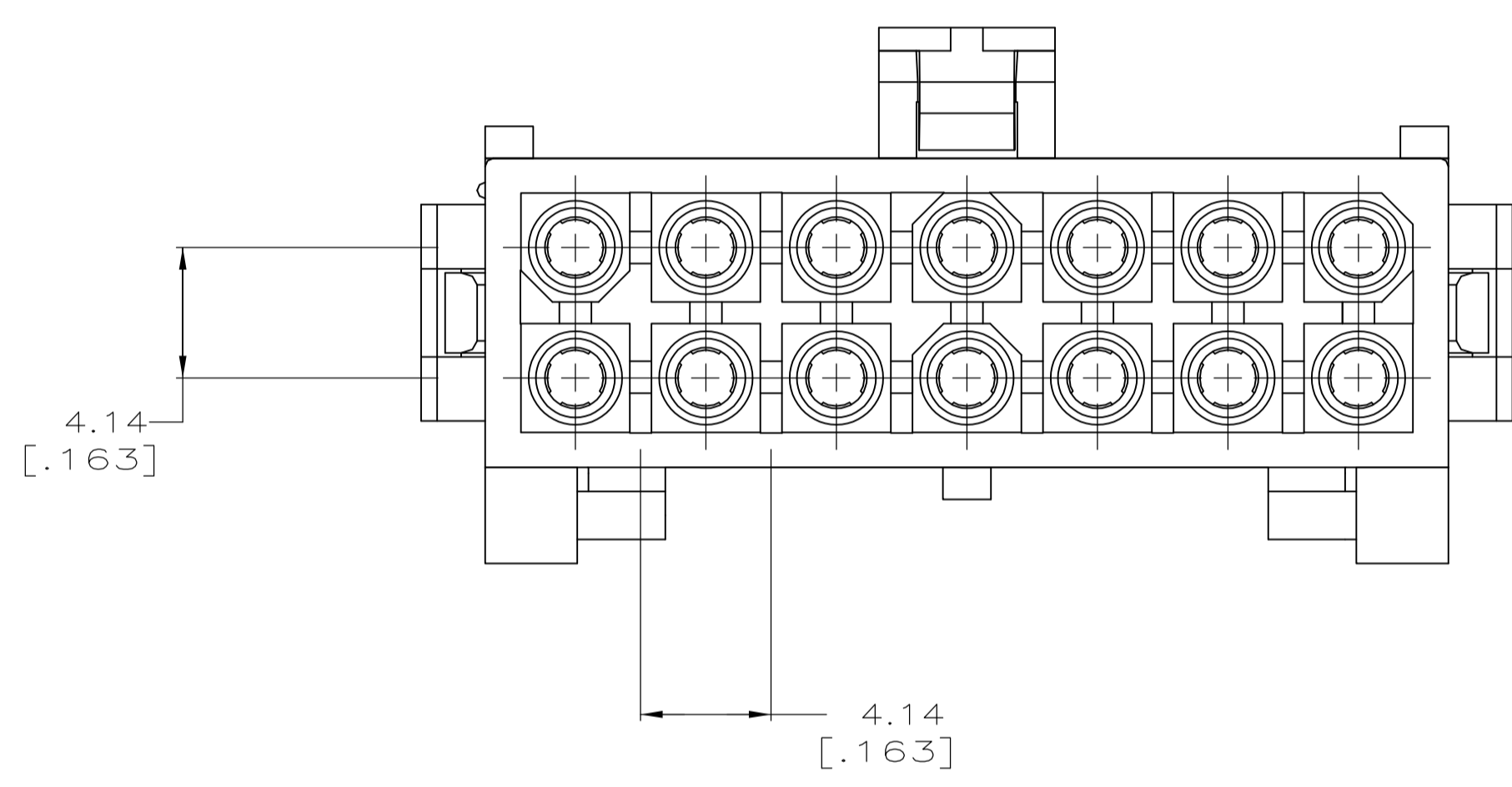


LOC		DIST		REVISIONS			
P	LTR	DESCRIPTION	DATE	DWN	APVD		
B1		REVISED PER ECR 10-025344	24FEB11	JR	TM		



PRE-STAGED CONDITION

1 DIMENSIONS IN BRACKETS ARE IN INCHES.



1586592-1
PART NUMBER

METRIC

THIS DRAWING IS A CONTROLLED DOCUMENT.		DIN K. WHITAKER 13APR2005	Tyco Electronics Corporation Harrisburg, PA 17105-3608
DIMENSIONS: mm [INCHES]		CHK C. JONES 13APR2005	
TOLERANCES UNLESS OTHERWISE SPECIFIED:		APVD C. JONES 13APR2005	NAME
0. PLC ± -			PLUG, 14 CIRCUIT,SPECIAL KEYING, MINI UNIVERSAL MATE-N-LOK(TM)2
1. PLC ± -			APPLICATION SPEC
2. PLC ± -			SIZE CAGE CODE DRAWING NO RESTRICTED TO
3. PLC ± 0.13 [.005]			A1 00779 C=1586592
4. PLC ± -			WEIGHT
ANGLES ± -			CUSTOMER DRAWING
MATERIAL NYLON,UL94V-0,NATURAL	FINISH -		SCALE 5:1 SHEET 1 OF 1 REV B1