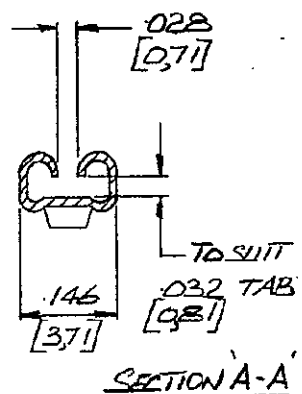
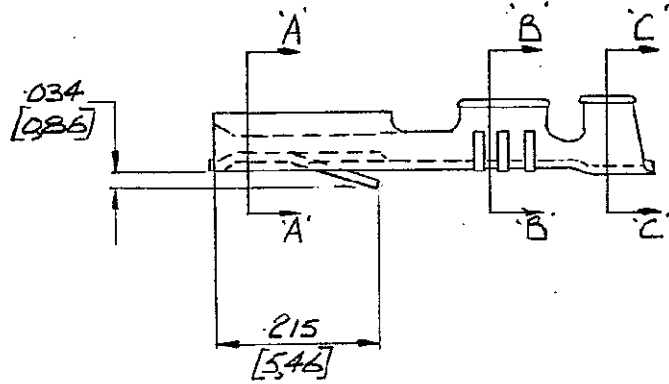
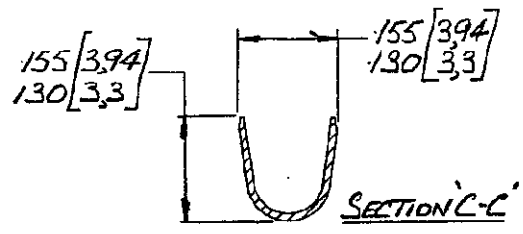
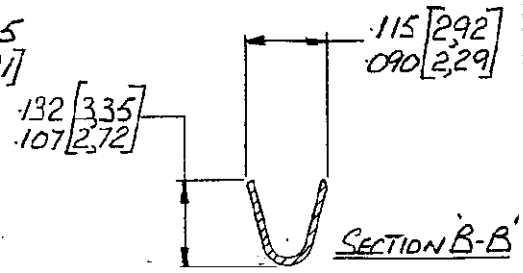
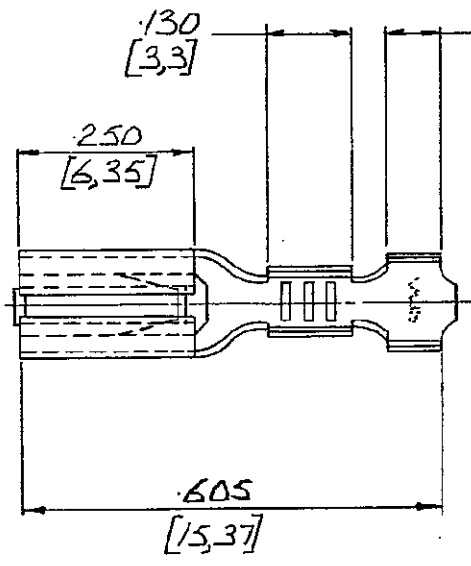


NUMBER  
C/150572

3rd ANGLE (AMERICAN) PROJECTION

DIMENSIONS IN INCHES. DO NOT SCALE PRINT.  
DIMENSIONS THRU C IN MM.



150572-2	ELECTRO-TIN	REELED WITH PAPER INTERLEAVE
150572-1	PRE-TIN.	(1)
PART NO	FINISH	

© AIRCRAFT-MARINE PRODUCTS (GREAT BRITAIN) LTD 1968

CUSTOMER COPY REFERENCE ONLY

M	REV IN LINE WITH PROD. DRAWING. EROD-0430-98	MSH	14/8/68
C	PAPER INTERLEAVE ADDED TO -15-2		16/11/68
B	LANSE SKETCHES ADDED PICTORIALY	ABK	22/1/70
A	REDRAWN	D	10.5.68

MATERIAL AND FINISH  
.010 [0,25]  
BRASS  
SEE TABLE



AIRCRAFT-MARINE PRODUCTS (GREAT BRITAIN) LTD, STANMORE, MIDDX.

LTR	REVISION RECORD	DR	CHK	DATE
DE	10.5.68	DE	R. J. AVERLEY	10.5.68
CHK	B. JUSTMAN 10.5.68	APP		

WIRE -- RANGE	INSULATION	TYPE
20-16	080-120 [2,03-3,05]	
TOLERANCE EXCEPT AS NOTED	SCALE	LOC
± .015 [0,4]	± 1°	4:1
NO	REV	
E A	C	150572

NAME  
MINIATURE FASTIN FASTON (110 SERIES)

PRINT DIST