

EUR C04 112 F29 PDS

|                       |      |                       |      |              |  |          |                |             |          |
|-----------------------|------|-----------------------|------|--------------|--|----------|----------------|-------------|----------|
| 6 043 10 11           | A    | 10740372              | 01   | 3            | SEAL Dichtung  | SILICON  | RED Rot        | 9 339 00 00 | 33511770 |
|                       |      |                       |      | 2            | TPA Kontaktsicherung                                 | PBT      | BLUE Blau      |             |          |
|                       |      |                       |      | 1            | 8POS. FEMALE CONNECTOR<br>8 POL. Flachkontaktgehäuse | PBT-GF30 | BLACK Schwarz  |             |          |
| PART-NO.<br>TEILE-NR. | REV. | PART-NO.<br>TEILE-NR. | REV. | ITEM<br>POS. | NAME<br>BENENNUNG                                    | MATERIAL | COLOR<br>FARBE | MVL         | DELPHI   |
| MVL                   |      | DELPHI                |      |              |  |          |                |             |          |

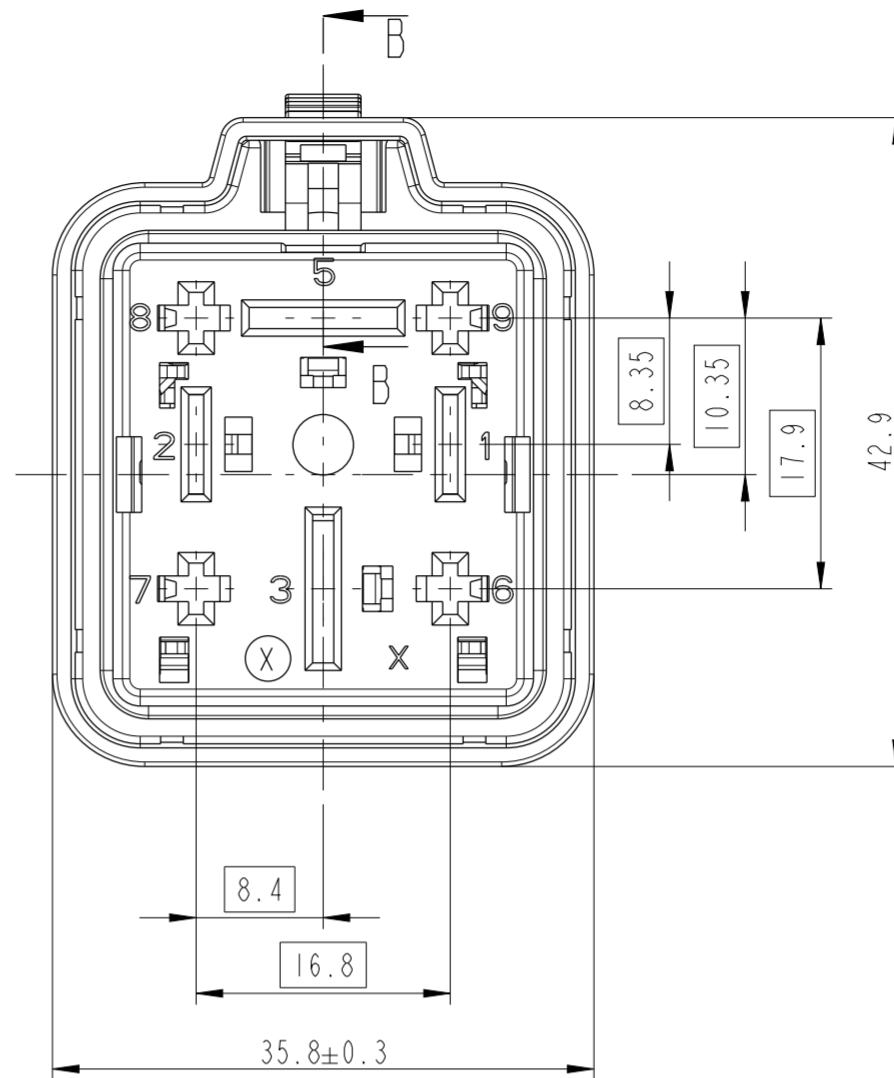
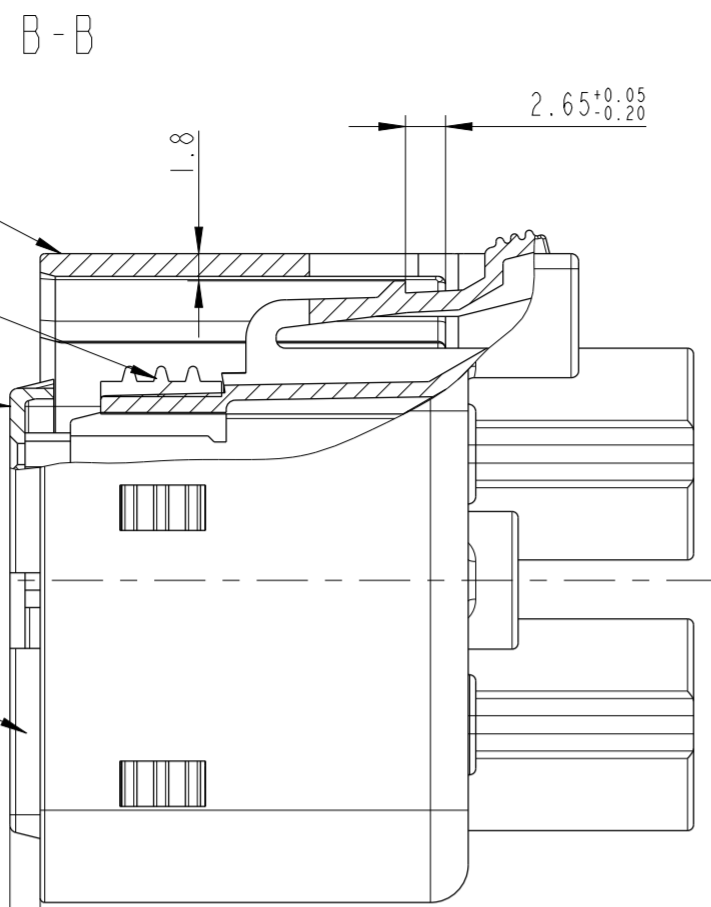
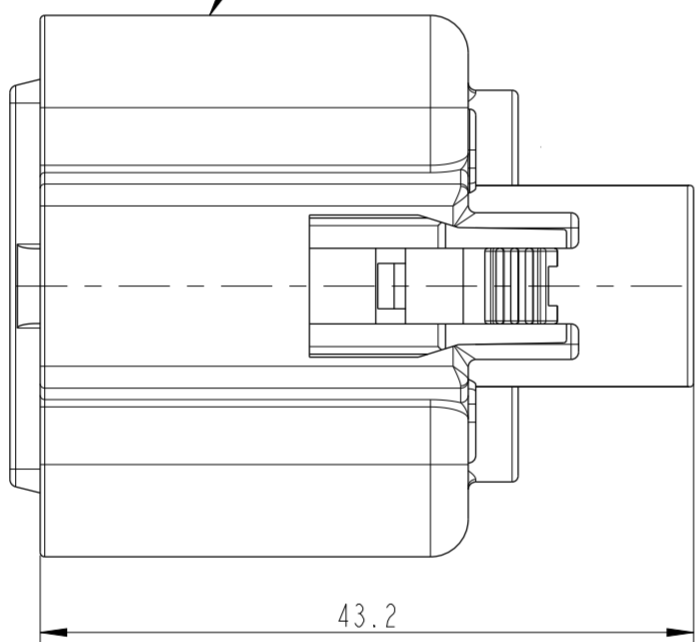
| DESCRIPTION                | PART-NO.<br>TEILE-NR. | WIRE SIZE<br>DRAHTGROSSEN-<br>BEREICH<br>(mm <sup>2</sup> ) | ISOLATION SIZE<br>ISOLATIONSBEREICH<br>(Ø) | MVL           | DELPHI      | CAVITY-NO<br>KAMMER-NR. |
|----------------------------|-----------------------|---|--|---------------|-------------|-------------------------|
| DCSI 9.5MM<br>FEMALE TERM. | 6 007 02 71           | 10763018  | >6.00 - 10.00                              | Ø5.80 - Ø6.60 | 6 099 33 03 | 10721071                |
|                            |                       |   |  | Ø5.40 - Ø6.60 | 6 099 33 04 | 10889241                |
|                            |                       |   |  | Ø3.50 - Ø5.50 | 6 099 33 01 | 15327788                |
|                            | 6 007 02 61           | 15327734  | >4.00 - 6.00                               | Ø3.40 - Ø4.40 | 6 099 33 08 | 13546490                |
|                            |                       |   |  | Ø3.50 - Ø5.50 | 6 099 33 01 | 15327788                |
|                            |                       |   |  | Ø3.50 - Ø5.50 | 6 099 33 01 | 15327788                |
| DCSI 6.3MM<br>FEMALE TERM. | 6 004 00 51           | 10748126  | 4.00                                       | Ø3.10 - Ø5.50 | 6 099 26 06 | 12186636                |
|                            | 6 004 00 41           | 15340695  | 1.50 - 2.50                                | Ø2.20 - Ø3.20 | 6 099 26 04 | 15443869                |
| DCSI 2.8MM<br>FEMALE TERM. | 6 004 00 31           | 12186637  | 0.50-0.75-1.00                             | Ø1.40 - Ø2.30 | 6 099 26 07 | 12186638                |
|                            | 6 004 05 41           | 33511768  | >1.00 - 1.50                               | Ø2.20 - Ø2.70 | 6 099 34 05 | 33501746                |
|                            | 6 001 05 31           | 12198447  | 0.50 - 1.00                                | Ø1.70 - Ø2.10 | 6 099 34 03 | 15327786                |
|                            | 6 001 05 11           | 15395924  | 0.35                                       | Ø1.20 - Ø1.60 | 6 099 34 01 | 33511807                |
|                            | MVL                   | DELPHI  |  |               | MVL         | DELPHI                  |
|                            |                       |   |  |               |             |                         |

|   |                                      |   |   |
|---|--------------------------------------|---|---|
| 13-00711  | A5                                   | DPN 33511769 REPLACED BY 33511807           |   |
| ECN-NO.<br>ECN-NUMBER                               | POSITION<br>POSITION                 | CHANGE DESCRIPTION<br>ÄNDERUNGSBESCHREIBUNG |   |
| PRODUCT SPEC.<br>PRODUKT-SPEZ.                      | PACKAGING SPEC.<br>VERPACKUNGS-SPEZ. | APPLICATION SPEC.<br>ANWENDUNGS-SPEZ.       | COPYRIGHT DELPHI CORPORATION AND/OR ITS AFFILIATES. ALL RIGHTS RESERVED. REVISED THIS DRAWING IS THE PROPERTY OF DELPHI CORPORATION AND CONTAINS DELPHI CONFIDENTIAL INFORMATION. THE REPRODUCTION, DISTRIBUTION AND UTILIZATION OF THIS DOCUMENT OR ITS RELATED CAD DATA, AS WELL AS COMMUNICATION OF ANY CONTENT TO OTHERS, WITHOUT EXPRESS AUTHORIZATION, IS PROHIBITED. |
| TOLERANCES<br>TOLERANZEN                            | DIN ISO 2768 TS                      | MATERIAL :<br>MATERIAL :                    | SEE TABLE<br>SIEHE TABELLE  |
| COUNTERPART No.<br>GEGENSTÜCK-Nr.                   | SEE NOTES                            | COLOR :<br>FARBE :                          |   |
| DO NOT MEASURE DRAWING<br>ZEICHNUNG NICHT VERMESSEN | DATE<br>DATUM                        | NAME<br>NAME                                | TITLE<br>BENENNUNG  |
| CREATED BY<br>ERSTELLT                              | 1996-05-19                           | WEL   | 8WAY SEALED FEMALE CONNECTOR  |
| MODIFIED BY<br>GEÄNDERT                             | 2013/06/19                           | M WELTHER                                   | PROJECT<br>PROJEKT  |
| CHECKED BY<br>GEPRÜFT                               | 2013/06/19                           | M SCHINDHELM                                | 8WAY SEALED FEMALE CONNECTOR  |
| APPROVED BY<br>GEBILDIGT                            | 2013/06/19                           | Olaf HOERNLEIN                              | ESR NO.<br>ESR-NUMMER   |
| FILE NAME<br>DWG-NAME                               | 60431011C                            |   | DOCUMENT UNDER PDS CONTROL<br>KEINÄNDERUNG AUSSERHALB NICHT ERLAUBT   |
|   |                                      |   | CAT. NO.<br>KATALOG-Nr.   |
|   |                                      |   | 60431011  |
|   |                                      |   | DRAWING NUMBER<br>ZEICHN.-NUMMER  |
|   |                                      |   | 60431011C   |
|   |                                      |   | REV.<br>INDEX   |
|   |                                      |   | E   |
|   |                                      |   | STATE<br>STATUS   |
|   |                                      |   | SERIAL RELEASED   |
|   |                                      |   | PART NUMBER<br>TEILENUMMER  |
|   |                                      |   | 60431011  |
|   |                                      |   | APPROVAL LEVEL<br>FREIGABESTUFE   |
|   |                                      |   | A2  |
|   |                                      |   | SHEET<br>BLATT  |
|   |                                      |   | 1   |
|   |                                      |   | of 1 part<br>von 1 Teil   |
|   |                                      |   | SCALE<br>M: 2:1   |

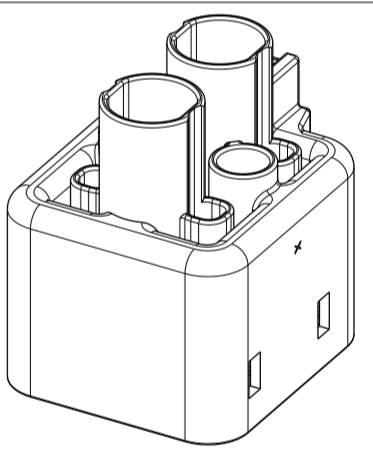
TPA IN PRELOCKED POSITION  
CONDITION BY DELIVERY  
Verriegelung in Vorraststellung  
Lieferzustand

TPA TRAVEL DISTANCE =(2)  
Verschiebeweg

MATERIAL IDENTIFICATION  
Materialkennzeichnung



3D Ansicht / 3D VIEW,  
M 1:1



VALIDATED ACCORDING: GMI 12590  
GEPRUEFT NACH: GMI 12590

NEUTRAL VERSION