

1546350-2 ✓ ACTIVE

AMP | AMP CPC

TE Internal #: 1546350-2

Unscreened Circular Connector Backshells & Clamps, Cable Clamp,
Size 23, Right Angle, Protective Cover, Individual, 1-3/8-18 UNEF-
2B, AMP CPC

[View on TE.com >](#)



Connectors > Circular Connectors > Circular Connector Accessories > Unscreened Circular Connector Backshells & Clamps > CPC CABLE CLAMPS



Backshell & Clamp Accessory Type: **Cable Clamp**

Compatible With Circular Connector Shell Size: **23**

Body Orientation: **Right Angle**

Accepts Cable Diameter (Max): **17.86 mm [.703 in]**

Protective Cover: **With**

[All CPC CABLE CLAMPS \(25\)](#)

Features

Product Type Features

Product Type	Accessory
Backshell & Clamp Accessory Type	Cable Clamp
Protective Cover	With

Body Features

Cable Clamp Material	Thermoplastic
Cable Clamp Flammability Rating	UL 94V-0
Cable Clamp Color	Black

Mechanical Attachment

Screw & Hole Thread Size	1-3/8-18 UNEF-2B
--------------------------	------------------

Housing Features

Body Orientation	Right Angle
------------------	-------------

Dimensions



Accepts Cable Diameter (Max)	17.86 mm[.703 in]
------------------------------	-------------------

Operation/Application

Compatible With Circular Connector Shell Size	23
---	----

Packaging Features

Packaging Quantity	1
Packaging Method	Individual

Product Compliance

[For compliance documentation, visit the product page on TE.com>](#)

EU RoHS Directive 2011/65/EU	Compliant
EU ELV Directive 2000/53/EC	Compliant
China RoHS 2 Directive MIIT Order No 32, 2016	No Restricted Materials Above Threshold
EU REACH Regulation (EC) No. 1907/2006	Current ECHA Candidate List: JUNE 2022 (224) Candidate List Declared Against: JAN 2022 (223) SVHC > Threshold: Not Yet Reviewed
Halogen Content	Not Low Halogen - contains Br or Cl > 900 ppm.
Solder Process Capability	Not applicable for solder process capability

Product Compliance Disclaimer

This information is provided based on reasonable inquiry of our suppliers and represents our current actual knowledge based on the information they provided. This information is subject to change. The part numbers that TE has identified as EU RoHS compliant have a maximum concentration of 0.1% by weight in homogenous materials for lead, hexavalent chromium, mercury, PBB, PBDE, DBP, BBP, DEHP, DIBP, and 0.01% for cadmium, or qualify for an exemption to these limits as defined in the Annexes of Directive 2011/65/EU (RoHS2). Finished electrical and electronic equipment products will be CE marked as required by Directive 2011/65/EU. Components may not be CE marked. Additionally, the part numbers that TE has identified as EU ELV compliant have a maximum concentration of 0.1% by weight in homogenous materials for lead, hexavalent chromium, and mercury, and 0.01% for cadmium, or qualify for an exemption to these limits as defined in the Annexes of Directive 2000/53/EC (ELV). Regarding the REACH Regulation, the information TE provides on SVHC in articles for this part number is based on the latest European Chemicals Agency (ECHA) 'Guidance on requirements for substances in articles' posted at this URL: <https://echa.europa.eu/guidance-documents/guidance-on-reach>

Compatible Parts




TE Part # CAT-AM71-C83998BB
CPC SERIES 3



TE Part # CAT-AM71-C83998M
CPC SERIES 2



TE Part # CAT-AM71-C83998J
CPC SERIES 1



TE Part # CAT-AM71-C83998F
CPC SERIES 1 POSTED



TE Part # CAT-AM71-C83998CC
CPC SERIES 4



TE Part # CAT-AM71-C83998E
CPC SERIES 2 POSTED



TE Part # CAT-AM71-C83998K
CPC SERIES 6



TE Part # CAT-AM71-C83998Y
CPC SERIES 1 SEALED ONE-PIECE



TE Part # 206306-2
23-37 F H RECEPT REV SEX




TE Part # 206306-5
CPC RECEPT ASSEMBLY SIZE 23-37



TE Part # 206306-1
23-37 RECEPT REV SEX



TE Part # 1-206934-1
CPC RECPT ASSEMBLY SIZE 23-37



TE Part # CAT-AM71-C83998GG
CPC SERIES 1 POSTED




TE Part # 1-206934-7
CPC RECPT ASSEMBLY SIZE 23-37




TE Part # 206934-5
CPC RECPT ASSEMBLY SIZE 23-37


Also in the Series | AMP CPC




Circular Connector Adapters(7)



Circular Connector Boots & Strain Relief(6)



Circular Connector Caps & Covers(16)



Circular Connector Hardware(3)



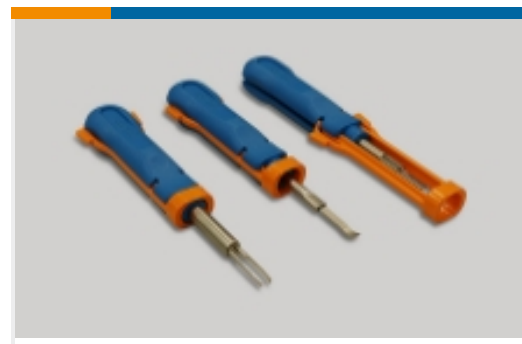
Circular Connector Keying Plugs(2)



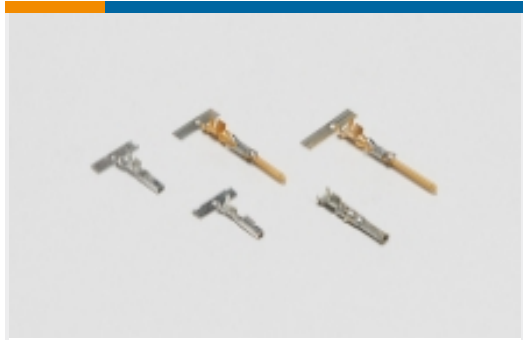
Circular Connector Seals(36)



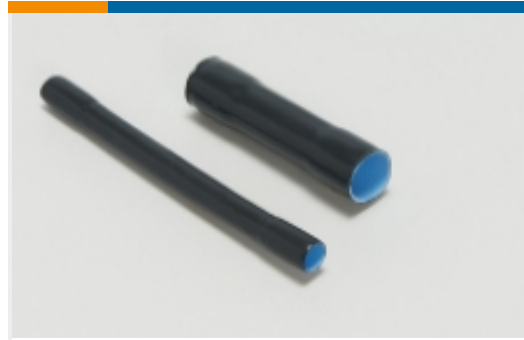
Circular Power Connectors(516)



Insertion & Extraction Tools(1)



Power Contacts(6)



Sealing Sleeves(2)

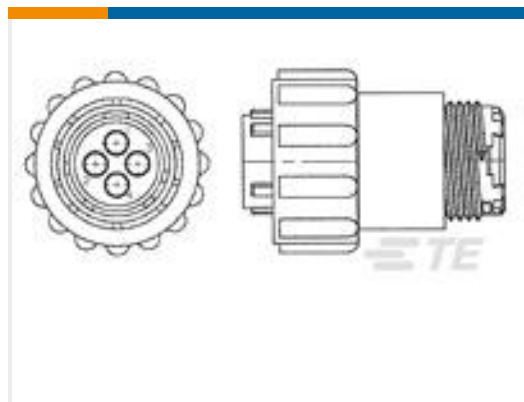


Unscreened Circular Connector Backshells & Clamps(56)

Customers Also Bought



TE Part #206305-1
CPC SERIES 6



TE Part #796188-1
SLD CPC PLUG ASSY,23-24,STD SX



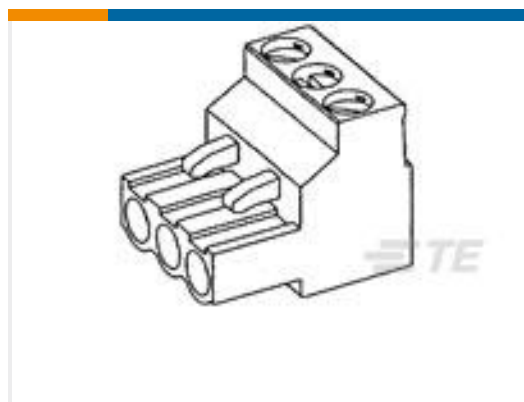
TE Part #9-215083-4
MICRO-MATCH MOW.24P



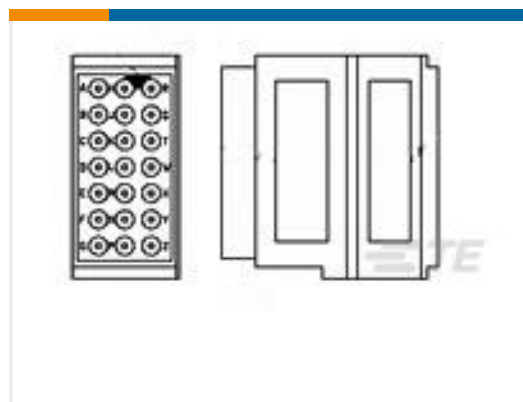
TE Part #206306-1
23-37 RECEPT REV SEX



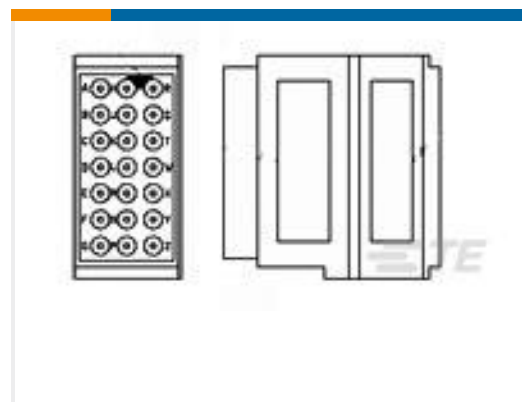
TE Part #787610-1
CPC RECEPT,SIZE 23-37 W/INSERTS



TE Part #1-282809-5
TERMI-BLOK PLUG STACKING 4P, M



TE Part #592629-5
TERM JCT, F/B SZ 21, 33 BUSS



TE Part #592629-7
TERM JCT,F/B SZ 21,34 BUSS

Documents

Product Drawings

[R/A CABLE CLAMP KIT,SZ 23,CPC](#)

English

CAD Files

[Customer View Model](#)

[ENG_CVM_CVM_1546350-2_C.2d_dxf.zip](#)

English

[3D PDF](#)



3D

Customer View Model

[ENG_CVM_CVM_1546350-2_C.3d_igs.zip](#)

English

Customer View Model

[ENG_CVM_CVM_1546350-2_C.3d_stp.zip](#)

English

By downloading the CAD file I accept and agree to the [Terms and Conditions](#) of use.

Datasheets & Catalog Pages

[AMP Circular Connectors for Commercial Signal & Power Applications](#)

English