

Series 160, 162, 163 & 165 Splicer Terminal Blocks

SPECIFICATIONS

Rating: To 620A, 600V; UL/CSA. See table.

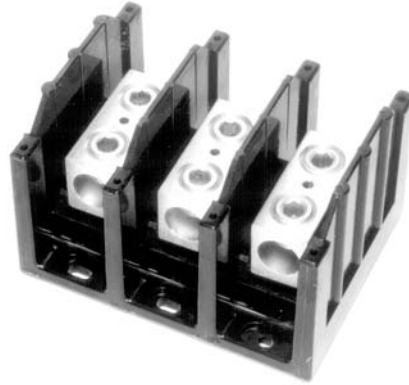
Materials: Molded material: Black,
UL rated 94V0 thermoplastic

Operating Temperature: 150°C

Marking: Marker strip is optional, consult factory.

Agency Information: UL 221592; General Industrial Class
per UL 1059; CSA LR053787; CE Certified

Covers: See page 137

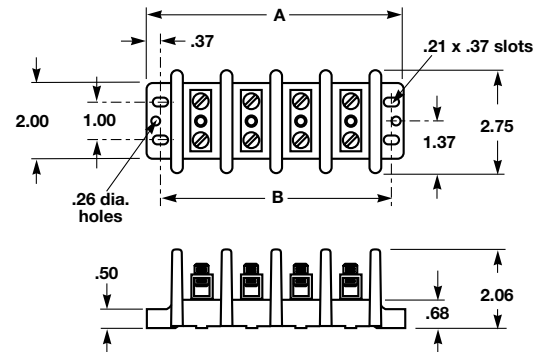


Part Number	Line Connection	Load Connection	Connector Material & Ampacity	Agency Approvals
*16000	2/0-#8CU-AL	2/0-#8CU-AL	AL-175A	UL -
*16003	250MCM-#6CU	250MCM-#6CU	CU-255A	UL -
*16005	350MCM-#6CU-AL	350MCM-#6CU-AL	AL-310A	UL -
16200	#2-#14CU/#8AL	#2-#14CU/#8AL	AL-115A	UL CSA
16201	1/0-#14CU	1/0-#14CU	CU-150A	UL CSA
16204	2/0-#8CU-AL	2/0-#8CU-AL	AL-175A	UL CSA
16301	250MCM-#6CU	250MCM-#6CU	CU-255A	UL CSA
16303	350MCM-#6CU-AL	350MCM-#6CU-AL	AL-310A	UL CSA
16306	500MCM-#6CU-AL	500MCM-#6CU-AL	AL-380A	UL CSA
16500	②350MCM-#4CU-AL	②350MCM-#4CU-AL	AL-620A	UL CSA
16504	②500MCM-#6CU-AL	②500MCM-#6CU-AL	AL-760A	UL CSA

* 160 Series Bases have mounting holes outside the barriers. Other bases (162 through 165) have mounting holes within barriers. See dimensional drawings.

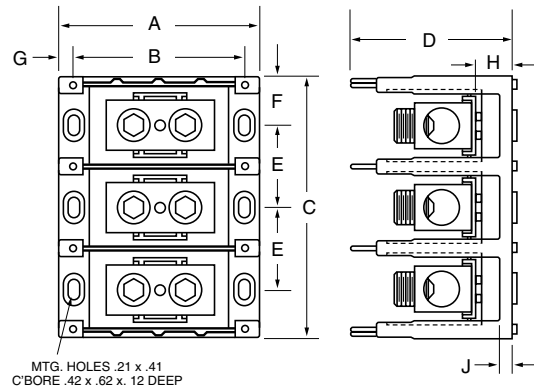
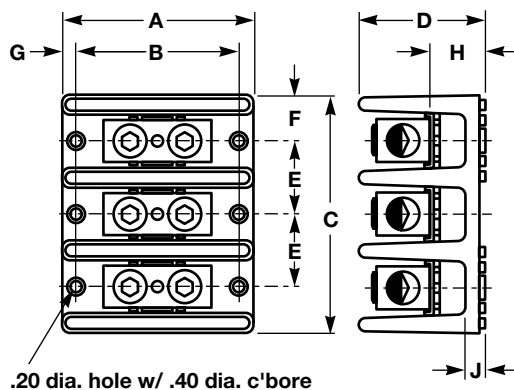
① Openings per pole.

No. of Poles	A	B
2	4.12	3.62
3	5.37	4.87
4	6.62	6.12



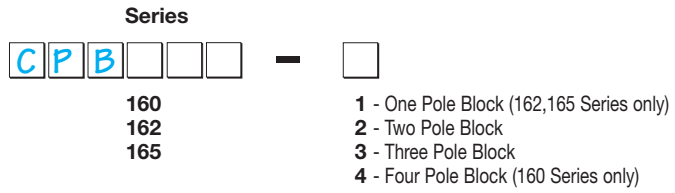
Series	A	B	C 1-pole	C 2-pole	C 3-pole
162	2.87	2.25	1.06	1.87	2.68
163	4.00	3.37	1.98	3.60	5.21
165	5.50	4.75	3.12	5.81	8.50

Series	D	E	F	G	H	J
162	1.75	.81	.53	.31	.84	.31
163	3.32	1.62	.97	.31	.87	.35
165	3.12	2.68	1.56	.37	1.37	.62



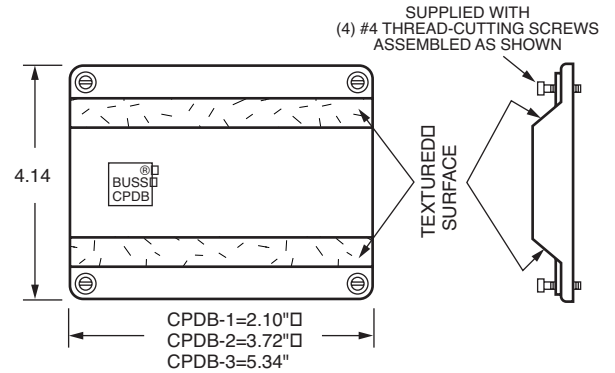
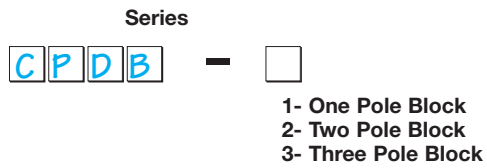
Covers (160, 162, 165 Series)

Part Numbering System



Covers (163 Series)

Part Numbering System



Clear with write on surface