



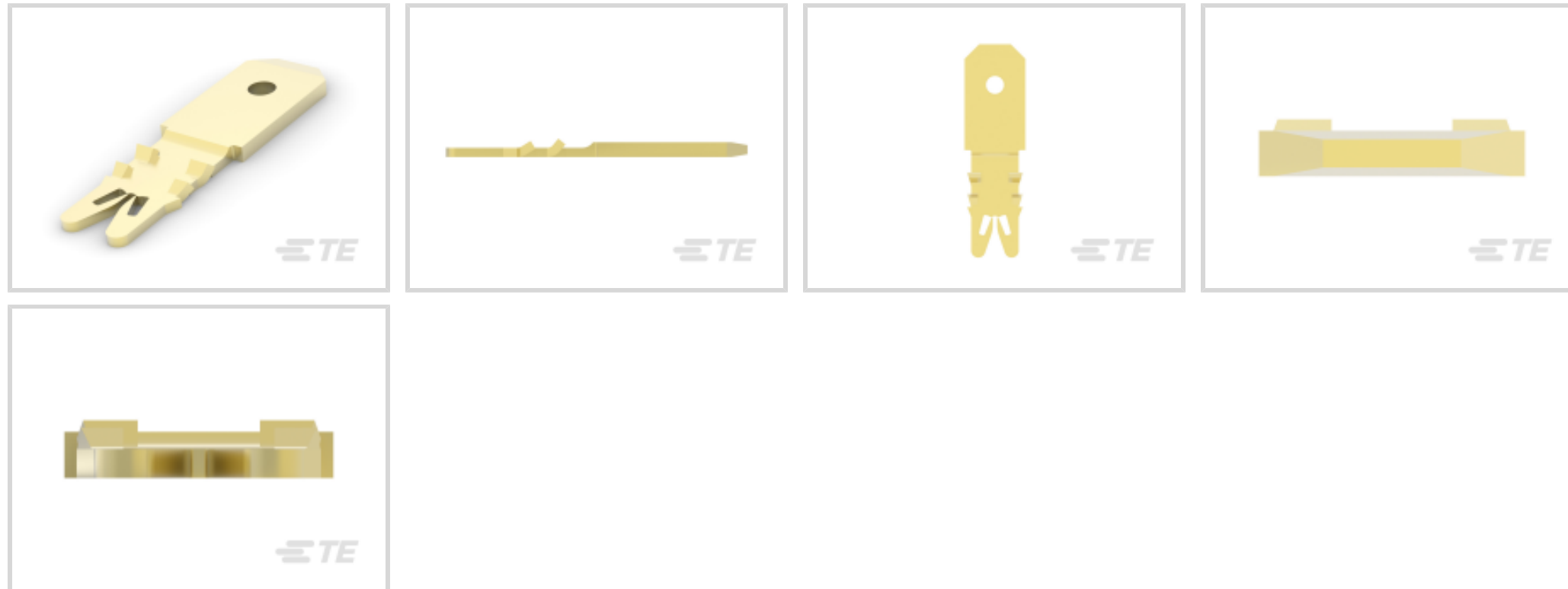
SIAMEZE

TE Internal #: 1601035-1

Magnet Wire Terminals, Tab, Mating Tab Width .187 in [4.75 mm],  
 Size 1, .16 – 1.02 mm Magnet Wire, 34 – 18 AWG Magnet Wire,  
 SIAMEZE

[View on TE.com >](#)

Terminals & Splices > Magnet Wire Terminals



Magnet Wire Terminal Type: **Tab**

Mating Tab Width: **4.75 mm [ .187 in ]**

Mating Tab Thickness: **.81 mm [ .032 in ]**

Compatible With Cavity Size: **Size 1**

Magnet Wire Size: **.16 – 1.02 mm**

**Features**

**Product Type Features**

Compatible With Discrete Wire Type	Magnet Wire, Solid
------------------------------------	--------------------

**Body Features**

Compatible With Cavity Size	Size 1
-----------------------------	--------

**Contact Features**

Magnet Wire Terminal Type	Tab
Mating Tab Width	4.75 mm [.187 in]
Mating Tab Thickness	.81 mm [.032 in]
Terminal Plating Material	Unplated
Terminal Orientation	Straight

**Termination Features**

Termination Method to Wire & Cable	Insulation Displacement (IDC)
------------------------------------	-------------------------------

**Mechanical Attachment**

Contact Mating Retention Type	Barbs, Hole
-------------------------------	-------------



**Dimensions**

Terminal Height	8.38 mm[.33 in]
Magnet Wire Size	34 – 18 AWG
Stock Thickness (Magnet Wire Side)	.51 mm[.02 in]
Overall Product Length	16.64 mm[.655 in]

**Usage Conditions**

Insulation Option	Uninsulated
-------------------	-------------

**Operation/Application**

Compatible With Wire Base Material	Copper
------------------------------------	--------

**Packaging Features**

Packaging Quantity	20000
Packaging Method	Reel

**Other**

Comment	Inserted height above the pocket is 8.26 mm [.325 in]., Inserted height above the pocket is 8.26mm [.325]., Magnet wire 30 AWG or smaller also requires a wrap post per P/N 1601447, Recommended Pocket P /N 1601425
---------	--

**Product Compliance**

[For compliance documentation, visit the product page on TE.com>](#)

EU RoHS Directive 2011/65/EU	Compliant
EU ELV Directive 2000/53/EC	Compliant
China RoHS 2 Directive MIIT Order No 32, 2016	No Restricted Materials Above Threshold
EU REACH Regulation (EC) No. 1907/2006	Current ECHA Candidate List: JUNE 2022 (224) Candidate List Declared Against: JAN 2022 (223) SVHC > Threshold: Not Yet Reviewed
Halogen Content	Low Halogen - Br, Cl, F, I < 900 ppm per homogenous material. Also BFR/CFR/PVC Free
Solder Process Capability	Not applicable for solder process capability

Product Compliance Disclaimer

This information is provided based on reasonable inquiry of our suppliers and represents our current actual knowledge based on the information they provided. This information is subject to change. The part numbers that TE has identified as EU RoHS compliant have a maximum concentration of 0.1% by weight in homogenous materials for lead, hexavalent chromium, mercury, PBB, PBDE, DBP, BBP, DEHP, DIBP, and 0.01% for cadmium, or qualify for an exemption to these limits as defined in the Annexes of Directive 2011/65/EU (RoHS2). Finished electrical and electronic equipment products will be CE marked as required by Directive 2011/65/EU. Components may not be CE marked. Additionally, the part numbers that TE has identified as EU ELV compliant have a maximum concentration of 0.1% by weight in homogenous materials for lead, hexavalent chromium, and mercury, and 0.01% for cadmium, or qualify for an exemption to these limits as defined in the Annexes of Directive 2000/53/EC (ELV). Regarding the REACH Regulation, the information TE provides on SVHC in articles for this part number is based on the latest European Chemicals Agency (ECHA) 'Guidance on requirements for substances in articles' posted at this URL: <https://echa.europa.eu/guidance-documents/guidance-on-reach>

## Compatible Parts



TE Part # 1601035-2  
TAB,187X032,STD,SMZ



TE Part # 1601040-1  
SIAMEZE TERMINALS



TE Part # 1601144-1  
159-003-000=PIN.024SQ,MMD,SMZ



TE Part # 2-284937-1  
TAB SIAMEZE CONTACT .250" x.03




TE Part # 293231-1  
MULTI BARB SIAMEZE TERMINAL  
STD RANGE



TE Part # 1601425  
531-007-000=POCKET  
SPECIFICATION

## Also in the Series | SIAMEZE



Insertion & Extraction Tools(1)



Magnet Wire Terminals(196)

## Customers Also Bought



TE Part #177919-1  
POWER DBL LOCK PLATE 3P



TE Part #208979-2  
CONV OUTLET ASSY (BLACK)



TE Part #172168-1  
6 CIR UNIV M-N-L PLUG



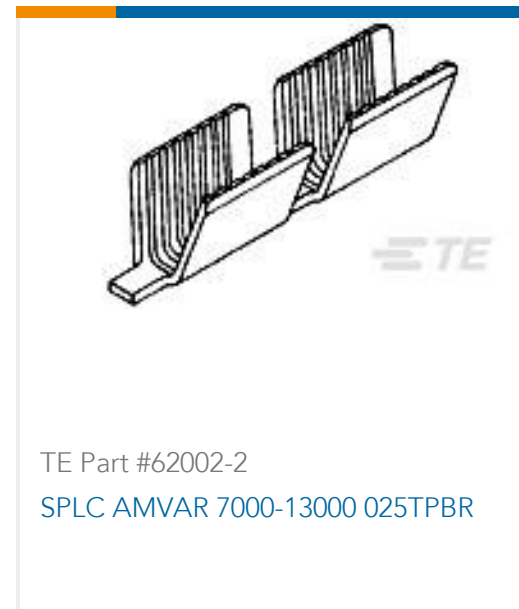
TE Part #2-520274-2  
ULTRA-FAST 187 ASY REC 22-18 TPPB



TE Part #61148-1  
BRUSH HOLDER AMPLIVAR 22-17  
AWG PHBZ



TE Part #170362-1  
UNIV M-N-L SOC. 22-18 AWG



TE Part #62002-2  
SPLC AMVAR 7000-13000 025TPBR



TE Part #080745J001  
V2-1.0-0-SP-SM



TE Part #NB14654001  
VERSAFIT-3X-1/8-0-SP

## Documents

### Product Drawings

[131-082-000=TAB,187X032,STDSMZ](#)

English

[131-082-000=TAB,187X032,STDSMZ](#)

English

### CAD Files

Customer View Model

[ENG\\_CVM\\_CVM\\_1601035-1\\_D.2d\\_dxf.zip](#)

English

3D PDF

3D

Customer View Model

[ENG\\_CVM\\_CVM\\_1601035-1\\_D.3d\\_igs.zip](#)

English

Customer View Model

[ENG\\_CVM\\_CVM\\_1601035-1\\_D.3d\\_stp.zip](#)

English

By downloading the CAD file I accept and agree to the [Terms and Conditions](#) of use.



---

**Datasheets & Catalog Pages**

[1654742\\_HOUSEHOLD\\_APPLIANCES\\_RAST5](#)

English

[Magnet Wire Terminals & Splices](#)

English

[1-1773702-7 \\_IDC\\_Magnet\\_Wire](#)

English

---

**Product Specifications**

[Application Specification](#)

English

---

**Product Environmental Compliance**

[Product Compliance](#)

English

[Product Compliance](#)

English