



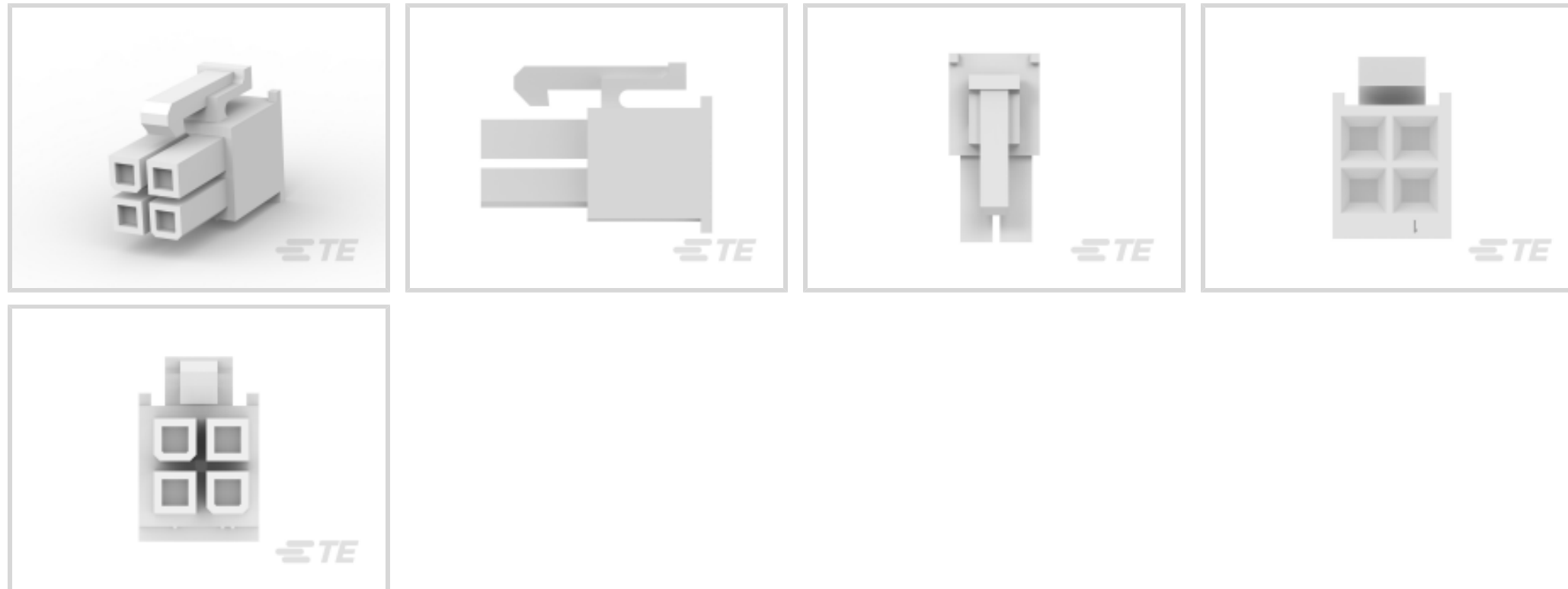
VAL-U-LOK

TE Internal #: 1586019-4

Rectangular Power Connectors, Housing, Receptacle, Wire-to-Wire / Wire-to-Board, 4 Position, .165 in [4.2 mm] Centerline, Wire & Cable, UL 94V-0

[View on TE.com >](#)

Connectors > Power Connectors > Rectangular Power > Rectangular Power Connectors



Rectangular Power Connector Type: **Housing**

Connector & Housing Type: **Receptacle**

Connector System: **Wire-to-Board, Wire-to-Wire**

Number of Positions: **4**

Centerline (Pitch): **4.2 mm [.165 in]**

Features

Product Type Features

Rectangular Power Connector Type	Housing
Connector & Housing Type	Receptacle
Connector System	Wire-to-Board, Wire-to-Wire
Sealable	No
Connector & Contact Terminates To	Wire & Cable

Configuration Features

Number of Positions	4
Number of Rows	2

Electrical Characteristics

Operating Voltage	600 VAC
-------------------	---------

Contact Features

Contact Layout	Matrix, Square Grid
Contact Retention Within Housing	Without
Contact Type	Receptacle



Termination Features

Termination Method to Wire & Cable	Crimp
Wire/Cable Type	Discrete Wire

Mechanical Attachment

Connector Mounting Type	Cable Mount (Free-Hanging)
-------------------------	----------------------------

Housing Features

Centerline (Pitch)	4.2 mm [.165 in]
Housing Color	White
Housing Material	Nylon

Dimensions

Row-to-Row Spacing	4.2 mm [.165 in]
Width	20 mm [.787 in]
Accepts Wire Insulation Diameter Range	1.2 – 3.1 mm [.047 – .122 in]
Height	11.8 mm [.464 in]
Length	9.6 mm [.378 in]

Usage Conditions

Operating Temperature Range	-40 – 105 °C [-40 – 221 °F]
Insertion Force	15 Newton

Operation/Application

Assembly Integration Feature	Without
Circuit Application	Power & Signal

Identification Marking

Circuit Identification Feature	With
--------------------------------	------

Industry Standards

UL Flammability Rating	UL 94V-0
Glow Wire Rating	Standard Part - Not Glow Wire
Agency/Standard Number	E28476
Agency/Standard	UL
UL Rating	Recognized
VDE Tested	No

Packaging Features



Packaging Method	Bag
Packaging Quantity	500

Product Compliance

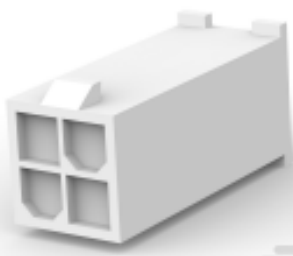
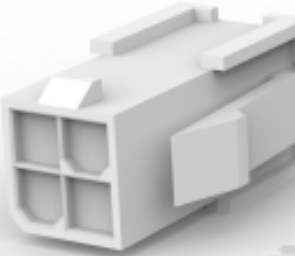


[For compliance documentation, visit the product page on TE.com>](#)

EU RoHS Directive 2011/65/EU	Compliant
EU ELV Directive 2000/53/EC	Compliant
China RoHS 2 Directive MIIT Order No 32, 2016	No Restricted Materials Above Threshold
EU REACH Regulation (EC) No. 1907/2006	Current ECHA Candidate List: JUNE 2022 (224) Candidate List Declared Against: JAN 2022 (223) SVHC > Threshold: Not Yet Reviewed
Halogen Content	Low Halogen - Br, Cl, F, I < 900 ppm per homogenous material. Also BFR/CFR/PVC Free
Solder Process Capability	Not applicable for solder process capability

Product Compliance Disclaimer

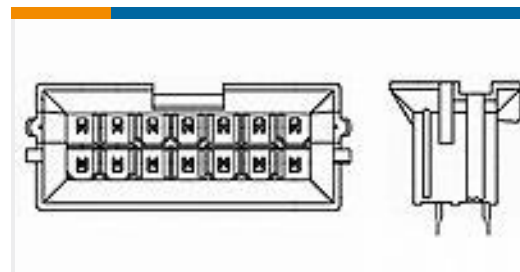
This information is provided based on reasonable inquiry of our suppliers and represents our current actual knowledge based on the information they provided. This information is subject to change. The part numbers that TE has identified as EU RoHS compliant have a maximum concentration of 0.1% by weight in homogenous materials for lead, hexavalent chromium, mercury, PBB, PBDE, DBP, BBP, DEHP, DIBP, and 0.01% for cadmium, or qualify for an exemption to these limits as defined in the Annexes of Directive 2011/65/EU (RoHS2). Finished electrical and electronic equipment products will be CE marked as required by Directive 2011/65/EU. Components may not be CE marked. Additionally, the part numbers that TE has identified as EU ELV compliant have a maximum concentration of 0.1% by weight in homogenous materials for lead, hexavalent chromium, and mercury, and 0.01% for cadmium, or qualify for an exemption to these limits as defined in the Annexes of Directive 2000/53/EC (ELV). Regarding the REACH Regulation, the information TE provides on SVHC in articles for this part number is based on the latest European Chemicals Agency (ECHA) 'Guidance on requirements for substances in articles' posted at this URL: <https://echa.europa.eu/guidance-documents/guidance-on-reach>

Compatible Parts

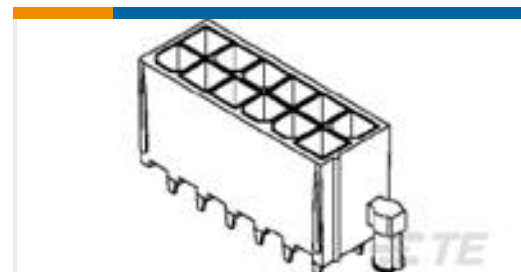
 <p>TE Part # 1586017-4 4P FH PLUG VAL-U-LOK V0</p>	 <p>TE Part # 1969613-4 4P PM PLUG VAL-U-LOK V0</p>	 <p>TE Part # 1586018-4 4P PM PLUG VAL-U-LOK V0</p>	 <p>TE Part # 1586038-4 4P VRT HDR VAL-U-LOK V0</p>
--	--	--	--




TE Part # 1586040-4
4P VAL-U-LOK VRT HDR W/P V0



TE Part # 1586588-4
4P VAL-U-LOK BMI VRT HDR V0



TE Part # 794396-3
AMP DUAC/PL 06P VRT HDR ASSY



TE Part # 1586042-4
4P VAL-U-LOK R/A HDR V0



TE Part # 1586044-4
4P VAL-U-LOK R/A HDR SCR MT V0



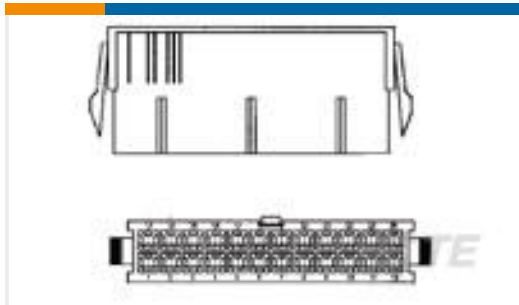
TE Part # 1969612-4
4P FH PLUG VAL-U-LOK V0



TE Part # 1586587-4
4P VAL-U-LOK BMI VRT HDR V0



TE Part # 2029035-4
4P PLUG VAL-U-LOK PM V0 BLK



TE Part # 2029092-4
4P PLUG VAL-U-LOK V0 PM RED




TE Part # 2029100-4
4P RCPT VAL-U-LOK V0 BLUE



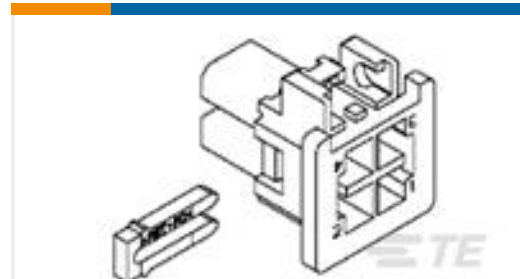
TE Part # 2825272-4
4P VERT HDR VAL-U-LOK HCS GW



TE Part # 5-1586019-8
8P RCPT VAL-U-LOK V0 W/O LOWER BACK STEP

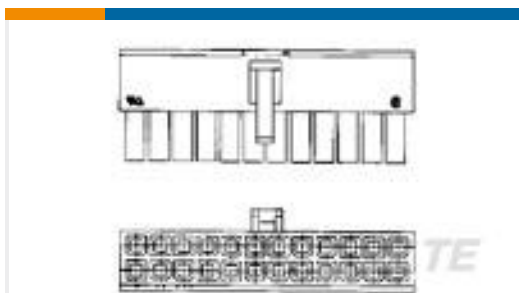


TE Part # 5794172-2
AMP DUAC/PL 04P HDR ASSY RA



TE Part # 794318-1
AMP DUAC/PL 04P KIT BULK PKG

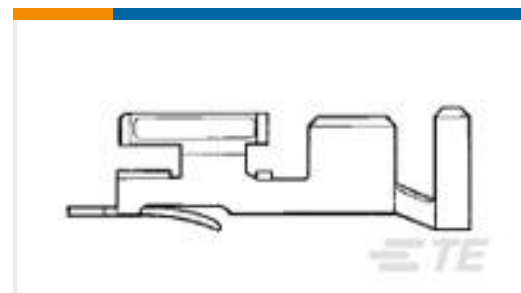
Customers Also Bought



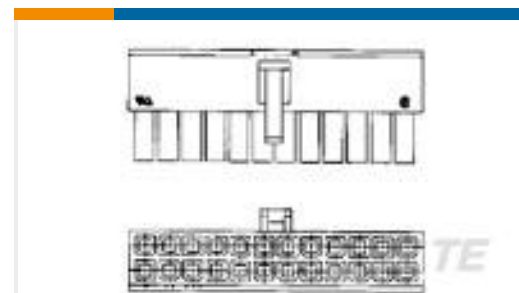
TE Part #1-1586019-8
18P RCPT VAL-U-LOK V0



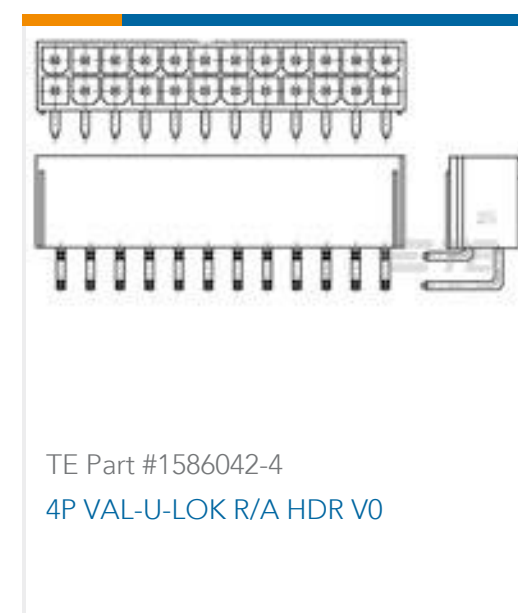
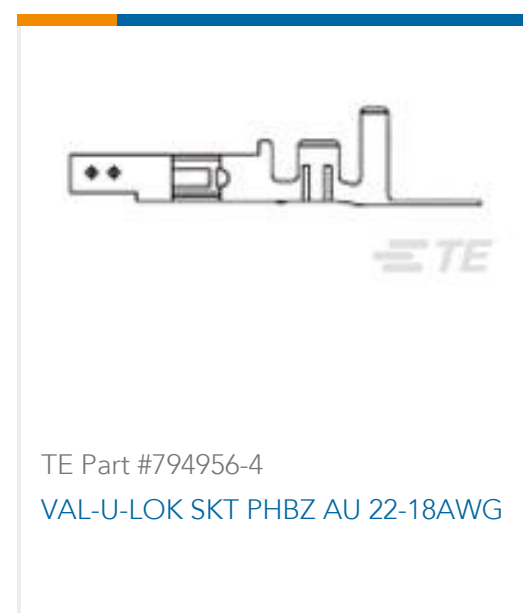
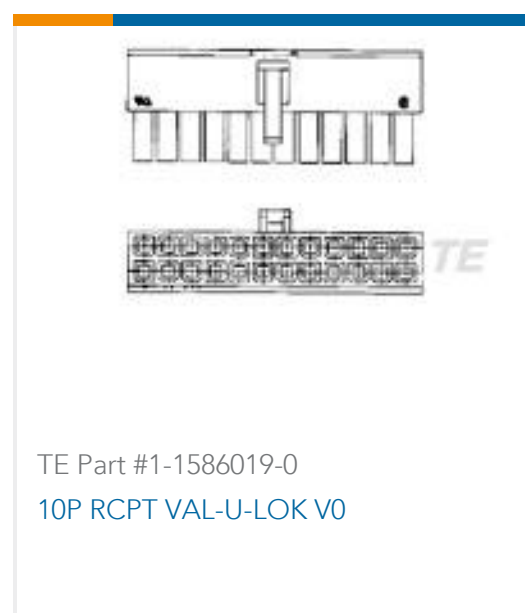
TE Part #794616-4
FREE HANG DBL ROW HSG 4 POS



TE Part #350650-1
HCC 12-18 025PTPHBZ,LUBED



TE Part #1-1586019-4
14P RCPT VAL-U-LOK V0



Documents

Product Drawings

[4P RCPT VAL-U-LOK V0](#)

English

CAD Files

[3D PDF](#)

3D

Customer View Model

[ENG_CVM_CVM_1586019-4_C.2d_dxf.zip](#)

English

Customer View Model

[ENG_CVM_CVM_1586019-4_C.3d_igs.zip](#)

English

Customer View Model

[ENG_CVM_CVM_1586019-4_C.3d_stp.zip](#)

English

By downloading the CAD file I accept and agree to the [Terms and Conditions](#) of use.

Datasheets & Catalog Pages

[SOFT_SHELL_PIN_AND_SOCKET_CONNECTORS_CATALOG](#)

English

Product Specifications

[Application Specification](#)

English

Product Environmental Compliance

[MD_1586019-4_05212018922_dmtec](#)

1586019-4

Rectangular Power Connectors, Housing, Receptacle, Wire-to-Wire / Wire-to-Board, 4
Position, .165 in [4.2 mm] Centerline, Wire & Cable, UL 94V-0



English

[MD_1586019-4_05212018922_dmtec](#)

English

[Agency Approvals](#)

[UL Report](#)

English