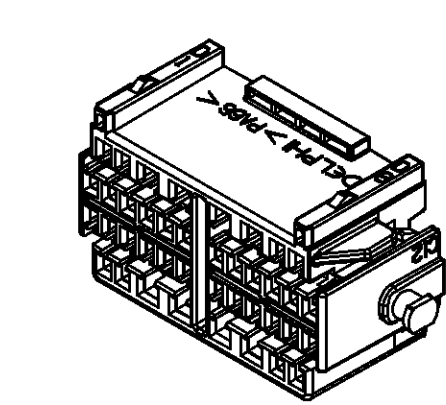
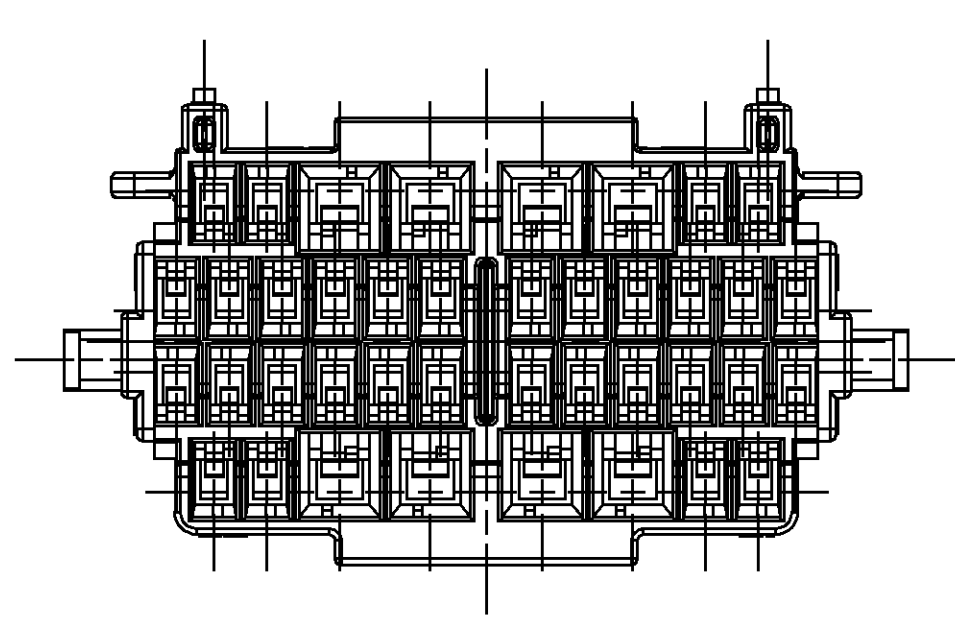
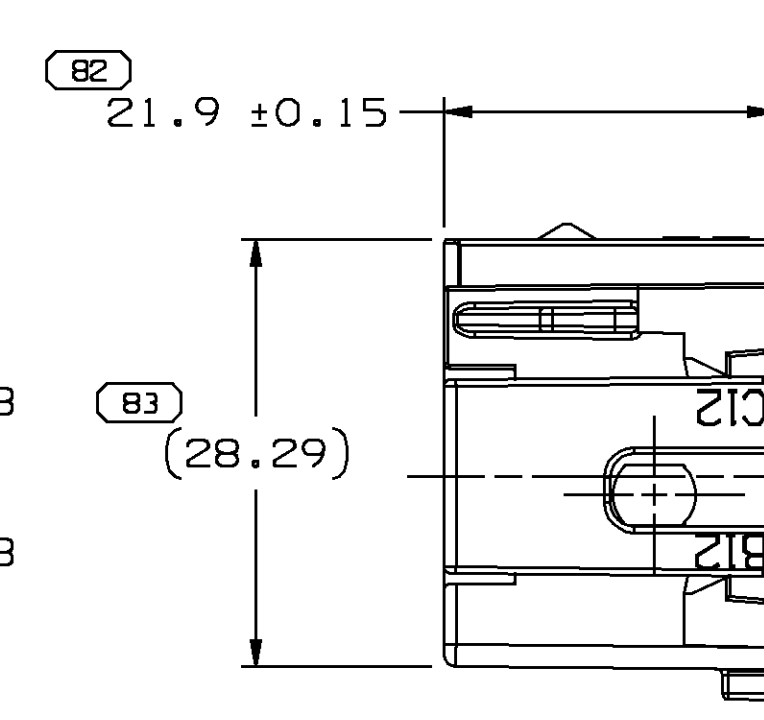
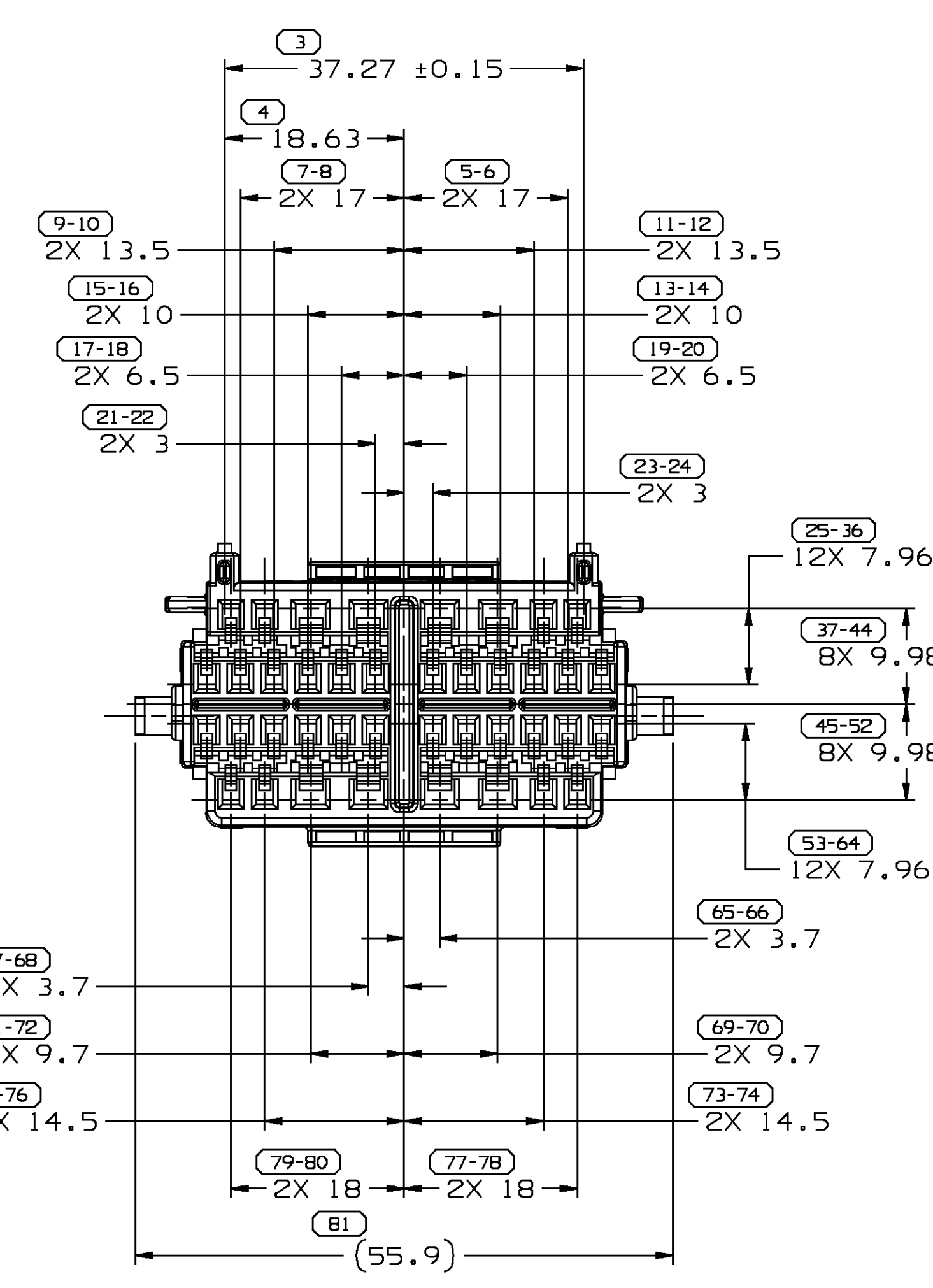
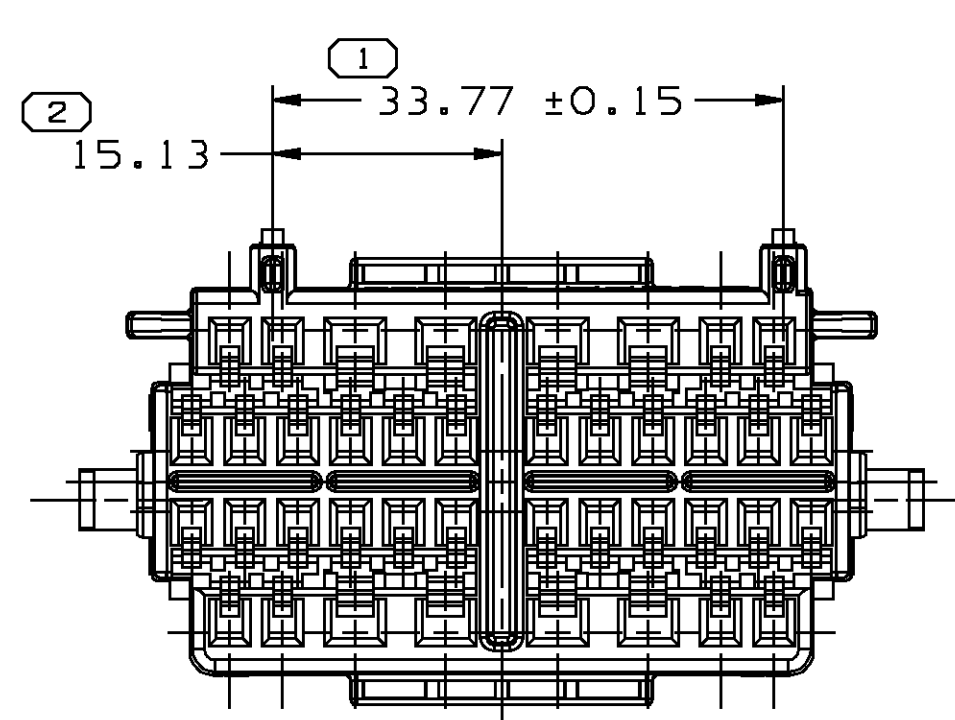
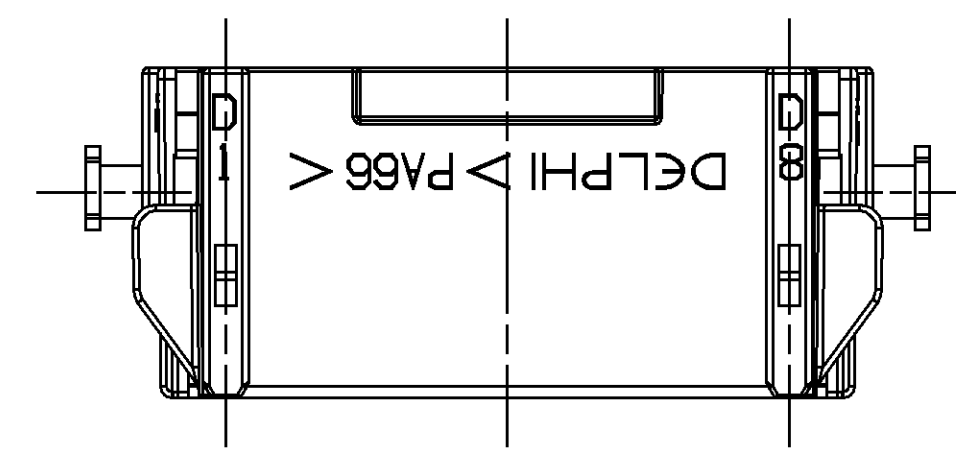
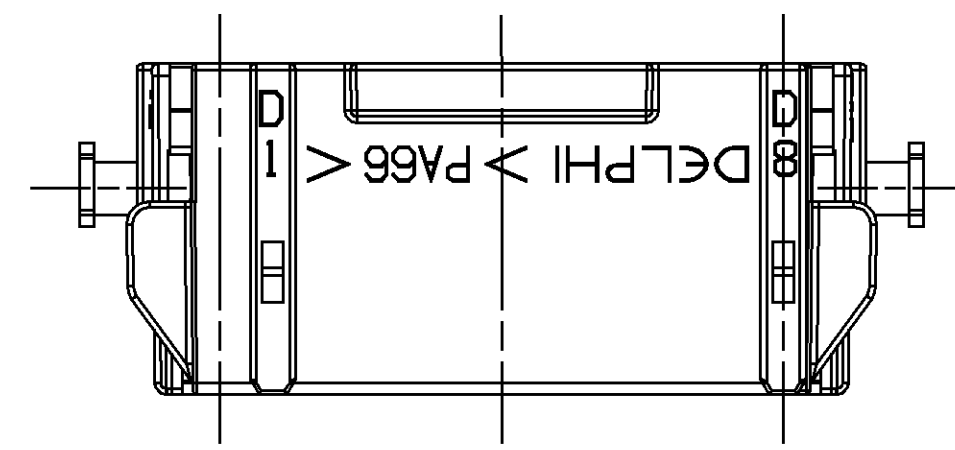


SYMBOL DEFINITION		MISSING NUMBERS	
THE NUMBER INSIDE THE SYMBOL  CORRESPONDS TO THE NUMBER ON THE INSPECTION REPORT FOR THIS DRAWING/PART NUMBER	TOTAL NO. OF SYMBOLS ON DRAWING 29		
	LAST NO. USED 83		

DWG STATUS				ZONE	REVISION HISTORY			AUTH	DR	CK	APVD	
DATE	STG	REV	CHG	N/P		Cleared Rev Column: All Parts - Redrawn to Part Drawing & 15359264 - Released			000005	JTC	PHC	CM
04MR00	R	001	-	-								



TYPE 202  
SAME AS TYPE 201  
EXCEPT AS SHOWN

TYPE 201

- NOTES
- UNLESS OTHERWISE SPECIFIED AND/OR INDICATED: DIMENSIONS ARE TO FACE OF VIEW SHOWN AND AUTOMATICALLY ROUNDED BY COMPUTER FOR INSPECTION (SEE MATH MODEL FOR PRECISE DIMENSIONS). FOR ALL OTHER DIMENSIONS NOT SHOWN BUT REQUIRED FOR TOOL BUILD, SEE MATH MODEL FOR PRECISE TOOL PATH DATA.
  - MATING COMPONENTS OR EQUIVALENT: CONNECTOR - SEE CHART
  - THIS PART ACCEPTS THE FOLLOWING COMPONENTS OR EQUIVALENT: CAVITIES A1, A2, A7, A8, B1, B2, B3, B4, B5, B6, B7, B8, B9, B10, B11, B12, C1, C2, C3, C4, C5, C6, C7, C8, C9, C10, C11, C12, D1, D2, D7 & D8 TO ACCEPT 12191801 TERMINAL OR EQUIVALENT.  
MAX INSULATION CRIMP MUST BE LESS THAN 3.15 HIGH AND 2.8 WIDE.  
CAVITIES A3, A4, A5, A6, D3, D4, D5 & D6 TO ACCEPT 15304710 TERMINAL OR EQUIVALENT.  
MAX INSULATION CRIMP MUST BE LESS THAN 3.65 HIGH AND 4.2 WIDE.  
SECONDARY TERMINAL LOCK (TPA) - 15304842
  - 15358702 IS THE SAME AS 15304837
  - 15358705 IS THE SAME AS 15305217
  - 15359264 IS THE SAME AS 15305217

PART NO	STG	REV	N/P	STATUS	TYPE	MATERIAL SPECIFICATION AND COLOR	VOL CM <sup>3</sup>	MATING CONNECTOR
15359264	R	001			202	R0071787 PA66 HS IM-GRN	11.578	15359263
15358705	R	A			202	R0071769 PA66 HS IM-GRA LT	11.578	15358704
15358702	R	A			201	R0071754 PA66 HS IM-BLK	11.579	15358701

PROCESS SENSITIVE DIMENSION  
DIMENSIONS ENCLOSED IN ( ) INDICATE REFERENCE DIMENSIONS AND NO TOLERANCE LIMITS ARE ESTABLISHED

**DELPHI**  
Automotive Systems

MATERIAL SPEC SEE CHART	DIMENSIONAL RANGE (MM) CHART E		
	FROM TO	> 20   > 30   > 70   > 100	
	TOLERANCE UNLESS OTHERWISE SPECIFIED		
	±0.15   ±0.21   ±0.31   ±0.41   ±0.51		
	ANGULAR TOLERANCE ± 2°		

**PART DRAWING**

CODE NUMBER 6901	DWG DATE 210C96	SCALE 2:1	
QC SPEC	STYLE	VOLUME cm <sup>3</sup> SEE CHRT	

PART GEOMETRY  
3D SOLID

CHANGE RESTRICTED NO MANUAL CHANGES

UNLESS OTHERWISE SPECIFIED:  
PERFECT FORM REQUIRED FOR FEATURES OF SIZE AT MMC. TRUE POSITION TOLERANCES AND RELATED DATUMS APPLY AT CONDITION OF SIZE INDICATED IN FEATURE CONTROL FRAME. ALL OTHER GEOMETRIC TOLERANCES AND RELATED DATUMS APPLY RFS. SEPARATE TRUE POSITION CALLOUTS MAY BE GAGED SEPARATELY, REGARDLESS OF DATUM REFERENCE.

REFERENCE	DR	DATE
002,702	APVD1 V. REED	19AU98
	APVD2 V. REED	19AU98
	APVD3 J. KOUNTZ	31AU98
	APVD4	
	APVD5	

METRIC  
UNLESS OTHERWISE SPECIFIED, ALL DIMENSIONS ARE IN MILLIMETERS

THIRD ANGLE PROJECTION

DRAWING NAME  
TAXI CONN 40F GT 150,280

SHEET NUMBER 2 OF 2	DRAWING NUMBER 15305215	DWG STATUS STG REV N/P R 001 -	SIZE
------------------------	----------------------------	--------------------------------------	------