



AMP | AMP Type III+

TE Internal #: 163081-7

Power Contacts, Contact, Precious Metal, 18 – 16 AWG Wire Size, .75 – 1.5 mm<sup>2</sup> Wire Size, Wire & Cable, Crimp, Power & Signal, Pin, AMP Type III+

[View on TE.com >](#)

Connectors > Power Connectors > Power Contacts



Power Contact Type: **Contact**

Contact Mating Area Plating Material: **Precious Metal**

Wire Size: **.75 – 1.5 mm<sup>2</sup>**

Connector & Contact Terminates To: **Wire & Cable**

## Features

### Product Type Features

Power Contact Type	Contact
Connector & Contact Terminates To	Wire & Cable

### Electrical Characteristics

Test Current	13 A
--------------	------

### Contact Features

Contact Mating Area Plating Material	Precious Metal
Contact Current Rating (Max)	13 A
Contact Type	Pin
Contact Retention Within Housing	With
Mating Pin Diameter	1.57 mm[.062 in]
Contact Base Material	Brass
Contact Mating Area Plating Material Thickness	.76 μm[30 μin]
Contact Mating Area Plating Material Finish	Bright
Wire Contact Termination Area Plating Thickness	.076 μm[3 μin]
Wire Contact Termination Area Plating Material	Gold Flash



Wire Contact Termination Area Plating Material Finish	Bright
Contact Orientation	Straight
Contact Underplating Material	Nickel
Contact Underplating Material Thickness	1.27 μm[50 μin]
Contact Size	16

### Termination Features

Termination Method to Wire & Cable	Crimp
------------------------------------	-------

### Mechanical Attachment

Wire Insulation Support	With
-------------------------	------

### Dimensions

Wire Size	.75 – 1.5 mm <sup>2</sup>
Accepts Wire Insulation Diameter Range	2 – 2.5 mm[.078 – .098 in]

### Usage Conditions

Operating Temperature Range	-55 – 150 °C[-67 – 302 °F]
-----------------------------	----------------------------

### Operation/Application

Circuit Application	Power & Signal
---------------------	----------------

### Identification Marking

Color Code	Blue
------------	------

### Packaging Features

Packaging Method	Reel
Packaging Quantity	5000

### Other

Wire Type	Regular Wire
-----------	--------------

### Product Compliance

[For compliance documentation, visit the product page on TE.com>](#)

EU RoHS Directive 2011/65/EU	Compliant
EU ELV Directive 2000/53/EC	Compliant
China RoHS 2 Directive MIIT Order No 32, 2016	No Restricted Materials Above Threshold
EU REACH Regulation (EC) No. 1907/2006	Current ECHA Candidate List: JUNE 2022 (224)



Candidate List Declared Against: JAN 2022  
(223)  
SVHC > Threshold:  
Not Yet Reviewed

Halogen Content  
Low Halogen - Br, Cl, F, I < 900 ppm per homogenous material. Also BFR/CFR/PVC Free

Solder Process Capability  
Not applicable for solder process capability

Product Compliance Disclaimer

This information is provided based on reasonable inquiry of our suppliers and represents our current actual knowledge based on the information they provided. This information is subject to change. The part numbers that TE has identified as EU RoHS compliant have a maximum concentration of 0.1% by weight in homogenous materials for lead, hexavalent chromium, mercury, PBB, PBDE, DBP, BBP, DEHP, DIBP, and 0.01% for cadmium, or qualify for an exemption to these limits as defined in the Annexes of Directive 2011/65/EU (RoHS2). Finished electrical and electronic equipment products will be CE marked as required by Directive 2011/65/EU. Components may not be CE marked. Additionally, the part numbers that TE has identified as EU ELV compliant have a maximum concentration of 0.1% by weight in homogenous materials for lead, hexavalent chromium, and mercury, and 0.01% for cadmium, or qualify for an exemption to these limits as defined in the Annexes of Directive 2000/53/EC (ELV). Regarding the REACH Regulation, the information TE provides on SVHC in articles for this part number is based on the latest European Chemicals Agency (ECHA) 'Guidance on requirements for substances in articles' posted at this URL: <https://echa.europa.eu/guidance-documents/guidance-on-reach>

## Compatible Parts



TE Part # 58495-2  
PROCRIMPER DIE ASSY MULTIMATE



TE Part # 91505-1  
CCII TYPE III+ 24-16 ASSY



TE Part # 200893-2  
INSERTION TOOL CONT



TE Part # 58495-1  
PRO CRIMPER ASSY MULTIMATE



TE Part # 539972-1  
EXTRACTION TOOL



TE Part # 305183  
EXTRACT TOOL TYPE 2 20-16



TE Part # 2305570-1  
TERMINAL CUTTER, SIDE FEED



TE Part # 2151023-1  
OCEAN\_2.0\_Applicator-S-080F1200



TE Part # 2-2151023-1  
OCEAN\_2.0\_Applicator-S-080F1200



TE Part # 2-2151023-2  
OCEAN\_2.0\_Applicator-S-080F1200



TE Part # 2151023-2  
OCEAN\_2.0\_Applicator-S-080F1200



TE Part # 5-2151023-1  
OCEAN\_2.0\_Applicator-S-080F1200



TE Part # 5-2151023-2  
OCEAN\_2.0\_Applicator-S-080F1200

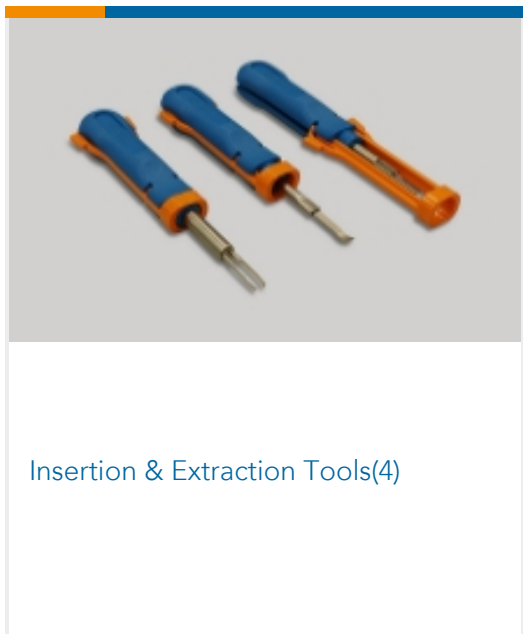


TE Part # 7-2151023-7  
OCEAN\_2.0\_SPARE\_PART\_KIT-080F1200

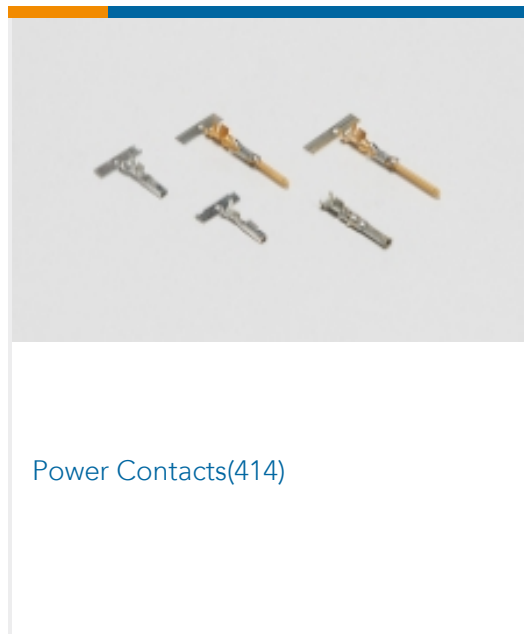


TE Part # 169422-1  
MINI CERTI-LOK III+

Also in the Series | AMP Type III+



Insertion & Extraction Tools(4)



Power Contacts(414)

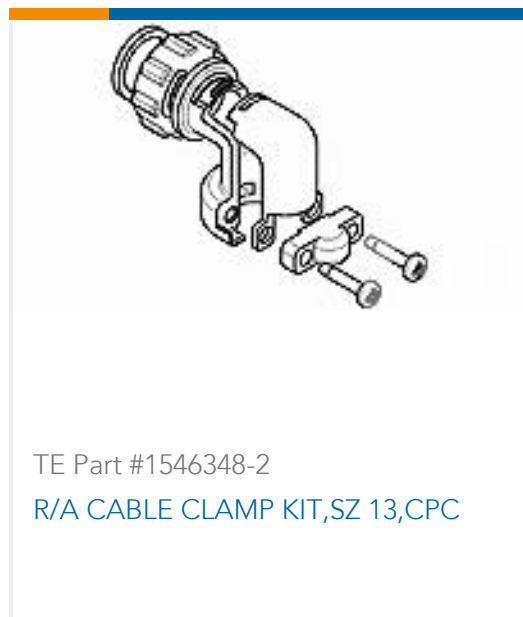
Customers Also Bought



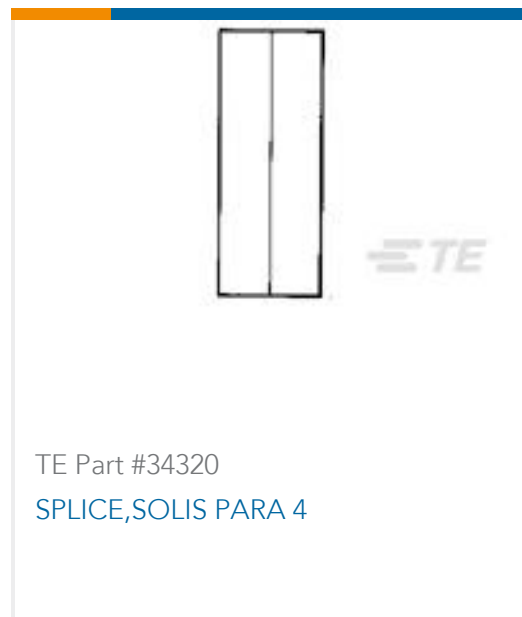
TE Part #206705-4  
CPC RECPT ASSEMBLY SIZE 13-9



TE Part #66100-8  
III+ SKT,18-16,15AU/FL,STRIP



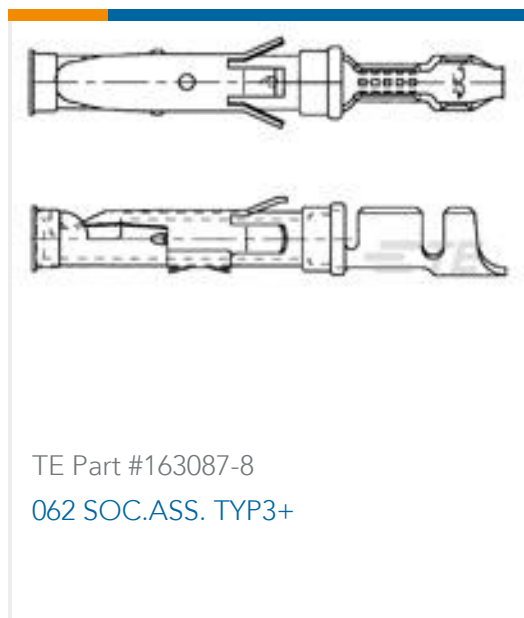
TE Part #1546348-2  
R/A CABLE CLAMP KIT,SZ 13,CPC



TE Part #34320  
SPLICE,SOLIS PARA 4



TE Part #323754  
SPLICE,SOLIS PARA HR 12-10



TE Part #163087-8  
062 SOC.ASS. TYP3+



TE Part #323794  
SPLICE,SOLIS PARA HR 16-14



TE Part #66359-5  
III+ PIN,18-14,30AU>10,STRIP



## Documents

### Product Drawings

[.062 DIA PIN ASSY 3+](#)

English

### CAD Files

[3D PDF](#)

3D

Customer View Model

[ENG\\_CVM\\_CVM\\_163081-7\\_BA.2d\\_dxf.zip](#)

English

Customer View Model

[ENG\\_CVM\\_CVM\\_163081-7\\_BA.3d\\_igs.zip](#)

English

Customer View Model

[ENG\\_CVM\\_CVM\\_163081-7\\_BA.3d\\_stp.zip](#)

English

By downloading the CAD file I accept and agree to the [Terms and Conditions](#) of use.

### Product Specifications

[Product Specification](#)

English

### Product Environmental Compliance

[TE Material Declaration](#)

English