



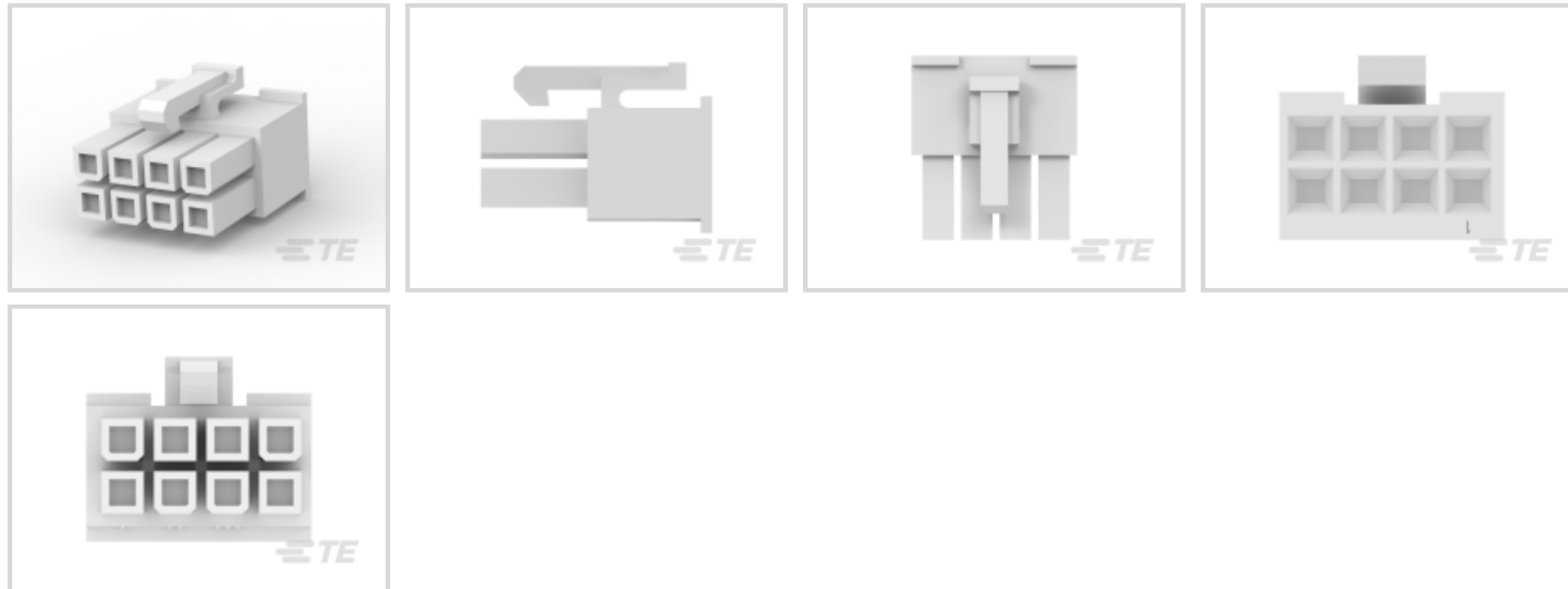
VAL-U-LOK

TE Internal #: 1586019-8

Rectangular Power Connectors, Housing, Receptacle, Wire-to-Board / Wire-to-Wire, 8 Position, .165 in [4.2 mm] Centerline, Wire & Cable, UL 94V-0

[View on TE.com >](#)

Connectors > Power Connectors > Rectangular Power > Rectangular Power Connectors



Rectangular Power Connector Type: **Housing**

Connector & Housing Type: **Receptacle**

Connector System: **Wire-to-Board, Wire-to-Wire**

Number of Positions: **8**

Centerline (Pitch): **4.2 mm [.165 in]**

Features

Product Type Features

| | |
|-----------------------------------|-----------------------------|
| Rectangular Power Connector Type | Housing |
| Connector & Housing Type | Receptacle |
| Connector System | Wire-to-Board, Wire-to-Wire |
| Sealable | No |
| Connector & Contact Terminates To | Wire & Cable |

Configuration Features

| | |
|---------------------|---|
| Number of Positions | 8 |
| Number of Rows | 2 |

Electrical Characteristics

| | |
|-------------------|---------|
| Operating Voltage | 600 VAC |
|-------------------|---------|

Contact Features

| | |
|----------------------------------|------------|
| Contact Layout | Matrix |
| Contact Retention Within Housing | Without |
| Contact Type | Receptacle |



Termination Features

| | |
|------------------------------------|---------------|
| Termination Method to Wire & Cable | Crimp |
| Wire/Cable Type | Discrete Wire |

Mechanical Attachment

| | |
|-------------------------|----------------------------|
| Connector Mounting Type | Cable Mount (Free-Hanging) |
|-------------------------|----------------------------|

Housing Features

| | |
|--------------------|------------------|
| Centerline (Pitch) | 4.2 mm [.165 in] |
| Housing Color | White |
| Housing Material | Nylon |

Dimensions

| | |
|--|-------------------------------|
| Row-to-Row Spacing | 4.2 mm [.165 in] |
| Width | 20 mm [.787 in] |
| Accepts Wire Insulation Diameter Range | 1.2 – 3.1 mm [.047 – .122 in] |
| Height | 11.8 mm [.464 in] |
| Length | 18 mm [.709 in] |

Usage Conditions

| | |
|-----------------------------|-----------------------------|
| Operating Temperature Range | -40 – 105 °C [-40 – 221 °F] |
| Insertion Force | 15 Newton |

Operation/Application

| | |
|------------------------------|----------------|
| Assembly Integration Feature | Without |
| Circuit Application | Power & Signal |

Identification Marking

| | |
|--------------------------------|------|
| Circuit Identification Feature | With |
|--------------------------------|------|

Industry Standards

| | |
|------------------------|-------------------------------|
| UL Flammability Rating | UL 94V-0 |
| Glow Wire Rating | Standard Part - Not Glow Wire |
| Agency/Standard Number | E28476 |
| Agency/Standard | UL |
| UL Rating | Recognized |
| VDE Tested | No |

Packaging Features



| | |
|--------------------|-----|
| Packaging Method | Bag |
| Packaging Quantity | 500 |

Product Compliance

[For compliance documentation, visit the product page on TE.com>](#)

| | |
|---|--|
| EU RoHS Directive 2011/65/EU | Compliant |
| EU ELV Directive 2000/53/EC | Compliant |
| China RoHS 2 Directive MIIT Order No 32, 2016 | No Restricted Materials Above Threshold |
| EU REACH Regulation (EC) No. 1907/2006 | Current ECHA Candidate List: JUNE 2022 (224) Candidate List Declared Against: JAN 2022 (223) SVHC > Threshold: Not Yet Reviewed |
| Halogen Content | Low Halogen - Br, Cl, F, I < 900 ppm per homogenous material. Also BFR/CFR/PVC Free |
| Solder Process Capability | Not applicable for solder process capability |

Product Compliance Disclaimer

This information is provided based on reasonable inquiry of our suppliers and represents our current actual knowledge based on the information they provided. This information is subject to change. The part numbers that TE has identified as EU RoHS compliant have a maximum concentration of 0.1% by weight in homogenous materials for lead, hexavalent chromium, mercury, PBB, PBDE, DBP, BBP, DEHP, DIBP, and 0.01% for cadmium, or qualify for an exemption to these limits as defined in the Annexes of Directive 2011/65/EU (RoHS2). Finished electrical and electronic equipment products will be CE marked as required by Directive 2011/65/EU. Components may not be CE marked. Additionally, the part numbers that TE has identified as EU ELV compliant have a maximum concentration of 0.1% by weight in homogenous materials for lead, hexavalent chromium, and mercury, and 0.01% for cadmium, or qualify for an exemption to these limits as defined in the Annexes of Directive 2000/53/EC (ELV). Regarding the REACH Regulation, the information TE provides on SVHC in articles for this part number is based on the latest European Chemicals Agency (ECHA) 'Guidance on requirements for substances in articles' posted at this URL: <https://echa.europa.eu/guidance-documents/guidance-on-reach>

Compatible Parts



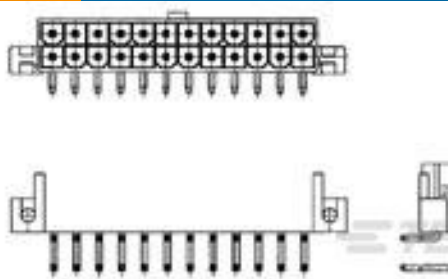
TE Part # 1586017-8
8P FH PLUG VAL-U-LOK V0



TE Part # 1586038-8
8P VRT HDR VAL-U-LOK V0



TE Part # 1586018-8
8P PM PLUG VAL-U-LOK V0



TE Part # 1586044-8
8P VAL-U-LOK R/A HDR SCR MT V0




TE Part # 1586587-8
8P VAL-U-LOK BMI VRT HDR V0



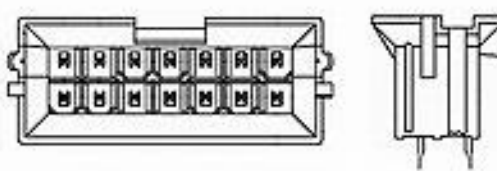
TE Part # 1969612-8
8P FH PLUG VAL-U-LOK V0



TE Part # 1586040-8
8P VAL-U-LOK VRT HDR W/P V0



TE Part # 1586042-8
8P VAL-U-LOK R/A HDR V0



TE Part # 1586588-8
8P VAL-U-LOK BMI VRT HDR V0



TE Part # 1969613-8
8P PM PLUG VAL-U-LOK V0



TE Part # 2029091-2
2P RCPT VAL-U-LOK V2 RED



TE Part # 2029100-4
4P RCPT VAL-U-LOK V0 BLUE

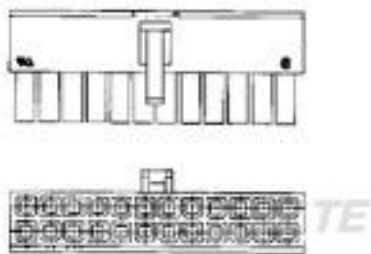


TE Part # 2825272-8
8P VERT HDR VAL-U-LOK HCS GW

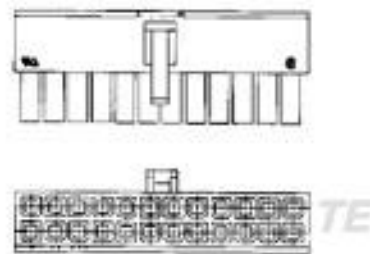


TE Part # 5-1586019-8
8P RCPT VAL-U-LOK V0 W/O LOWER BACK STEP

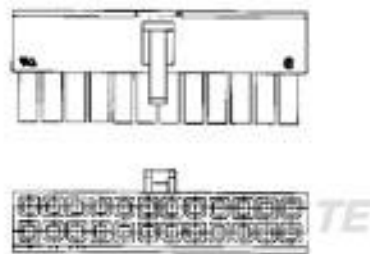
Customers Also Bought



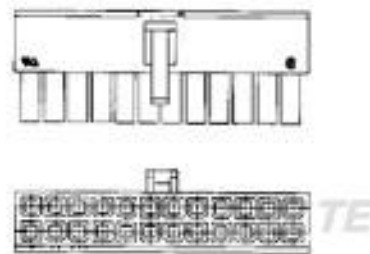
TE Part #1-1586019-8
18P RCPT VAL-U-LOK V0



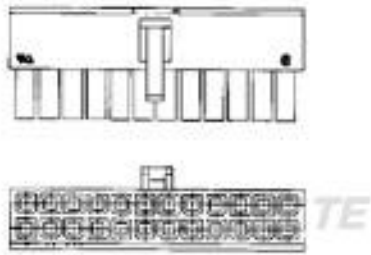
TE Part #2-1586019-4
24P RCPT VAL-U-LOK V0



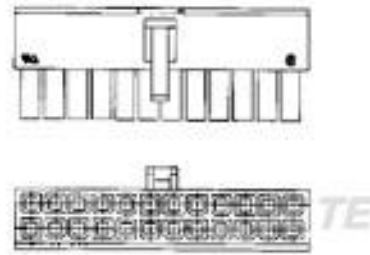
TE Part #1-1586019-0
10P RCPT VAL-U-LOK V0



TE Part #1-1586019-6
16P RCPT VAL-U-LOK V0



TE Part #1586019-4
4P RCPT VAL-U-LOK V0



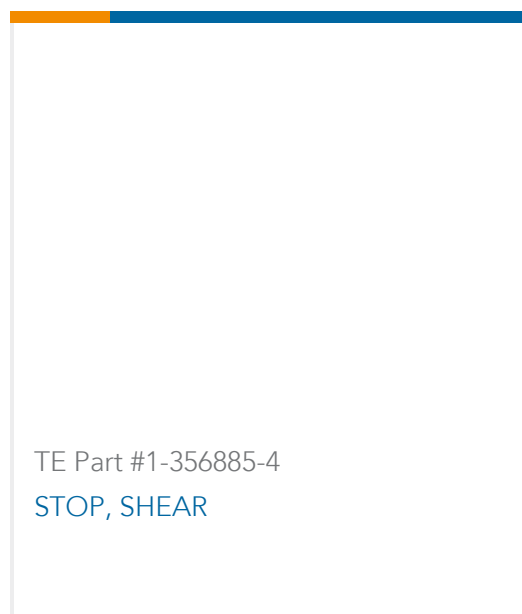
TE Part #1586019-2
2P RCPT VAL-U-LOK V0



TE Part #1586017-8
8P FH PLUG VAL-U-LOK V0



TE Part #62109-1
250 FASTON REC 18-14 AWG BR



Documents

Product Drawings

[8P RCPT VAL-U-LOK V0](#)

English

CAD Files

[3D PDF](#)

3D

Customer View Model

[ENG_CVM_CVM_1586019-8_C.2d_dxf.zip](#)

English

Customer View Model

[ENG_CVM_CVM_1586019-8_C.3d_igs.zip](#)

English

Customer View Model

[ENG_CVM_CVM_1586019-8_C.3d_stp.zip](#)

English

By downloading the CAD file I accept and agree to the [Terms and Conditions](#) of use.

Datasheets & Catalog Pages

[SOFT_SHELL_PIN_AND_SOCKET_CONNECTORS_CATALOG](#)

English

Product Specifications

[Application Specification](#)

English

Product Environmental Compliance

[MD_1586019-8_08092018052_dmtec](#)

English

[MD_1586019-8_08092018052_dmtec](#)

English

Agency Approvals

[UL Report](#)

English