

1544317-2 ✓ ACTIVE

NG Power Terminals and Connectors, NG1

TE Internal #: 1544317-2

Housing for Female Terminals, Wire-to-Wire, 2 Position, .472 in [12 mm] Centerline, Sealable, Blue, Signal, Cable Mount (Free-Hanging), Hybrid

[View on TE.com >](#)



Connectors > Automotive Connectors > Connector Housings



Connector & Housing Type: **Housing for Female Terminals**

Mating Tab Width: **.64 mm, 1.5 mm [.025 in, .059 in]**

Connector System: **Wire-to-Wire**

Number of Positions: **2**

Centerline (Pitch): **12 mm [.472 in]**

Features

Product Type Features

Connector & Housing Shape	Rectangular
Connector & Housing Type	Housing for Female Terminals
Connector System	Wire-to-Wire
Sealable	Yes
Hybrid Connector	No
Primary Locking Feature	Integrated in Housing

Configuration Features

Number of Positions	2
Number of Rows	1

Electrical Characteristics

Operating Voltage	13 VDC
Nominal Voltage Architecture	12 V

Body Features

Cable Exit Angle	180°
Body Material	PBT
Primary Product Color	Blue

Contact Features

Contact Size	8mm
--------------	-----



Contact Type	Receptacle
Mating Tab Width	.64 mm, 1.5 mm [.025 in][.059 in]

Mechanical Attachment

Mounting Feature	Without
Terminal Position Assurance	Yes
Strain Relief	Without
Mating Alignment Type	Keyed
Mating Alignment	With
Connector Mounting Type	Cable Mount (Free-Hanging)

Housing Features

Centerline (Pitch)	12 mm [.472 in]
--------------------	-----------------

Dimensions

Product Width	29.8 mm [1.173 in]
Product Length	34.6 mm [1.362 in]
Product Height	29.8 mm [1.173 in]

Usage Conditions

Operating Temperature (Max)	70 °C, 75 °C, 80 °C, 85 °C, 90 °C, 100 °C, 105 °C, 110 °C, 120 °C, 125 °C [158 °F][167 °F][176 °F][185 °F][194 °F][212 °F][221 °F][230 °F][248 °F][257 °F]
Operating Temperature Range	-40 – 125 °C [-40 – 257 °F]

Operation/Application

Circuit Application	Signal
---------------------	--------

Industry Standards

Degree of Protection	IP67
UL Flammability Rating	UL 94HB

Packaging Features

Packaging Quantity	750
Packaging Method	Box

Other

Serviceable	Yes
Connector Position Assurance Capable	No



Product Compliance





[For compliance documentation, visit the product page on TE.com>](#)

EU RoHS Directive 2011/65/EU	Compliant
EU ELV Directive 2000/53/EC	Compliant
China RoHS 2 Directive MIIT Order No 32, 2016	No Restricted Materials Above Threshold
EU REACH Regulation (EC) No. 1907/2006	Current ECHA Candidate List: JUNE 2022 (224) Candidate List Declared Against: JAN 2022 (223) SVHC > Threshold: Not Yet Reviewed
Halogen Content	Low Halogen - Br, Cl, F, I < 900 ppm per homogenous material. Also BFR/CFR/PVC Free
Solder Process Capability	Not applicable for solder process capability

Product Compliance Disclaimer

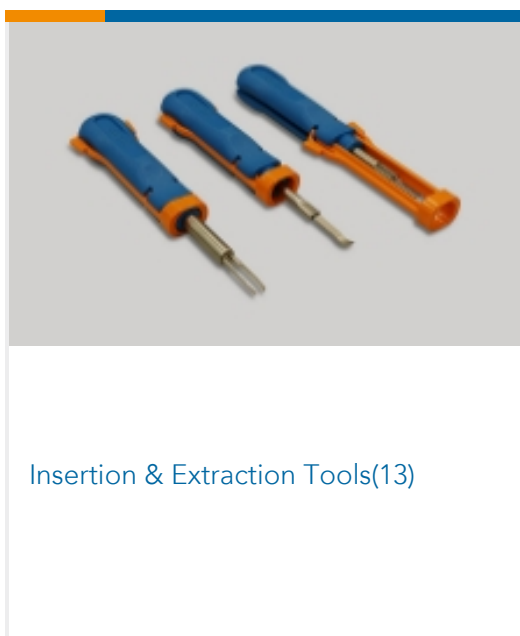
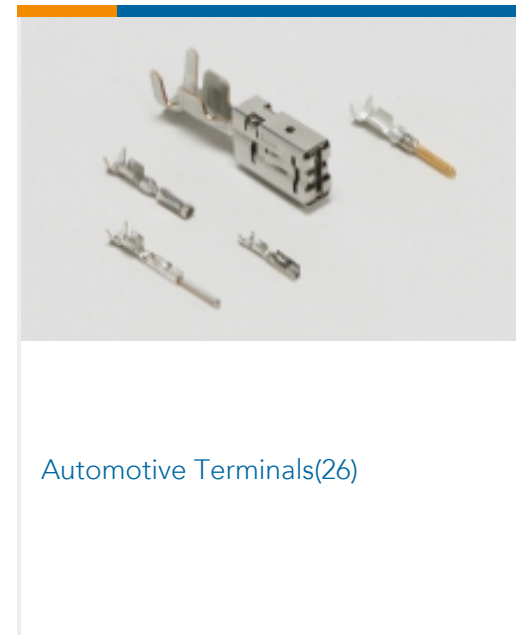
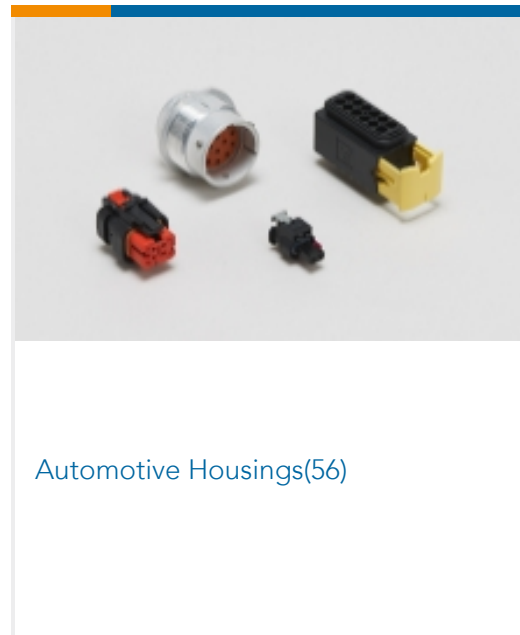
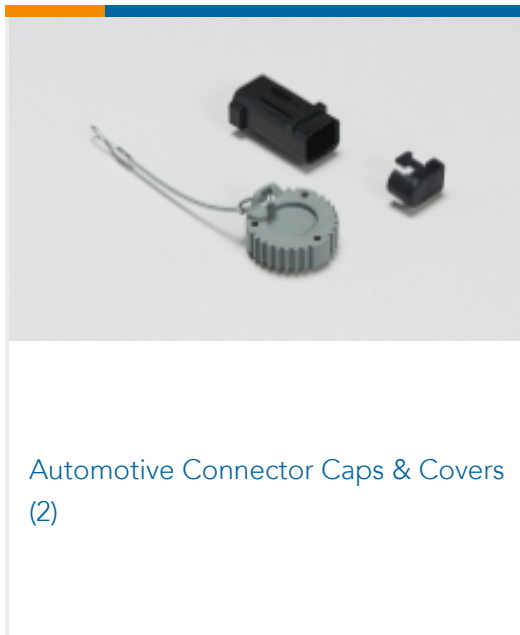
This information is provided based on reasonable inquiry of our suppliers and represents our current actual knowledge based on the information they provided. This information is subject to change. The part numbers that TE has identified as EU RoHS compliant have a maximum concentration of 0.1% by weight in homogenous materials for lead, hexavalent chromium, mercury, PBB, PBDE, DBP, BBP, DEHP, DIBP, and 0.01% for cadmium, or qualify for an exemption to these limits as defined in the Annexes of Directive 2011/65/EU (RoHS2). Finished electrical and electronic equipment products will be CE marked as required by Directive 2011/65/EU. Components may not be CE marked. Additionally, the part numbers that TE has identified as EU ELV compliant have a maximum concentration of 0.1% by weight in homogenous materials for lead, hexavalent chromium, and mercury, and 0.01% for cadmium, or qualify for an exemption to these limits as defined in the Annexes of Directive 2000/53/EC (ELV). Regarding the REACH Regulation, the information TE provides on SVHC in articles for this part number is based on the latest European Chemicals Agency (ECHA) 'Guidance on requirements for substances in articles' posted at this URL: <https://echa.europa.eu/guidance-documents/guidance-on-reach>

Compatible Parts

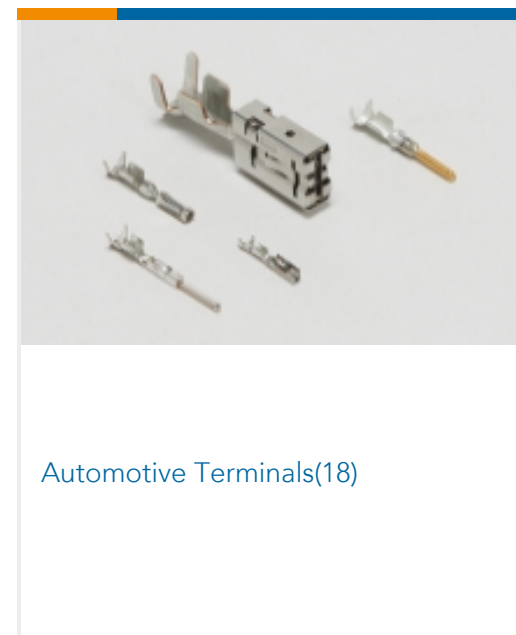
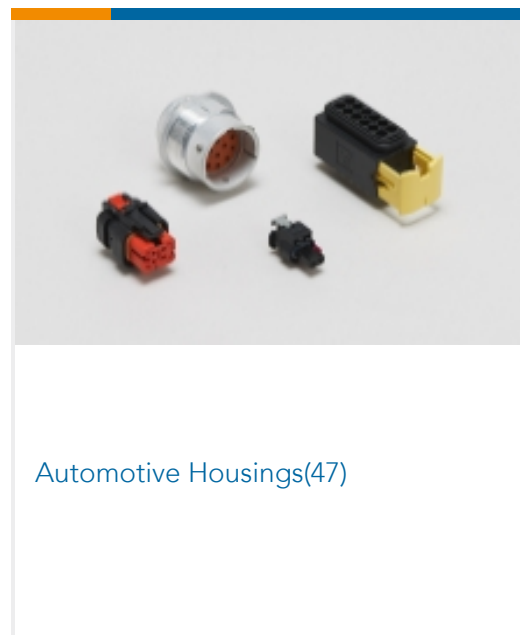
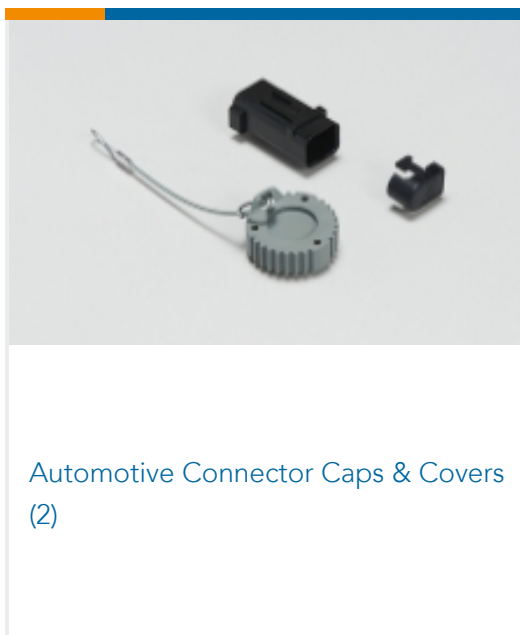
 <p>TE Part # 1544228-1 CLIP 8 MM NG1-1 PO</p>	 <p>TE Part # 1544227-1 CLIP 8 MM NG1-1 PO</p>	 <p>TE Part # 1544334-2 PL 2V 8MM NG1 MONT</p>	 <p>TE Part # 1579018-3 INSERTION TOOL</p>
---	--	---	---

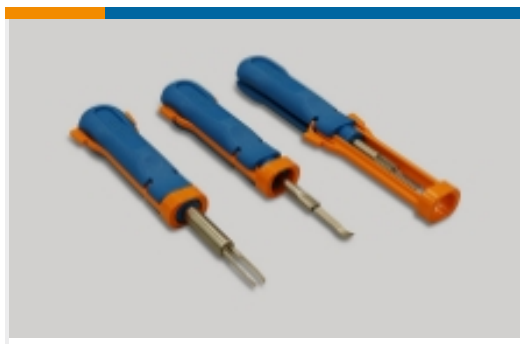


Also in the Series | NG Power Terminals and Connectors



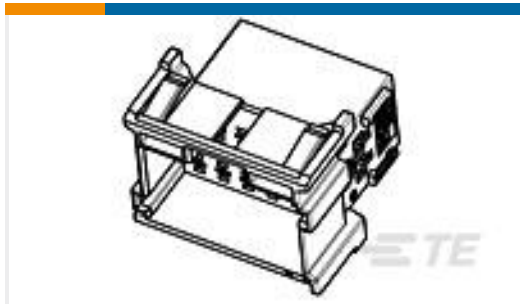
Also in the Series | NG1



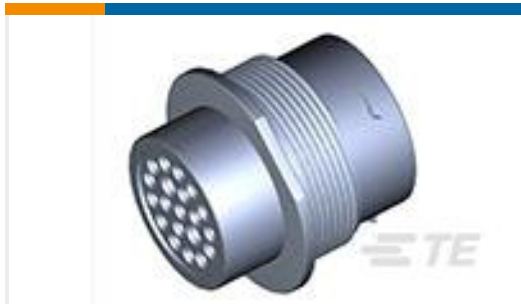


Insertion & Extraction Tools(12)

Customers Also Bought



TE Part #1-967630-5
FLACHSTE-GEH2,8 21P



TE Part #HDP24-18-20PE
REC, 20P, BLK, E, 16/20, P



TE Part #1544317-1
PC 2V 8MM WP NG1 N



TE Part #1544316-2
JOINT ORANGE G3



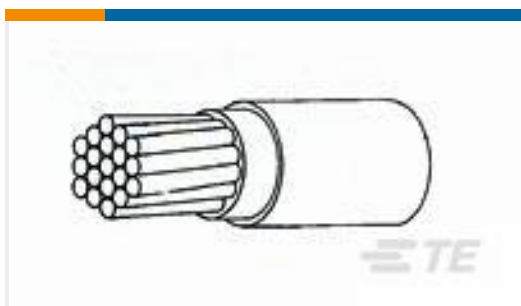
TE Part #1544316-1
JOINT VERT G2



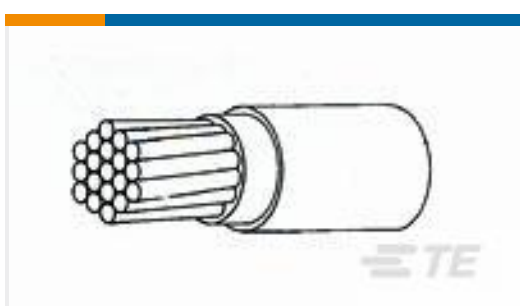
TE Part #1544334-2
PL 2V 8MM NG1 MONT



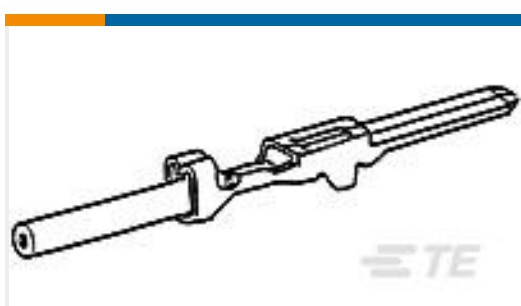
TE Part #5-2103177-1
PLUG ASSY, KEY A, FA, HVA280-2PHI
XE



TE Part #D024333001
44A0111-24-2CK0300



TE Part #CD21303001
44A0111-24-0CK2000



TE Part #284080-1
.070 TAB CONT.NEW.GEN. (0,3 TO

Documents

Product Drawings

[PC 2V 8MM WP NG1 B](#)

English

[PC 2V 8MM WP NG1 B](#)

English

[PC 2V 8MM WP NG1 B](#)

English



CAD Files

3D PDF

English

Customer View Model

[ENG_CVM_1544317-2_F.3d_igs.zip](#)

English

Customer View Model

[ENG_CVM_1544317-2_F.3d_stp.zip](#)

English

Customer View Model

[ENG_CVM_1544317-2_F.2d_dxf.zip](#)

English

By downloading the CAD file I accept and agree to the [Terms and Conditions](#) of use.

Product Specifications

Product Specification

English

Product Specification

French

Instruction Sheets

Instruction Sheet (non U.S.)

English

Instruction Sheet (non U.S.)

French