

1612290-1 ✓ ACTIVE

AMP | TH/.025 Connector System

TE Internal #: 1612290-1

Automotive Terminals, Receptacle, Mating Tab Width .64 mm [.025 in], Tab Thickness .025 in [.64 mm], 24 – 22 AWG Wire Size, TH/.025 Connector System

[View on TE.com >](#)



Terminals & Splices > Automotive Terminals > TH/.025 CONNECTOR SYSTEM, RECPT AND TAB



Terminal Type: **Receptacle**

Mating Tab Width: **.64 mm [.025 in]**

Mating Tab Thickness: **.64 mm [.025 in]**

Terminal Transmits: **0 – 24 A (Low Power)**

Wire Size: **24 – 22 AWG**

[All TH/.025 CONNECTOR SYSTEM, RECPT AND TAB \(26\)](#)

Features

Product Type Features

Receptacle Style	180°
Sealable	Yes
Primary Locking Feature	Clean Body

Body Features

Terminal Seal Type	Single Wire Seal (SWS)
--------------------	------------------------

Contact Features

Contact Size	.64mm
Contact Fabrication	Stamped & Formed
Typical Current Rating	4 A
Crimp Type	F-Crimp
Terminal Type	Receptacle
Mating Tab Width	.64 mm [.025 in]
Mating Tab Thickness	.64 mm [.025 in]
Interface Plating	Tin (Sn)
Contact Termination Area Plating Material	Tin (Sn)

Termination Features



Termination Method to Wire & Cable	Crimp
Product Terminates To	Wire

Dimensions

Wire Size	.22 – .35 mm ²
Wire Size Search	22 AWG, 23 AWG, 24 AWG
Wire Insulation Diameter	1.1 – 1.5 mm

Usage Conditions

Insulation Option	Uninsulated
Operating Temperature (Max)	80 °C, 85 °C, 90 °C, 100 °C, 105 °C, 110 °C, 120 °C, 125 °C[176 °F][185 °F][194 °F][212 °F][221 °F][230 °F][248 °F][257 °F]
Operating Temperature Range	-40 – 125 °C[-40 – 257 °F]

Operation/Application

Compatible With Wire Base Material	Copper
------------------------------------	--------

Packaging Features

Packaging Method	Reel
Packaging Quantity	7500

Other

Terminal Transmits	0 – 24 A (Low Power)
--------------------	----------------------

Product Compliance

[For compliance documentation, visit the product page on TE.com>](#)

EU RoHS Directive 2011/65/EU	Compliant
EU ELV Directive 2000/53/EC	Compliant
China RoHS 2 Directive MIIT Order No 32, 2016	No Restricted Materials Above Threshold
EU REACH Regulation (EC) No. 1907/2006	Current ECHA Candidate List: JUNE 2022 (224) Candidate List Declared Against: JAN 2022 (223) SVHC > Threshold: Not Yet Reviewed
Halogen Content	Low Halogen - Br, Cl, F, I < 900 ppm per homogenous material. Also BFR/CFR/PVC Free
Solder Process Capability	Not reviewed for solder process capability



Product Compliance Disclaimer

This information is provided based on reasonable inquiry of our suppliers and represents our current actual knowledge based on the information they provided. This information is subject to change. The part numbers that TE has identified as EU RoHS compliant have a maximum concentration of 0.1% by weight in homogenous materials for lead, hexavalent chromium, mercury, PBB, PBDE, DBP, BBP, DEHP, DIBP, and 0.01% for cadmium, or qualify for an exemption to these limits as defined in the Annexes of Directive 2011/65/EU (RoHS2). Finished electrical and electronic equipment products will be CE marked as required by Directive 2011/65/EU. Components may not be CE marked. Additionally, the part numbers that TE has identified as EU ELV compliant have a maximum concentration of 0.1% by weight in homogenous materials for lead, hexavalent chromium, and mercury, and 0.01% for cadmium, or qualify for an exemption to these limits as defined in the Annexes of Directive 2000/53/EC (ELV). Regarding the REACH Regulation, the information TE provides on SVHC in articles for this part number is based on the latest European Chemicals Agency (ECHA) 'Guidance on requirements for substances in articles' posted at this URL: <https://echa.europa.eu/guidance-documents/guidance-on-reach>

Compatible Parts



TE Part # 2-2837647-1
OCEAN-2.0-APPLICATOR-S-055F0900



TE Part # 2-2837647-2
OCEAN-2.0-APPLICATOR-S-055F0900



TE Part # 2837647-1
OCEAN-2.0-APPLICATOR-S-055F0900



TE Part # 2837647-2
OCEAN-2.0-APPLICATOR-S-055F0900



TE Part # 7-2837647-1
OCEAN-2.0-APPLICATOR-S-055F0900



TE Part # 7-2837647-2
OCEAN-2.0-APPLICATOR-S-055F0900



TE Part # 7-2837647-7
OCEAN_2.0_SPARE_PART_KIT-055F0900




TE Part # CAT-T319-CH8172
TH/.025 CONNECTOR SYSTEM, HOUSING

Also in the Series | TH/.025 Connector System



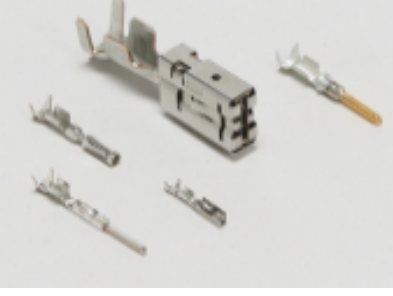
Automotive Connector Caps & Covers (6)



Automotive Housings(203)



Automotive Seals & Cavity Plugs(2)



Automotive Terminals(25)



Insertion & Extraction Tools(4)



Other Automotive Connector Accessories(5)



PCB Headers & Receptacles(144)

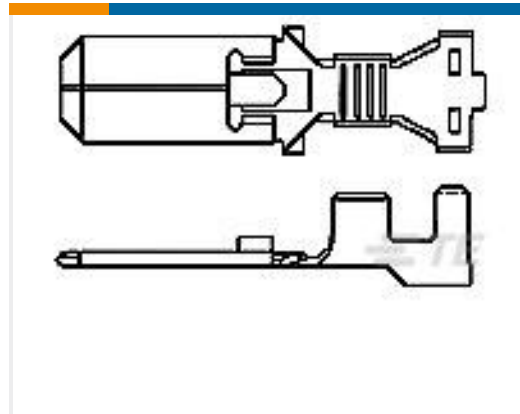
Customers Also Bought



TE Part #170454-2
PL 250 AM REC 18-14 0.40 X 21 PRE-TPBR



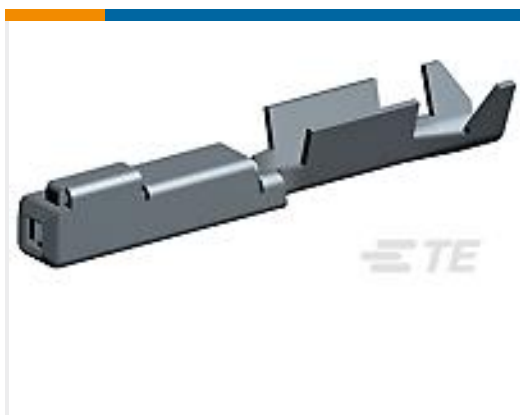
TE Part #316832-1
040-3 SEALED CONT. REC. S



TE Part #344067-1
.250" SPEC.F.TAB.(PLATED)



TE Part #1746863-1
0.64III/2.3II 26POS PLUG ASSY



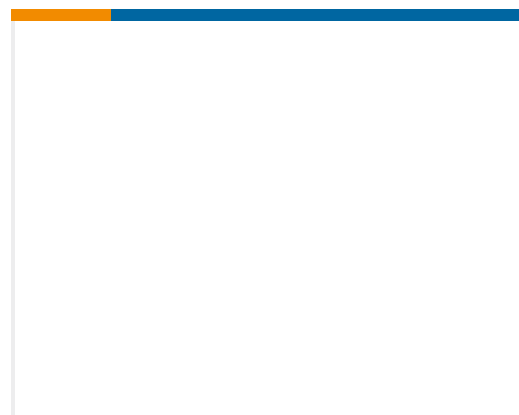
TE Part #2040168-1
0.64 RCPT SEALED TIN STRIP(L SIZE)



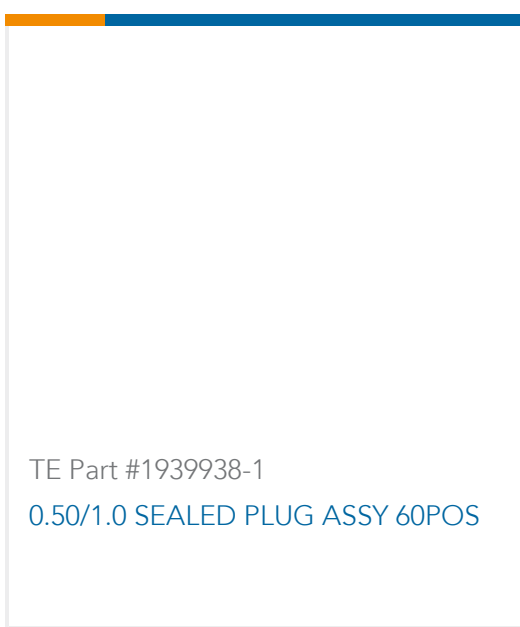
TE Part #1827120-1
SQUIB LOCKING BUTTON



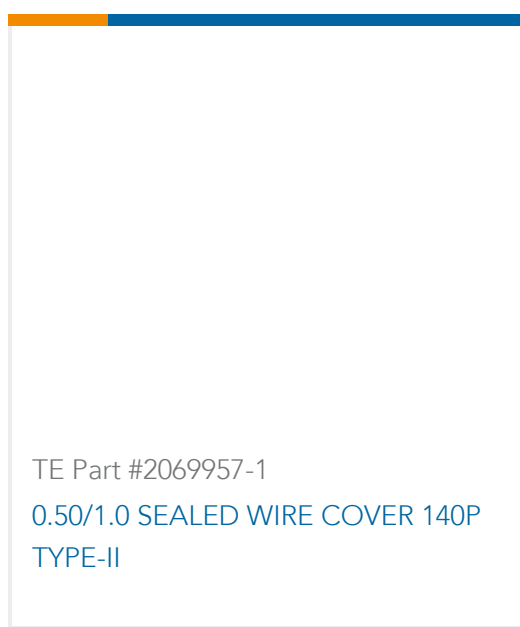
TE Part #2013360-2
0.50/1.0 SEALED WIRE COVER 140POS



TE Part #2040009-1
0.50/1.0 SEALED WIRE COVER ASSY 60POS



TE Part #1939938-1
0.50/1.0 SEALED PLUG ASSY 60POS



TE Part #2069957-1
0.50/1.0 SEALED WIRE COVER 140P TYPE-II

Documents

Product Drawings

[0.64 RCPT SEALED TIN STRIP](#)

Japanese

CAD Files

[3D PDF](#)

3D

[Customer View Model](#)

[ENG_CVM_CVM_1612290-1_E.2d_dxf.zip](#)



English

Customer View Model

[ENG_CVM_CVM_1612290-1_E.3d_igs.zip](#)

English

Customer View Model

[ENG_CVM_CVM_1612290-1_E.3d_stp.zip](#)

English

By downloading the CAD file I accept and agree to the [Terms and Conditions](#) of use.

Datasheets & Catalog Pages

TH/.025 Connector Series

English

Product Specifications

CRIMPING OF SEALED 0.64 RECEPTACLE

Japanese

Application Specification

Japanese

CRIMPING OF SEALED 0.64 RECEPTACLE CONTACT

Japanese

Application Specification

Japanese

Product Environmental Compliance

Product Compliance

English

Product Compliance

English

Instruction Sheets

Instruction Sheet (non U.S.)

Japanese

Instruction Sheet (non U.S.)

Japanese