



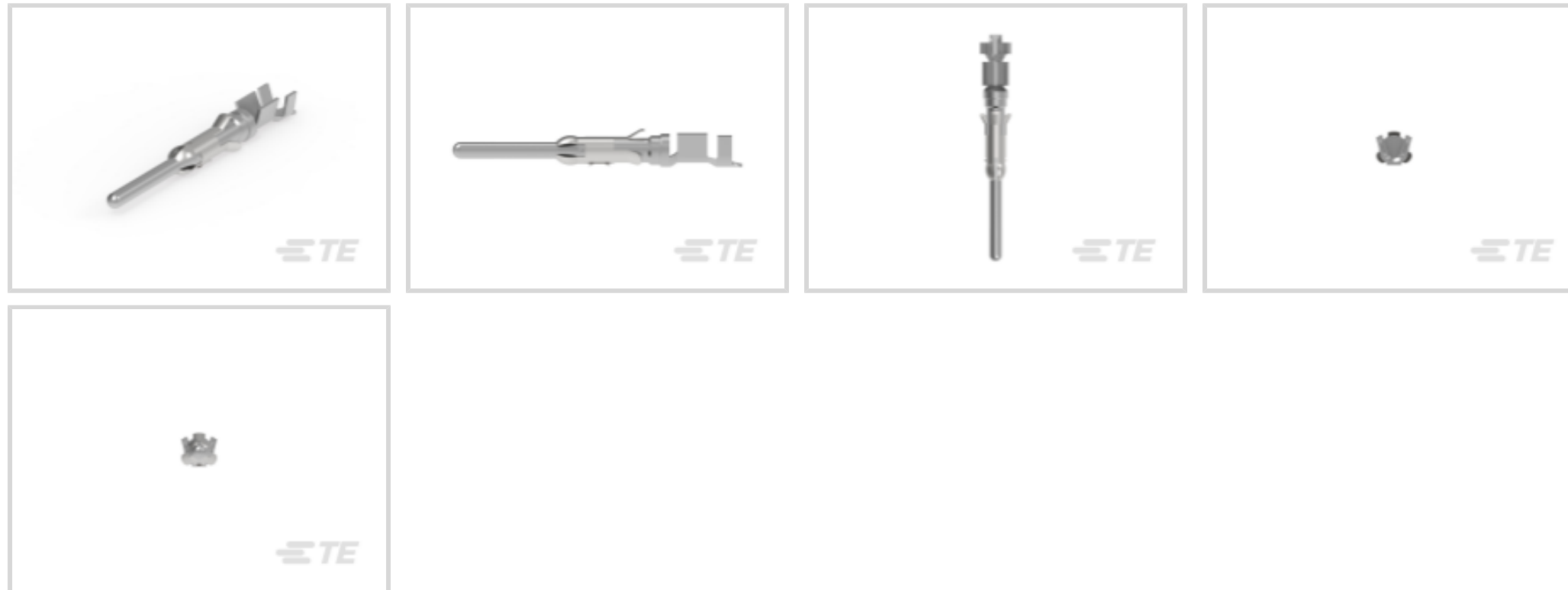
AMP | AMP Type III+

TE Internal #: 163766-1

Power Contacts, Contact, Tin, 18 – 15 AWG Wire Size, .75 – 1.5 mm<sup>2</sup> Wire Size, Wire & Cable, Crimp, Power & Signal, Pin, AMP Type III+

[View on TE.com >](#)

Connectors > Power Connectors > Power Contacts



Power Contact Type: **Contact**

Contact Mating Area Plating Material: **Tin**

Wire Size: **.75 – 1.5 mm<sup>2</sup>**

Connector & Contact Terminates To: **Wire & Cable**

**Features**

**Product Type Features**

Power Contact Type	Contact
Connector & Contact Terminates To	Wire & Cable

**Electrical Characteristics**

Test Current	13 A
--------------	------

**Contact Features**

Contact Mating Area Plating Material	Tin
Contact Current Rating (Max)	13 A
Contact Type	Pin
Contact Retention Within Housing	With
Mating Pin Diameter	1.57 mm[.062 in]
Contact Base Material	Phosphor Bronze
Contact Mating Area Plating Material Thickness	1.02 μm[40 μin]
Contact Mating Area Plating Material Finish	Bright
Wire Contact Termination Area Plating Thickness	1.02 μm[40 μin]
Wire Contact Termination Area Plating Material	Tin



Wire Contact Termination Area Plating Material Finish	Bright
Contact Orientation	Straight
Contact Underplating Material	Nickel
Contact Underplating Material Thickness	1.27 µm[50 µin]
Contact Size	16

### Termination Features

Termination Method to Wire & Cable	Crimp
------------------------------------	-------

### Mechanical Attachment

Wire Insulation Support	With
-------------------------	------

### Dimensions

Wire Size	.75 – 1.5 mm <sup>2</sup>
Accepts Wire Insulation Diameter Range	2.01 – 2.49 mm[.078 – .098 in]

### Usage Conditions

Operating Temperature Range	-55 – 90 °C[-67 – 194 °F]
-----------------------------	---------------------------

### Operation/Application

Circuit Application	Power & Signal
---------------------	----------------

### Packaging Features

Packaging Method	Reel
Packaging Quantity	5000

### Other

Wire Type	Regular Wire
Comment	Leading Pin (1.8mm longer than standard pins)

### Product Compliance

[For compliance documentation, visit the product page on TE.com>](#)

EU RoHS Directive 2011/65/EU	Compliant
EU ELV Directive 2000/53/EC	Compliant
China RoHS 2 Directive MIIT Order No 32, 2016	No Restricted Materials Above Threshold
EU REACH Regulation (EC) No. 1907/2006	Current ECHA Candidate List: JUNE 2022 (224) Candidate List Declared Against: JAN 2022 (223)

SVHC > Threshold:  
Not Yet Reviewed

Halogen Content

Low Halogen - Br, Cl, F, I < 900 ppm per homogenous material. Also BFR/CFR/PVC Free

Solder Process Capability

Not applicable for solder process capability

Product Compliance Disclaimer

This information is provided based on reasonable inquiry of our suppliers and represents our current actual knowledge based on the information they provided. This information is subject to change. The part numbers that TE has identified as EU RoHS compliant have a maximum concentration of 0.1% by weight in homogenous materials for lead, hexavalent chromium, mercury, PBB, PBDE, DBP, BBP, DEHP, DIBP, and 0.01% for cadmium, or qualify for an exemption to these limits as defined in the Annexes of Directive 2011/65/EU (RoHS2). Finished electrical and electronic equipment products will be CE marked as required by Directive 2011/65/EU. Components may not be CE marked. Additionally, the part numbers that TE has identified as EU ELV compliant have a maximum concentration of 0.1% by weight in homogenous materials for lead, hexavalent chromium, and mercury, and 0.01% for cadmium, or qualify for an exemption to these limits as defined in the Annexes of Directive 2000/53/EC (ELV). Regarding the REACH Regulation, the information TE provides on SVHC in articles for this part number is based on the latest European Chemicals Agency (ECHA) 'Guidance on requirements for substances in articles' posted at this URL: <https://echa.europa.eu/guidance-documents/guidance-on-reach>

## Compatible Parts



TE Part # 2305570-1  
TERMINAL CUTTER, SIDE FEED



TE Part # 2151023-1  
OCEAN\_2.0\_Applicator-S-080F1200



TE Part # 2-2151023-1  
OCEAN\_2.0\_Applicator-S-080F1200



TE Part # 2-2151023-2  
OCEAN\_2.0\_Applicator-S-080F1200




TE Part # 2151023-2  
OCEAN\_2.0\_Applicator-S-080F1200



TE Part # 5-2151023-1  
OCEAN\_2.0\_Applicator-S-080F1200



TE Part # 5-2151023-2  
OCEAN\_2.0\_Applicator-S-080F1200



**KIT**  
REPRESENTATION ONLY

TE Part # 7-2151023-7  
OCEAN\_2.0\_SPARE\_PART\_KIT-080F1200

Also in the Series | **AMP Type III+**



Insertion & Extraction Tools(4)

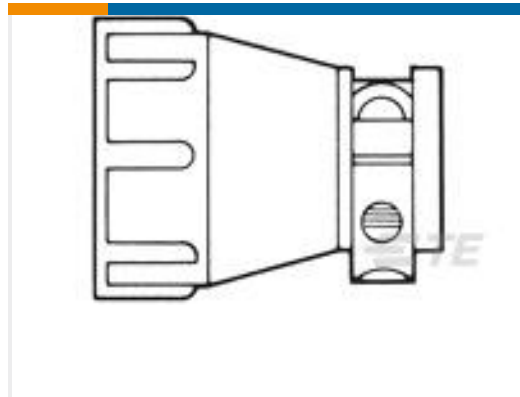


Power Contacts(414)

### Customers Also Bought



TE Part #182917-1  
CPC EMEA



TE Part #1-206062-7  
CABLE CLAMP KIT, BULK PKG



TE Part #58495-1  
PRO CRIMPER ASSY MULTIMATE



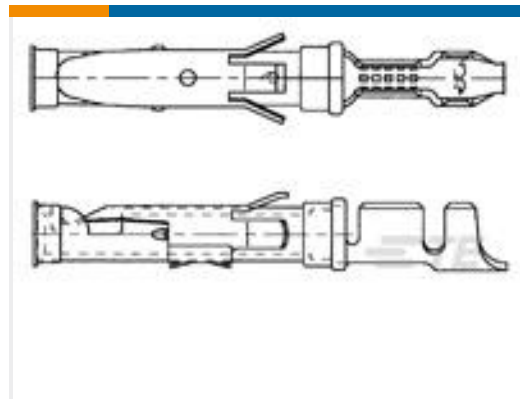
TE Part #539972-1  
EXTRACTION TOOL



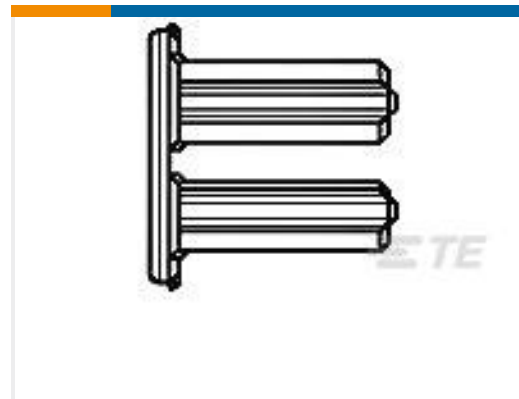
TE Part #828922-1  
2,5MM CAVITY PLUG FOR 5,4MM DI



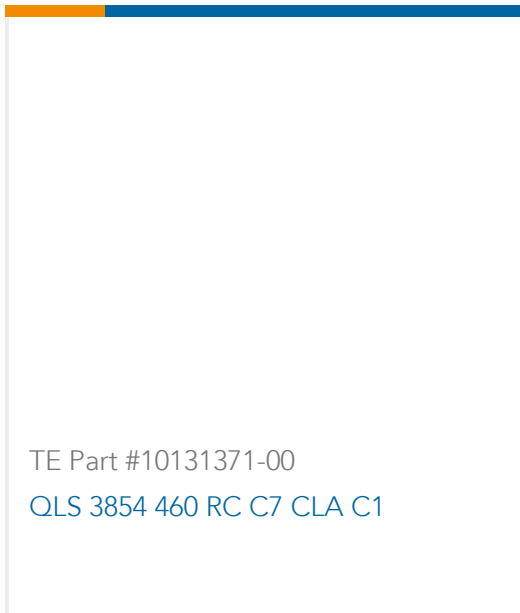
TE Part #206903-2  
SEALING CAP ASSY,SZ 11,CPC



TE Part #163084-1  
RECEPTACLE



TE Part #968271-1  
2. KONT-SICHERUNG 6P



TE Part #10131371-00  
QLS 3854 460 RC C7 CLA C1

### Documents

**Product Drawings**  
062 PIN ASS. TYP3+

English

### CAD Files

3D PDF

3D

Customer View Model

ENG\_CVM\_CVM\_163766-1\_AT.2d\_dxf.zip



English

Customer View Model

[ENG\\_CVM\\_CVM\\_163766-1\\_AT.3d\\_igs.zip](#)

English

Customer View Model

[ENG\\_CVM\\_CVM\\_163766-1\\_AT.3d\\_stp.zip](#)

English

By downloading the CAD file I accept and agree to the [Terms and Conditions](#) of use.

## Product Specifications

[Product Specification](#)

English