

SIAMEZE

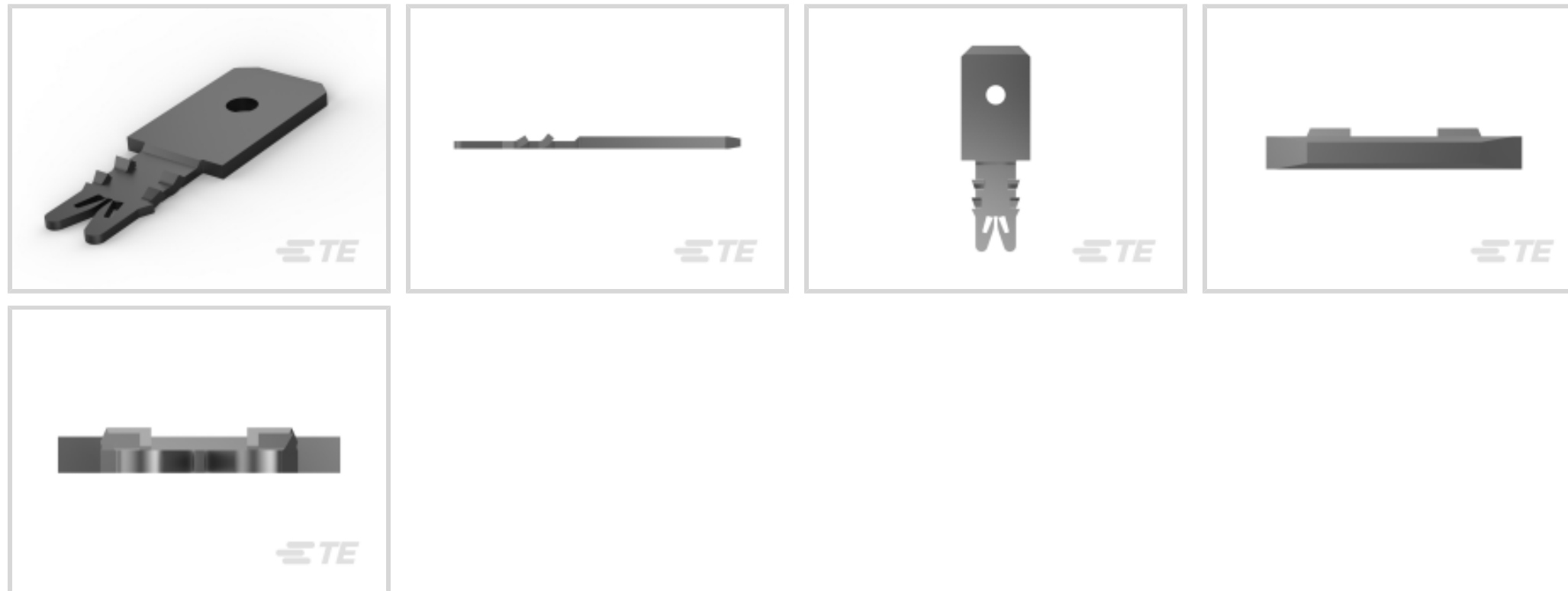
TE Internal #: 1601002-2

Magnet Wire Terminals, Tab, Mating Tab Width .25 in [6.35 mm], .16 – 1.02 mm Magnet Wire, 34 – 18 AWG Magnet Wire, SIAMEZE

[View on TE.com >](#)



Terminals & Splices > Magnet Wire Terminals



Magnet Wire Terminal Type: **Tab**

Mating Tab Width: **6.35 mm [.25 in]**

Mating Tab Thickness: **.81 mm [.032 in]**

Magnet Wire Size: **34 – 18 AWG**

Features

Product Type Features

Compatible With Discrete Wire Type	Magnet Wire, Solid
------------------------------------	--------------------

Contact Features

Magnet Wire Terminal Type	Tab
Mating Tab Width	6.35 mm[.25 in]
Mating Tab Thickness	.81 mm[.032 in]
Terminal Plating Material	Tin
Terminal Orientation	Straight

Termination Features

Termination Method to Wire & Cable	Insulation Displacement (IDC)
------------------------------------	-------------------------------

Mechanical Attachment

Contact Mating Retention Type	Barbs, Hole
-------------------------------	-------------

Dimensions

Terminal Height	8.38 mm[.33 in]
Magnet Wire Size	34 – 18 AWG
Stock Thickness (Magnet Wire Side)	.51 mm[.02 in]



Overall Product Length 18.92 mm[.745 in]

Usage Conditions

Insulation Option Uninsulated

Operation/Application

Compatible With Wire Base Material Copper

Packaging Features

Packaging Quantity 2000

Packaging Method Reel

Other

Comment Inserted height above the pocket is 10.54 mm [.415 in.], Inserted height above the pocket is 10.54mm [.415]., Magnet wire 30 AWG or smaller also requires a wrap post per P/N 1601447, Recommended Pocket P /N 1601425

Product Compliance

[For compliance documentation, visit the product page on TE.com>](#)

EU RoHS Directive 2011/65/EU Compliant

EU ELV Directive 2000/53/EC Compliant

China RoHS 2 Directive MIIT Order No 32, 2016 No Restricted Materials Above Threshold

EU REACH Regulation (EC) No. 1907/2006
 Current ECHA Candidate List: JUNE 2022 (224)
 Candidate List Declared Against: JAN 2022 (223)
 SVHC > Threshold:
 Not Yet Reviewed

Halogen Content Low Halogen - Br, Cl, F, I < 900 ppm per homogenous material. Also BFR/CFR/PVC Free

Solder Process Capability Not applicable for solder process capability

Product Compliance Disclaimer

This information is provided based on reasonable inquiry of our suppliers and represents our current actual knowledge based on the information they provided. This information is subject to change. The part numbers that TE has identified as EU RoHS compliant have a maximum concentration of 0.1% by weight in homogenous materials for lead, hexavalent chromium, mercury, PBB, PBDE, DBP, BBP, DEHP, DIBP, and 0.01% for cadmium, or qualify for an exemption to these limits as defined in the Annexes of Directive 2011/65/EU (RoHS2). Finished electrical and electronic equipment products will be CE marked as required by Directive 2011/65/EU. Components may not be CE marked. Additionally, the part numbers that TE has identified as EU ELV compliant have a maximum concentration of 0.1% by weight in homogenous materials for lead, hexavalent chromium, and mercury, and 0.01% for cadmium, or qualify for an exemption to these limits

as defined in the Annexes of Directive 2000/53/EC (ELV). Regarding the REACH Regulation, the information TE provides on SVHC in articles for this part number is based on the latest European Chemicals Agency (ECHA) 'Guidance on requirements for substances in articles' posted at this URL: <https://echa.europa.eu/guidance-documents/guidance-on-reach>

Compatible Parts



TE Part # 1-1601061-2
TAB,250X032,STD,SMZ



TE Part # 3-1601061-2
TAB,250X032,STD,SMZ



TE Part # 2-1601121-2
TAB PAIR,1.50X0.81,FINESMZ



TE Part # 1601035-2
TAB,187X032,STD,SMZ



TE Part # 1601040-1
SIAMEZE TERMINALS



TE Part # 2-1601003-1
131-005-000=TAB,250X032,STDSMZ



TE Part # 2-1601139-2
TAB,250 X 032,MED,SMZ



TE Part # 2-284937-1
TAB SIAMEZE CONTACT .250" x.03



TE Part # 2348504-2
STD RANGE WIRE TO .250 X .032 TAB SMZ



TE Part # 293231-1
MULTI BARB SIAMEZE TERMINAL STD RANGE




TE Part # 4-1601110-2
131-181-014=TAB,1.2X.81,STDSMZ



TE Part # 1601425
531-007-000=POCKET SPECIFICATION

Also in the Series | SIAMEZE

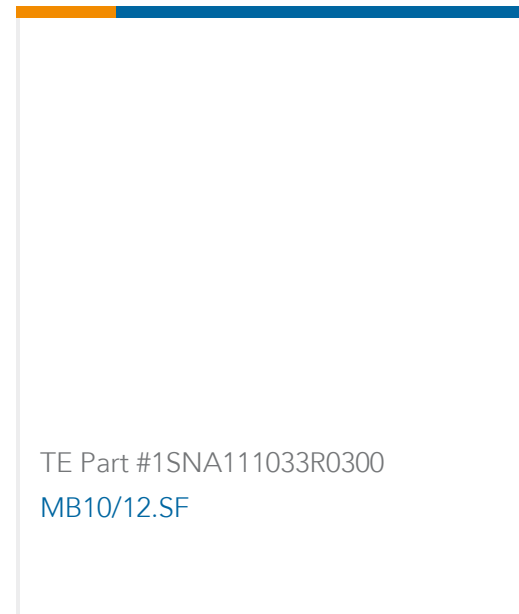
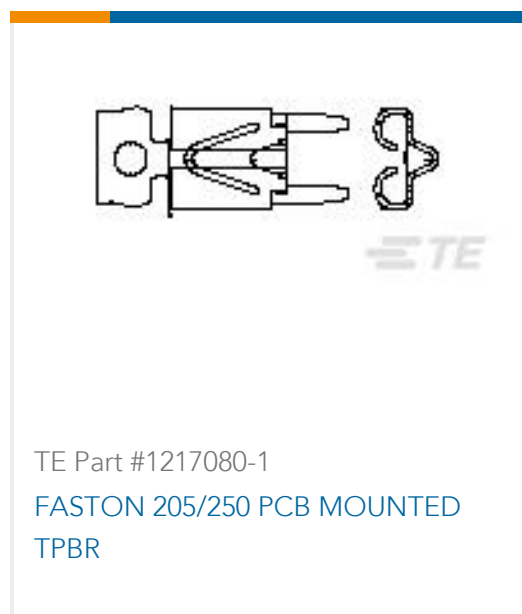


Insertion & Extraction Tools(1)



Magnet Wire Terminals(196)

Customers Also Bought



Documents

Product Drawings

[131-055-002=TAB,250X032,STDSMZ](#)

English

[131-055-002=TAB,250X032,STDSMZ](#)

English

CAD Files

3D PDF

3D

Customer View Model

[ENG_CVM_CVM_1601002-2_G.2d_dxf.zip](#)

English

Customer View Model

[ENG_CVM_CVM_1601002-2_G.3d_igs.zip](#)

English

Customer View Model

[ENG_CVM_CVM_1601002-2_G.3d_stp.zip](#)

English

Customer View Model

[ENG_CVM_1601002-2_D2.3d_igs.zip](#)

English

Customer View Model

[ENG_CVM_1601002-2_D2.3d_stp.zip](#)

English

Customer View Model

[ENG_CVM_1601002-2_D2.2d_dxf.zip](#)

English



3D PDF

English

By downloading the CAD file I accept and agree to the [Terms and Conditions](#) of use.

Datasheets & Catalog Pages

[1654742_HOUSEHOLD_APPLIANCES_RAST5](#)

English

Magnet Wire Terminals & Splices

English

[1-1773702-7_IDC_Magnet_Wire](#)

English

Product Specifications

[Application Specification](#)

English

Product Environmental Compliance

[TE Material Declaration](#)

English

Agency Approvals

[UL Report](#)

English